



US00D884435S

(12) **United States Design Patent**
Campbell

(10) **Patent No.:** **US D884,435 S**

(45) **Date of Patent:** **** May 19, 2020**

- (54) **CONTAINER**
- (71) Applicant: **Camcal Enterprises, LLC**, Phoenix, AZ (US)
- (72) Inventor: **Matthew T. Campbell**, Cave Creek, AZ (US)
- (73) Assignee: **Camcal Enterprises, LLC**, Phoenix, AZ (US)
- (**) Term: **15 Years**
- (21) Appl. No.: **29/712,701**
- (22) Filed: **Nov. 11, 2019**

2,163,568 A * 6/1939 Schlumbohm F25D 3/08
62/373

2,889,065 A 6/1959 Lawlor
2,963,187 A 12/1960 Bramming
3,120,319 A 2/1964 Buddrus
3,229,840 A * 1/1966 Filleul B65D 1/06
215/2

(Continued)

FOREIGN PATENT DOCUMENTS

DE 4126215 A1 2/1993
DE 102004025620 A1 2/2006

(Continued)

OTHER PUBLICATIONS

Back2Tap, [online], Reusable Bottles posted on Jan. 6, 2011, retrieved on Jan. 28, 2019. Retrieved from, <URL: <http://www.back2tap.com/tag/stainless-steel-water-bottles/>>, 3 pages.

(Continued)

Primary Examiner — Michael A. Pratt
(74) *Attorney, Agent, or Firm* — Quarles & Brady LLP

(57) **CLAIM**

The ornamental design for a container, as shown and described.

DESCRIPTION

FIG. 1 is a front, bottom perspective view of a container showing the new design;
 FIG. 2 is a front elevational view thereof;
 FIG. 3 is a left side view thereof; and,
 FIG. 4 is a bottom plan view thereof.
 The dash-dash-dash broken lines are included for the purpose of illustrating portions that form no part of the claimed design. The dash-dot-dash lines are included for the purpose of illustrating boundary lines and form no part of the claimed design.

1 Claim, 3 Drawing Sheets

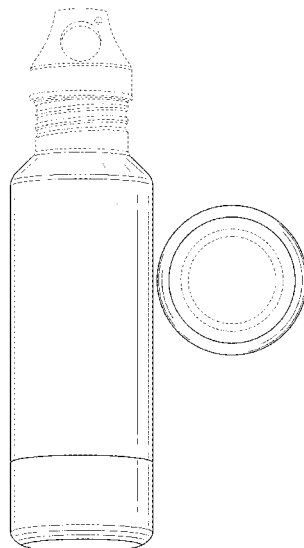
Related U.S. Application Data

- (63) Continuation of application No. 29/669,218, filed on Nov. 6, 2018, now Pat. No. Des. 866,270, which is a continuation of application No. 15/584,013, filed on May 1, 2017, now Pat. No. 10,118,735, which is a continuation of application No. 15/362,540, filed on Nov. 28, 2016, now Pat. No. 9,637,270, which is a continuation of application No. 14/153,688, filed on Jan. 13, 2014, now Pat. No. 9,505,527.
- (51) **LOC (12) Cl.** **07-01**
- (52) **U.S. Cl.**
USPC **D7/605**
- (58) **Field of Classification Search**
USPC D7/605, 629; D9/500–504, 549, 559, D9/574, 575
CPC B65D 81/38; B65D 1/02; B65D 41/04; A47G 23/02
See application file for complete search history.

References Cited

U.S. PATENT DOCUMENTS

441,228 A 11/1890 Cherbonnier
460,918 A 10/1891 Kraetz



(56)

References Cited

U.S. PATENT DOCUMENTS

3,308,980	A	3/1967	Taylor	D696,945	S	1/2014	Newman
3,335,891	A	8/1967	Bailey	D699,516	S	2/2014	Kim et al.
4,444,324	A	4/1984	Grenell	D700,802	S	3/2014	Miller
4,510,769	A	4/1985	McClellan, Jr.	D700,808	S	3/2014	Eyal
D279,346	S	6/1985	Ruxton	D702,086	S	4/2014	Thurlow
4,690,300	A	9/1987	Woods	D702,092	S	4/2014	Mettler et al.
4,768,664	A	9/1988	Zimmermann	D702,506	S	4/2014	Mettler et al.
4,811,858	A	3/1989	Augur	D705,063	S	5/2014	Weiss
4,823,974	A	4/1989	Crosser	D706,032	S	6/2014	Roth et al.
D321,628	S	11/1991	Kobayashi et al.	D710,155	S	8/2014	Tatsukawa
5,186,350	A	2/1993	McBride	D716,653	S	11/2014	Balembos
5,213,215	A	5/1993	Prevot	D724,385	S	3/2015	Hurley et al.
5,261,554	A	11/1993	Forbes	D725,968	S	4/2015	George
5,417,327	A	5/1995	Saumure	D726,476	S	4/2015	Ercanbrack
5,635,232	A	6/1997	Wallace	D727,171	S	4/2015	Marina et al.
5,695,090	A	12/1997	Burdick	D727,671	S	4/2015	Gamelli
5,745,626	A	4/1998	Duck et al.	D729,019	S	5/2015	Kilduff et al.
5,904,267	A	5/1999	Thompson	D736,563	S	8/2015	George
D410,548	S	6/1999	Chomik	D737,144	S	8/2015	Hughes et al.
5,975,337	A	11/1999	Hadley	D738,692	S	9/2015	Kilduff et al.
5,992,677	A	11/1999	Ebine	D740,609	S	10/2015	Ayres
6,427,863	B1	8/2002	Nichols	D741,655	S	10/2015	Whelan et al.
6,467,644	B1	10/2002	Yeh	D743,741	S	11/2015	Itzhaki
6,604,649	B1	8/2003	Campi	D758,132	S	6/2016	Breit
D495,208	S	8/2004	Putnam	D758,800	S	6/2016	Hayslett et al.
6,793,076	B1	9/2004	Luo et al.	D761,624	S	7/2016	McLean et al.
D512,874	S	12/2005	Poulson et al.	D771,357	S	11/2016	Brewer
D543,791	S	6/2007	Goto et al.	D772,014	S	11/2016	Ayres
D547,610	S	7/2007	Edelstein et al.	9,505,527	B1	11/2016	Campbell
D553,914	S	10/2007	Wahl	D774,837	S	12/2016	Seiders et al.
D573,390	S	7/2008	Ablo	D779,273	S	2/2017	Lee et al.
D586,186	S	2/2009	Bhavnani	D779,323	S	2/2017	Masrou
D604,561	S	11/2009	Chisholm	D779,881	S	2/2017	Lee et al.
D614,918	S	5/2010	Chisholm	D780,530	S	3/2017	Seiders et al.
D615,823	S	5/2010	Gilbert	D780,531	S	3/2017	Seiders et al.
D616,743	S	6/2010	Cresswell et al.	D780,532	S	3/2017	Seiders et al.
D619,418	S	7/2010	Nezu et al.	D780,533	S	3/2017	Seiders et al.
D621,220	S	8/2010	Lown et al.	D781,662	S	3/2017	Seiders et al.
D624,362	S	9/2010	Wahl	D782,881	S	4/2017	Seiders et al.
D626,416	S	11/2010	Cresswell et al.	D783,367	S	4/2017	Seiders et al.
D627,227	S	11/2010	Andis	D783,368	S	4/2017	Seiders et al.
D627,601	S	11/2010	Eyal	D784,775	S	4/2017	Seiders et al.
D628,486	S	12/2010	Lane	D785,412	S	5/2017	Petre
D632,522	S	2/2011	Wahl et al.	D786,012	S	5/2017	Hein et al.
D632,524	S	2/2011	Rosbach et al.	D786,617	S	5/2017	Breit
D633,338	S	3/2011	Rosbach et al.	D787,886	S	5/2017	Cerasani
D635,457	S	4/2011	Lane	D787,893	S	5/2017	Seiders et al.
D640,494	S	6/2011	Frederiksen	D787,894	S	5/2017	Seiders et al.
D648,984	S	11/2011	Gullickson et al.	9,637,270	B2	5/2017	Campbell
D651,853	S	1/2012	Eyal	D788,544	S	6/2017	Seiders et al.
D652,255	S	1/2012	Carland	D789,796	S	6/2017	McSweeney et al.
D652,682	S	1/2012	Eyal	D790,285	S	6/2017	Seiders et al.
D653,081	S	1/2012	George	D791,550	S	7/2017	Marret
D655,581	S	3/2012	Kotani	D794,397	S	8/2017	Seiders et al.
D656,025	S	3/2012	Carreno	D795,019	S	8/2017	Seiders et al.
D657,196	S	4/2012	Beyers, III	D795,020	S	8/2017	Seiders et al.
D658,450	S	5/2012	Ying	D796,261	S	9/2017	Khalifa et al.
D658,944	S	5/2012	Gilbert et al.	D799,898	S	10/2017	Yao
D660,081	S	5/2012	Gilbert	D799,900	S	10/2017	Santos et al.
D661,945	S	6/2012	Eyal	D799,906	S	10/2017	Seiders et al.
D662,767	S	7/2012	Hotell et al.	D799,907	S	10/2017	Seiders et al.
D664,809	S	8/2012	Eyal	D799,908	S	10/2017	Seiders et al.
D670,525	S	11/2012	Fallon et al.	D800,502	S	10/2017	Weernink
D672,609	S	12/2012	Aziz et al.	D803,064	S	11/2017	Marina et al.
D675,882	S	2/2013	Crockett	D803,632	S	11/2017	Seiders et al.
D676,708	S	2/2013	Lane	D804,906	S	12/2017	Diener et al.
D687,677	S	8/2013	Sturgess	D805,852	S	12/2017	Seiders et al.
D689,332	S	9/2013	Krasner	D806,477	S	1/2018	Wray et al.
D691,420	S	10/2013	McIntire	D807,125	S	1/2018	Seiders et al.
D691,849	S	10/2013	Cetera et al.	D808,220	S	1/2018	Burns et al.
D693,170	S	11/2013	Rosbach	D809,344	S	2/2018	Guthrie
D695,069	S	12/2013	Lane	D809,920	S	2/2018	Maple
D695,138	S	12/2013	Ball	D811,817	S	3/2018	Harrington, III et al.
D696,118	S	12/2013	Lindstrom	D811,818	S	3/2018	Wu
D696,900	S	1/2014	George et al.	D813,613	S	3/2018	Wall
				D814,241	S	4/2018	Nickley et al.
				D814,865	S	4/2018	Breit
				D816,411	S	5/2018	Stover
				D817,713	S	5/2018	Lin

(56)

References Cited

U.S. PATENT DOCUMENTS

D817,714 S 5/2018 Breit
 D818,775 S 5/2018 Woodruff
 D819,403 S * 6/2018 Li D7/510
 D820,650 S 6/2018 Seiders et al.
 D821,138 S 6/2018 Silsby et al.
 D823,068 S 7/2018 Seiders et al.
 D823,069 S 7/2018 Seiders et al.
 D824,218 S 7/2018 Seiders et al.
 D828,094 S 9/2018 Jackson et al.
 D828,095 S 9/2018 Jackson et al.
 D829,056 S 9/2018 Wall
 D829,058 S 9/2018 Seiders et al.
 D829,101 S 9/2018 Spivey et al.
 D830,773 S 10/2018 Jacobsen
 D830,774 S * 10/2018 Jacobsen D7/511
 D830,784 S * 10/2018 Moore D7/608
 D831,436 S 10/2018 Seiders et al.
 D834,373 S 11/2018 Spivey et al.
 10,118,735 B2 11/2018 Campbell
 D837,597 S 1/2019 Silsby
 10,384,832 B2 * 8/2019 Johnson B65D 41/0442
 2004/0045972 A1 3/2004 Stokes
 2004/0124192 A1 7/2004 Teller
 2005/0224442 A1 10/2005 White
 2005/0269322 A1 12/2005 Betras et al.
 2007/0051687 A1 3/2007 Olson
 2007/0119517 A1 5/2007 Grace
 2007/0125785 A1 6/2007 Robinson et al.
 2007/0175906 A1 8/2007 Caladrino
 2007/0221693 A1 9/2007 Moore
 2009/0056369 A1 3/2009 Fink et al.
 2009/0266737 A1 10/2009 Cole
 2010/0005828 A1 1/2010 Fedell
 2010/0084362 A1 4/2010 Letchinger et al.
 2010/0288723 A1 11/2010 Mayer
 2011/0011823 A1 1/2011 Moore
 2011/0114588 A1 5/2011 Nowzari
 2011/0204048 A1 * 8/2011 Carino A45F 3/18
 220/4.03
 2012/0145591 A1 6/2012 Ceder

2012/0199548 A1 8/2012 Kitto
 2013/0153591 A1 6/2013 Grimes et al.
 2013/0206717 A1 8/2013 Lane
 2014/0238949 A1 8/2014 Patel
 2015/0021346 A1 1/2015 Cappuccio
 2018/0194518 A1 7/2018 Li et al.
 2018/0194537 A1 * 7/2018 Chan B65D 81/3881

FOREIGN PATENT DOCUMENTS

EP 1452455 A1 9/2004
 FR 1054716 A 2/1954
 JP 2008030773 A 2/2008
 KR 2010000510 U 1/2010
 TW 460607 U 9/2013
 WO 2008063750 A2 5/2008

OTHER PUBLICATIONS

Benefits of Stainless Steel Water Bottles, [online], posted on Mar. 1, 2012, retrieved on Jan. 28, 2019. Retrieved from, <URL: <https://b2bbusinessnews.wordpress.com/2012/03/01/benefits-of-stainless-steel-water-bottles/>>, 3 pages.
 Brewtis the BottleKeeper, [online], posted on Dec. 26, 2013, retrieved on Jan. 28, 2019. Retrieved from, <URL: <http://www.dudeiwanthat.com/gear/food-drink/brewtis-the-bottlekeeper.asp>>, 22 pages.
 EarthLust Stainless Steel Water Bottle, [online], product reviewed on Oct. 17, 2008, retrieved on Jan. 28, 2019. Retrieved from, <URL: <https://www.amazon.com/dp/BOO1DYOCOW?tag=new-best-seller-20>>, 4 pages.
 Neiko 71010 Stainless Steel Sports Water Bottle, [online], published on Nov. 3, 2009, retrieved on Jan. 28, 2019. Retrieved from, <URL: https://www.amazon.com/Eco-Friendly-Mouth-Stainless-Steel-Bottle/dp/B002VDA2AC/ref=sr_1_107?s=sporting-goods&ie=UTF8&qid=1396116064&s%E2%80%A6>, 8 pages.
 Wawabots Personalized Photo Water Bottles, [online], published on Nov. 30, 2011, retrieved on Jan. 28, 2019. Retrieved from, <URL: <https://inhabitat.com/inhabitats/product-review-wawabots-personalized-photo-water-bottles/>>, 7 pages.

* cited by examiner

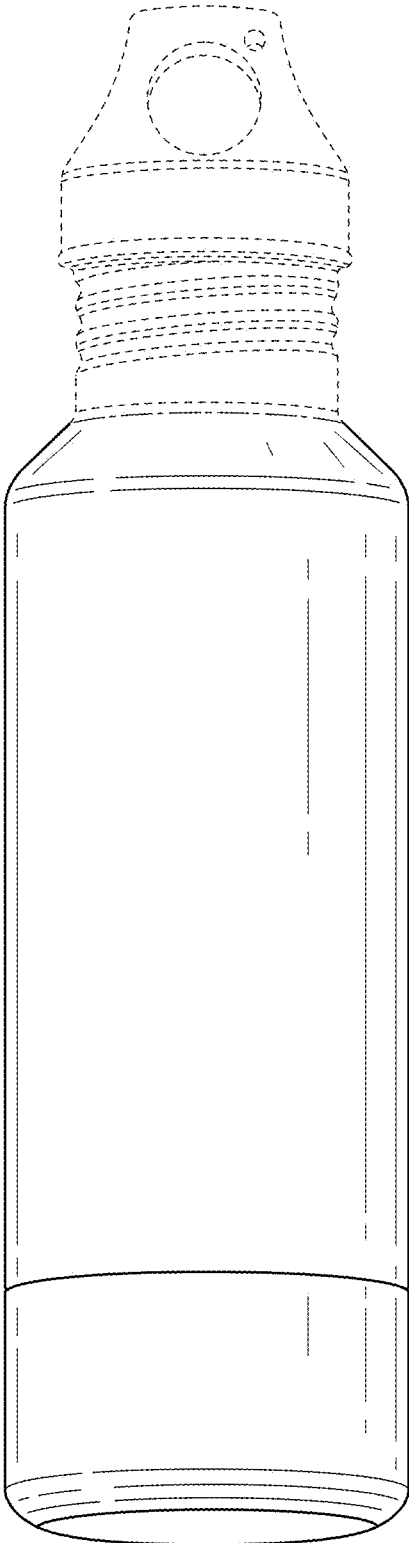


FIG. 1

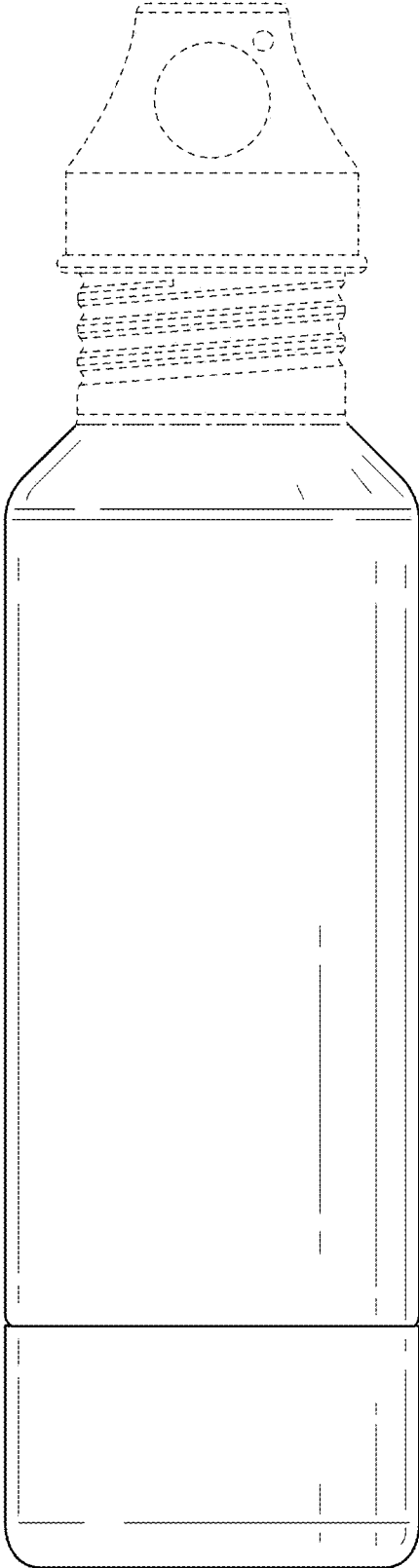


FIG. 2

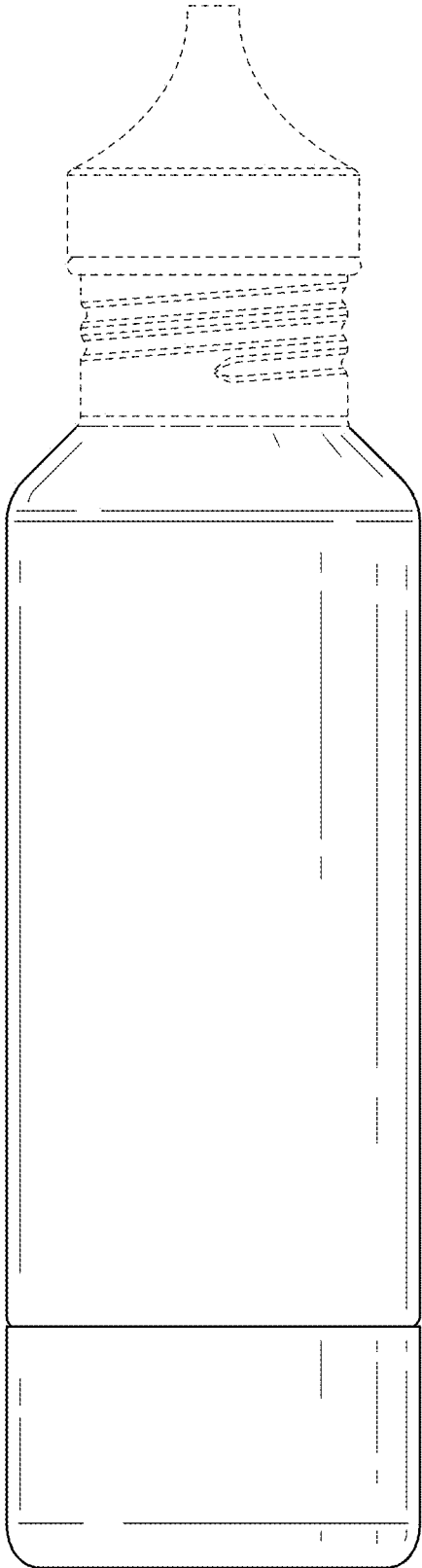


FIG. 3

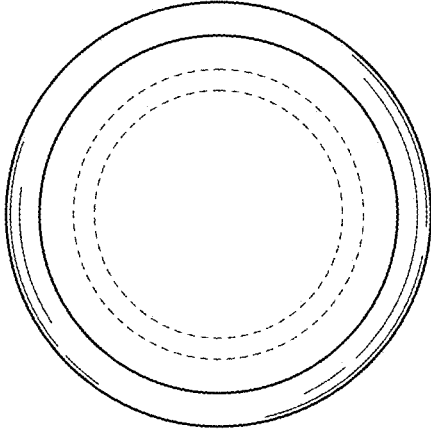


FIG. 4