



US00D796326S

(12) **United States Design Patent**  
**Ichikawa et al.**

(10) **Patent No.:** **US D796,326 S**  
(45) **Date of Patent:** **\*\* Sep. 5, 2017**

- (54) **CAP FOR PACKAGING CONTAINER**
- (71) Applicant: **HOSOKAWA YOKO CO., LTD.**  
Tokyo (JP)
- (72) Inventors: **Toru Ichikawa**, Tokyo (JP); **Tomonari Shinohara**, Tokyo (JP)
- (73) Assignee: **Hosokawa Yoko Co., Ltd.**, Tokyo (JP)
- (\*\*) Term: **14 Years**
- (21) Appl. No.: **29/524,098**
- (22) Filed: **Apr. 16, 2015**
- (30) **Foreign Application Priority Data**

- Oct. 20, 2014 (JP) ..... 2014-023439
- (51) **LOC (10) Cl.** ..... **09-07**
- (52) **U.S. Cl.**  
USPC ..... **D9/453**; D9/434; D9/435
- (58) **Field of Classification Search**  
USPC ..... D3/202, 273, 275, 294; D7/387, 391,  
D7/397, 412, 415; D8/303, 321;  
D9/435, 439, 440, 443, 445, 447, 449,  
D9/452, 453, 454, 499, 520, 558, 705,  
D9/708, 709, 710; D19/70, 71, 93, 96,  
D19/97, 163, 194; D22/82; D11/152;  
D21/259, 260; 215/41, 40, 220, 222,  
215/253, 271, 373, 375, 381; 220/254.2,  
220/254.3, 254.5, 254.7, 254.9, 260, 264,  
220/266, 285, 368, 521, 711, 714, 811,  
220/812, 835, 837; 222/153.11-153.14,  
222/383.1, 383.2, 383.3, 383.4  
CPC ..... A62C 31/02; B65D 1/02; B65D 1/0233;  
B65D 1/08; B65D 1/10; B65D 23/00;  
B65D 23/08; B65D 23/10; B65D 25/00;  
B65D 25/40; B65D 25/42; B65D 25/46;  
B65D 25/48; B65D 25/77; B65D 39/00;  
B65D 39/0047; B65D 41/00; B65D  
43/00; B65D

(Continued)

- (56) **References Cited**  
U.S. PATENT DOCUMENTS  
5,180,073 A \* 1/1993 Fay ..... B65D 39/0023  
215/261  
D419,071 S \* 1/2000 Peters ..... D9/449  
(Continued)

- FOREIGN PATENT DOCUMENTS  
KR 300839330.0000 \* 2/2016  
SE 66885-0001 \* 5/2001

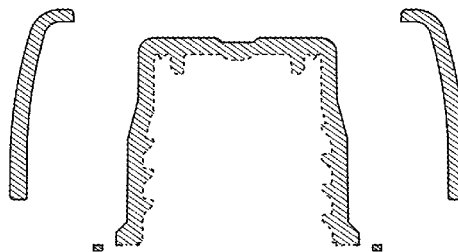
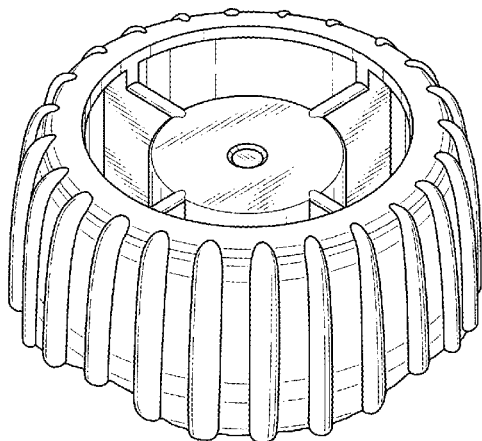
- OTHER PUBLICATIONS  
My Lil Pouch Choke Safe Lid: Announced Mar. 12, 2016 [online],  
site visited [Jun. 21, 2016. Available from Internet URL: <http://www.mylilpouch.com.au/product/choke-safe-lids-5-pack/>.  
(Continued)

*Primary Examiner* — Thomas Johannes  
*Assistant Examiner* — Catherine Posthauer  
(74) *Attorney, Agent, or Firm* — Millen White Zelano & Branigan, P.C.

- (57) **CLAIM**  
The ornamental design for a cap for packaging container, as shown and described.

**DESCRIPTION**  
FIG. 1 is a top perspective view of a cap for packaging container showing our new design;  
FIG. 2 is a bottom perspective view thereof;  
FIG. 3 is a front view thereof; the rear view, right side view and left side view are the same as the front view;  
FIG. 4 is a top plan view thereof;  
FIG. 5 is a bottom plan view thereof; and,  
FIG. 6 is a sectional view taken in a the direction of line 6-6 on FIG. 4.  
The broken lines are shown for the purpose of illustrating parts of the article that form no part of the claim.

**1 Claim, 3 Drawing Sheets**



(58) **Field of Classification Search**

CPC ..... 43/02; B65D 51/02; B65D 51/04; B05B  
 17/00; B05B 15/002; A45D 34/00; A45D  
 34/042; A45D 2040/0006; A45D  
 2040/093

See application file for complete search history.

(56) **References Cited**

U.S. PATENT DOCUMENTS

D445,678 S \* 7/2001 Malmborg ..... D9/434  
 D445,679 S \* 7/2001 Malmborg ..... D9/434  
 D445,681 S \* 7/2001 Kimble ..... D9/434  
 D542,133 S \* 5/2007 Haber ..... D9/453  
 D547,657 S 7/2007 Tacchella  
 D675,096 S \* 1/2013 Obrist ..... D9/453  
 D675,526 S \* 2/2013 Obrist ..... D9/453  
 D679,597 S \* 4/2013 Tamarindo ..... D9/443  
 D681,462 S \* 5/2013 Taylor ..... D9/453  
 D684,055 S \* 6/2013 Kwon ..... D9/452  
 D684,057 S \* 6/2013 Kwon ..... D9/453

D684,058 S \* 6/2013 Kwon ..... D9/453  
 8,528,757 B2 9/2013 Bisio  
 D693,220 S \* 11/2013 Luo ..... D9/439  
 D705,061 S \* 5/2014 Jo ..... D9/435  
 D705,062 S \* 5/2014 Jo ..... D9/435  
 D712,266 S \* 9/2014 Romer ..... D9/454  
 D712,743 S 9/2014 Neputy et al.  
 D712,744 S 9/2014 Neputy et al.  
 D735,038 S \* 7/2015 Tamarindo ..... D9/454  
 D752,979 S \* 4/2016 Schulz ..... D9/454  
 2009/0223963 A1 9/2009 Bisio  
 2012/0211460 A1 8/2012 Tamarindo  
 2014/0048536 A1 2/2014 Bisio

OTHER PUBLICATIONS

Sinchies Choke Proof Lides: Announced Apr. 12, 2015 [online], site  
 visited [Jun. 22, 2016]. Available from Internet URL: <http://moowoo.com.au/shop/sinchies-choke-proof-lids-x-4>.\*

\* cited by examiner

FIG. 1

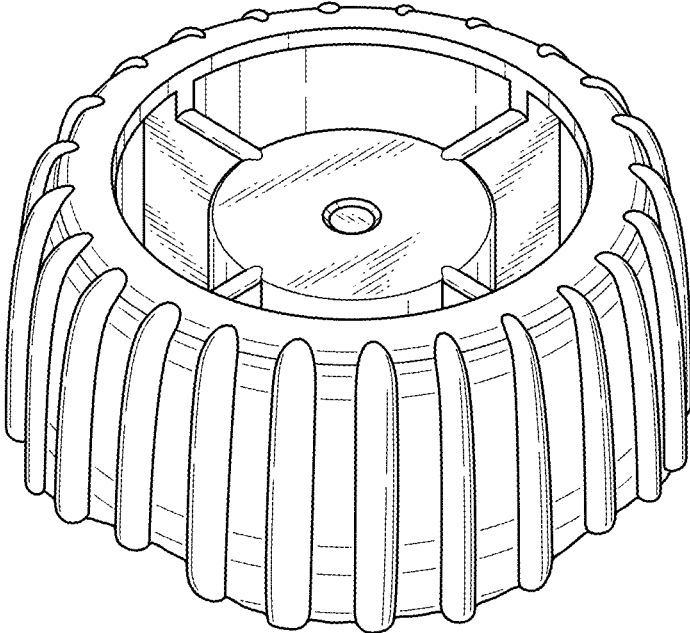


FIG. 2

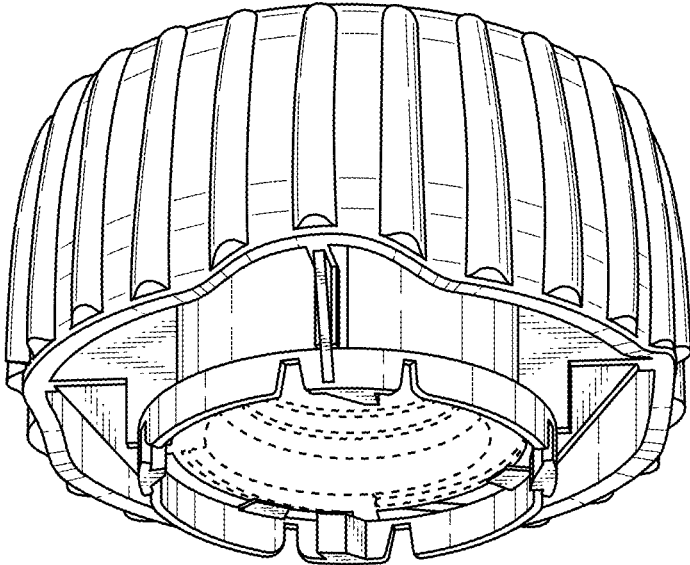


FIG. 3

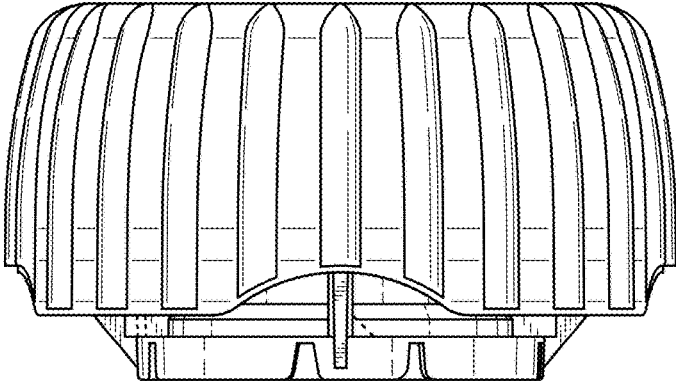


FIG. 4

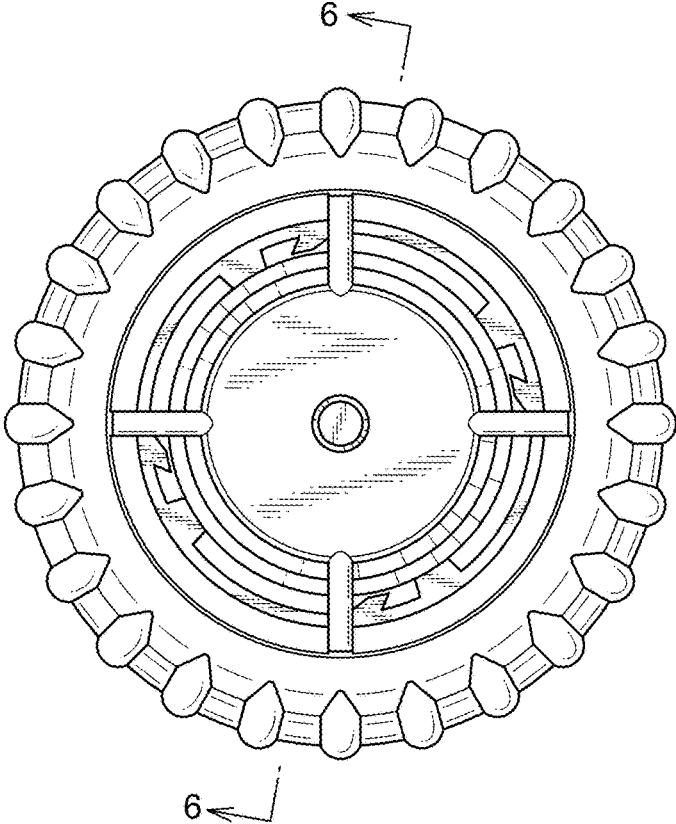


FIG. 5

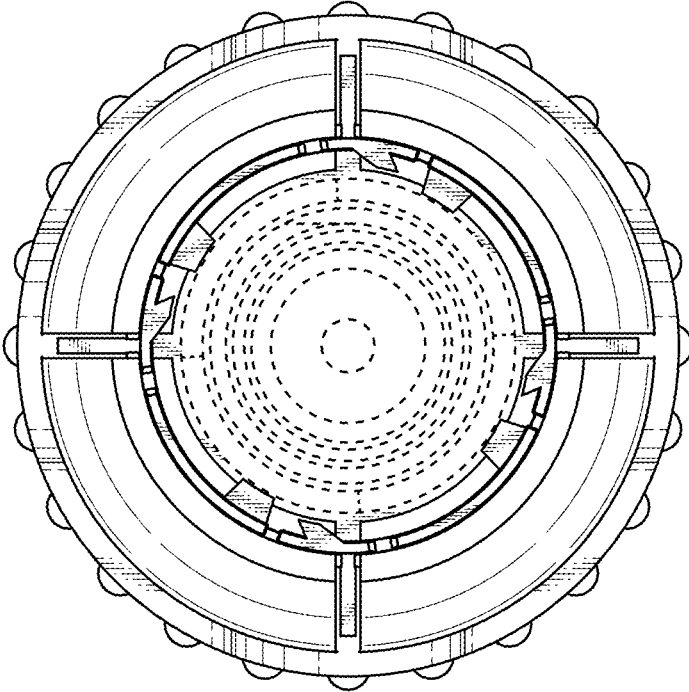


FIG. 6

