

(19) World Intellectual Property Organization  
International Bureau



(43) International Publication Date  
4 July 2002 (04.07.2002)

PCT

(10) International Publication Number  
WO 02/051456 A3

- (51) International Patent Classification<sup>7</sup>: A61L 15/18, 15/34, 15/46, 15/40, 15/20
- (21) International Application Number: PCT/US01/50274
- (22) International Filing Date:  
20 December 2001 (20.12.2001)
- (25) Filing Language: English
- (26) Publication Language: English
- (30) Priority Data:  
09/747,382 22 December 2000 (22.12.2000) US
- (71) Applicant: KIMBERLY-CLARK WORLDWIDE, INC. [US/US]; 401 N. Lake Street, Neenah, WI 54956 (US).
- (72) Inventors: TYRRELL, David, John; 415 South Olde Oneida Street, Apt. 318, Appleton, WI 54911 (US).

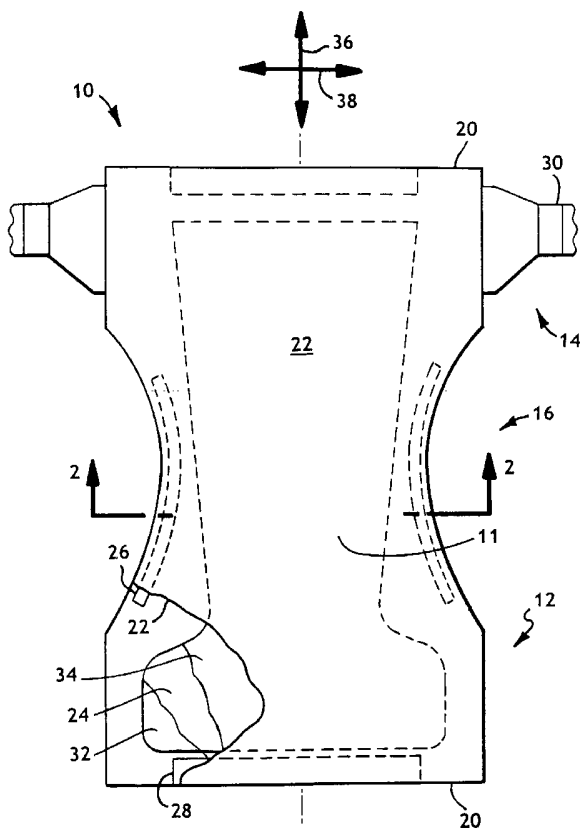
BUHROW, Chantel, Spring; N6448 State Road 49, Weyauwega, WI 54983 (US). LANGE, Beth, Anne; 415 South Olde Oneida Street, Apt. 319, Appleton, WI 54911 (US). KRZYSIK, Duane, Gerard; 1112 E. Melrose Avenue, Appleton, WI 54911 (US). BROCK, Earl, David; 645 Highview Lane, Kimberly, WI 54136 (US). CAHALL, James, Louis; N241 Woodstock Lane, Appleton, WI 54915 (US). LIN, Samuel, Qcheng; 76 Brown Circle, Paramus, NJ 07652 (US). WEINKAUF, Ronni, Lynn; 535 Prospect Avenue, Oradell, NJ 07649 (US). SANTHANAN, Uma; 14 North Browning Avenue, Tenafly, NJ 07670 (US).

(74) Agents: DUDKOWSKI, Alyssa, A. et al.; KIMBERLY-CLARK WORLDWIDE, INC., 401 N. Lake Street, Neenah, WI 54956 (US).

(81) Designated States (*national*): AE, AG, AL, AM, AT, AU, AZ, BA, BB, BG, BR, BY, BZ, CA, CH, CN, CO, CR, CU, CZ, DE, DK, DM, DZ, EC, EE, ES, FI, GB, GD, GE, GH,

[Continued on next page]

(54) Title: ABSORBENT ARTICLES WITH NON-AQUEOUS COMPOSITIONS CONTAINING BOTANICALS



(57) Abstract: The present invention relates to absorbent articles including non-aqueous compositions for protecting the barrier function of the skin. The compositions can be applied to the bodyfacing surfaces of absorbent articles so that the compositions come into contact with the skin. The compositions of the invention have improved stability on the bodyfacing surfaces after processing. The compositions of the invention provide several benefits including prevention and alleviation of skin irritations associated with the use of absorbent articles. The compositions can include emollients, viscosity enhancers and extracted botanical actives.



WO 02/051456 A3



GM, HR, HU, ID, IL, IN, IS, JP, KE, KG, KP, KR, KZ, LC, LK, LR, LS, LT, LU, LV, MA, MD, MG, MK, MN, MW, MX, MZ, NO, NZ, OM, PH, PL, PT, RO, RU, SD, SE, SG, SI, SK, SL, TJ, TM, TN, TR, TT, TZ, UA, UG, UZ, VN, YU, ZA, ZM, ZW.

**(84) Designated States (regional):** ARIPO patent (GH, GM, KE, LS, MW, MZ, SD, SL, SZ, TZ, UG, ZM, ZW), Eurasian patent (AM, AZ, BY, KG, KZ, MD, RU, TJ, TM), European patent (AT, BE, CH, CY, DE, DK, ES, FI, FR, GB, GR, IE, IT, LU, MC, NL, PT, SE, TR), OAPI patent (BF, BJ, CF, CG, CI, CM, GA, GN, GQ, GW, ML, MR, NE, SN, TD, TG).

**Declarations under Rule 4.17:**

— *as to applicant's entitlement to apply for and be granted a patent (Rule 4.17(ii)) for the following designations AE, AG, AL, AM, AT, AU, AZ, BA, BB, BG, BR, BY, BZ, CA, CH, CN, CO, CR, CU, CZ, DE, DK, DM, DZ, EC, EE, ES, FI, GB, GD, GE, GH, GM, HR, HU, ID, IL, IN, IS, JP, KE, KG, KP, KR, KZ, LC, LK, LR, LS, LT, LU, LV, MA, MD, MG,*

*MK, MN, MW, MX, MZ, NO, NZ, OM, PH, PL, PT, RO, RU, SD, SE, SG, SI, SK, SL, TJ, TM, TN, TR, TT, TZ, UA, UG, UZ, VN, YU, ZA, ZM, ZW, ARIPO patent (GH, GM, KE, LS, MW, MZ, SD, SL, SZ, TZ, UG, ZM, ZW), Eurasian patent (AM, AZ, BY, KG, KZ, MD, RU, TJ, TM), European patent (AT, BE, CH, CY, DE, DK, ES, FI, FR, GB, GR, IE, IT, LU, MC, NL, PT, SE, TR), OAPI patent (BF, BJ, CF, CG, CI, CM, GA, GN, GQ, GW, ML, MR, NE, SN, TD, TG)*

— *as to the applicant's entitlement to claim the priority of the earlier application (Rule 4.17(iii)) for all designations*

**Published:**

— *with international search report*

**(88) Date of publication of the international search report:**

5 June 2003

*For two-letter codes and other abbreviations, refer to the "Guidance Notes on Codes and Abbreviations" appearing at the beginning of each regular issue of the PCT Gazette.*

INTERNATIONAL SEARCH REPORT

International Application No  
PCT/US 01/50274

A. CLASSIFICATION OF SUBJECT MATTER

IPC 7 A61L15/18 A61L15/34 A61L15/46 A61L15/40 A61L15/20

According to International Patent Classification (IPC) or to both national classification and IPC

B. FIELDS SEARCHED

Minimum documentation searched (classification system followed by classification symbols)

IPC 7 A61L A61K

Documentation searched other than minimum documentation to the extent that such documents are included in the fields searched

Electronic data base consulted during the international search (name of data base and, where practical, search terms used)

EPO-Internal, WPI Data, COMPENDEX, PAJ

C. DOCUMENTS CONSIDERED TO BE RELEVANT

Category °	Citation of document, with indication, where appropriate, of the relevant passages	Relevant to claim No.
X	WO 00 64503 A (KIMBERLY CLARK CO) 2 November 2000 (2000-11-02)	1,3,4, 6-11,20, 21, 23-28, 30,31, 40, 42-49, 51-54
Y	the whole document	1-15, 20-35, 40-54
X	WO 00 69485 A (PROCTER & GAMBLE) 23 November 2000 (2000-11-23)	19
Y	page 38, line 5 -page 39, line 4; claim 1	1-13,15, 20-33, 35,39-54

Further documents are listed in the continuation of box C.

Patent family members are listed in annex.

° Special categories of cited documents :

- "A" document defining the general state of the art which is not considered to be of particular relevance
- "E" earlier document but published on or after the international filing date
- "L" document which may throw doubts on priority claim(s) or which is cited to establish the publication date of another citation or other special reason (as specified)
- "O" document referring to an oral disclosure, use, exhibition or other means
- "P" document published prior to the international filing date but later than the priority date claimed

- "T" later document published after the international filing date or priority date and not in conflict with the application but cited to understand the principle or theory underlying the invention
- "X" document of particular relevance; the claimed invention cannot be considered novel or cannot be considered to involve an inventive step when the document is taken alone
- "Y" document of particular relevance; the claimed invention cannot be considered to involve an inventive step when the document is combined with one or more other such documents, such combination being obvious to a person skilled in the art.
- "&" document member of the same patent family

Date of the actual completion of the international search

26 September 2002

Date of mailing of the international search report

28. 10. 02

Name and mailing address of the ISA

European Patent Office, P.B. 5818 Patentlaan 2  
NL - 2280 HV Rijswijk  
Tel. (+31-70) 340-2040, Tx. 31 651 epo nl,  
Fax: (+31-70) 340-3016

Authorized officer

Leutner, S

## INTERNATIONAL SEARCH REPORT

International Application No

PCT/US 01/50274

C.(Continuation) DOCUMENTS CONSIDERED TO BE RELEVANT		
Category °	Citation of document, with indication, where appropriate, of the relevant passages	Relevant to claim No.
X	US 6 149 934 A (KIMBERLY CLARK CO) 21 November 2000 (2000-11-21)	19
Y	column 11, line 6 - line 23; claims 1-12	1-15, 20-35, 39-54
	---	
X	WO 00 10500 A (KIMBERLY CLARK CO) 2 March 2000 (2000-03-02)	19
Y	the whole document	1-13,15, 20-33, 35,39-54
	---	
X	WO 00 38747 A (KIMBERLY CLARK CO) 6 July 2000 (2000-07-06)	16,18
	page 6, line 16 - line 26; claims 1-17	
	---	
Y	WO 00 64407 A (KIMBERLY CLARK CO) 2 November 2000 (2000-11-02)	19,39
	formula 5-8; claims 1-54 page 16, line 502 - line 503	
	---	
Y	US 5 091 193 A (NOEL HUGUES ET AL) 25 February 1992 (1992-02-25)	19,39
	column 1, line 6 - line 9	
	---	
A	US 5 525 346 A (ABBOTT LABORATORIES) 11 June 1996 (1996-06-11)	1-13,15, 19-33, 35,39-54
	claims 7,11,12; table 1	
	---	
A	WO 00 71177 A (PROCTER & GAMBLE) 30 November 2000 (2000-11-30)	1-15, 19-35, 39-54
	page 17, line 22 -page 20, line 24	
	---	
A	US 6 051 749 A (SCHULZ ANTHONY A) 18 April 2000 (2000-04-18)	16-18, 36-38
	column 3, line 57 -column 4, line 25	
	-----	

INTERNATIONAL SEARCH REPORT

International application No.  
PCT/US 01/50274

**Box I Observations where certain claims were found unsearchable (Continuation of item 1 of first sheet)**

This International Search Report has not been established in respect of certain claims under Article 17(2)(a) for the following reasons:

- 1.  Claims Nos.: —  
because they relate to subject matter not required to be searched by this Authority, namely:  
see FURTHER INFORMATION sheet PCT/ISA/210
  
- 2.  Claims Nos.:  
because they relate to parts of the International Application that do not comply with the prescribed requirements to such an extent that no meaningful International Search can be carried out, specifically:
  
- 3.  Claims Nos.:  
because they are dependent claims and are not drafted in accordance with the second and third sentences of Rule 6.4(a).

**Box II Observations where unity of invention is lacking (Continuation of item 2 of first sheet)**

This International Searching Authority found multiple inventions in this international application, as follows:

see additional sheet

- 1.  As all required additional search fees were timely paid by the applicant, this International Search Report covers all searchable claims.
  
- 2.  As all searchable claims could be searched without effort justifying an additional fee, this Authority did not invite payment of any additional fee.
  
- 3.  As only some of the required additional search fees were timely paid by the applicant, this International Search Report covers only those claims for which fees were paid, specifically claims Nos.:
  
- 4.  No required additional search fees were timely paid by the applicant. Consequently, this International Search Report is restricted to the invention first mentioned in the claims; it is covered by claims Nos.:

**Remark on Protest**

- The additional search fees were accompanied by the applicant's protest.
- No protest accompanied the payment of additional search fees.

# INTERNATIONAL SEARCH REPORT

International Application No. PCT/US 01 50274

FURTHER INFORMATION CONTINUED FROM PCT/ISA/ 210

This International Searching Authority found multiple (groups of) inventions in this international application, as follows:

1. Claims: 1-15, 20-35, 40-54

The subject-matter of claims 1-15, 20-35 and 40-54 relates to an absorbent article characterized by a composition on at least a portion of the bodyfacing surface that includes extracted botanical active.

2. Claims: 16-18, 36-38

The subject-matter of claims 16-18 and 36-38 relates to an absorbent article characterized by a composition on at least a portion of the bodyfacing surface that includes clay selected from natural and synthetic analogs of natural clay.

3. Claim : 19 and 39

The subject-matter of claims 19 and 39 relates to an absorbent article characterized by a composition on at least a portion of the bodyfacing surface that includes zinc oxide.

INTERNATIONAL SEARCH REPORT

International Application No. PCT/US 01 50274

FURTHER INFORMATION CONTINUED FROM PCT/ISA/ 210

Continuation of Box I.1

Although claims 51-54 are directed to a method of treatment of the human/animal body, the search has been carried out and based on the alleged effects of the compound/composition.

-----  
Continuation of Box I.1

Rule 39.1(iv) PCT - Method for treatment of the human or animal body by therapy

## INTERNATIONAL SEARCH REPORT

Information on patent family members

International Application No

PCT/US 01/50274

Patent document cited in search report		Publication date	Patent family member(s)	Publication date
WO 0064503	A	02-11-2000	US 6287581 B1	11-09-2001
			AU 4491300 A	10-11-2000
			BR 0009982 A	08-01-2002
			CN 1348387 T	08-05-2002
			EP 1173232 A1	23-01-2002
			WO 0064503 A1	02-11-2000
			US 2001014350 A1	16-08-2001
			-----	
WO 0069485	A	23-11-2000	AU 4198199 A	05-12-2000
			AU 4198399 A	05-12-2000
			AU 5033300 A	05-12-2000
			AU 5146500 A	05-12-2000
			AU 6504999 A	05-12-2000
			BR 9917302 A	18-06-2002
			EP 1178845 A1	13-02-2002
			EP 1178846 A1	13-02-2002
			TW 446556 B	21-07-2001
			WO 0069484 A1	23-11-2000
			WO 0069485 A1	23-11-2000
			WO 0069482 A1	23-11-2000
			WO 0069481 A1	23-11-2000
			WO 0069483 A1	23-11-2000
-----				
US 6149934	A	21-11-2000	AU 4489500 A	10-11-2000
			AU 748171 B2	30-05-2002
			AU 6021099 A	14-03-2000
			BR 0008622 A	26-12-2001
			BR 9913236 A	07-05-2002
			CN 1328438 T	26-12-2001
			EP 1173231 A1	23-01-2002
			EP 1107719 A1	20-06-2001
			PL 348227 A1	06-05-2002
			TR 200100587 T2	22-04-2002
			WO 0064502 A1	02-11-2000
			WO 0010500 A1	02-03-2000
			US 6217890 B1	17-04-2001
			-----	
WO 0010500	A	02-03-2000	US 6152906 A	28-11-2000
			US 6149934 A	21-11-2000
			US 6287286 B1	11-09-2001
			US 6448464 B1	10-09-2002
			US 6217890 B1	17-04-2001
			AU 5899299 A	14-03-2000
			AU 748171 B2	30-05-2002
			AU 6021099 A	14-03-2000
			AU 748568 B2	06-06-2002
			AU 6240399 A	14-03-2000
			BR 9913182 A	11-06-2002
			BR 9913236 A	07-05-2002
			BR 9913276 A	02-10-2001
			CN 1324229 T	28-11-2001
			CN 1328438 T	26-12-2001
			EP 1107717 A1	20-06-2001
			EP 1131027 A1	12-09-2001
			EP 1107719 A1	20-06-2001
			JP 2002523141 T	30-07-2002
			JP 2002523142 T	30-07-2002
			PL 348227 A1	06-05-2002



## INTERNATIONAL SEARCH REPORT

Information on patent family members

International Application No

PCT/US 01/50274

Patent document cited in search report		Publication date	Patent family member(s)	Publication date		
WO 0010500	A		PL 348455 A1	20-05-2002		
			TR 200100580 T2	21-01-2002		
			TR 200100581 T2	22-10-2001		
			TR 200100587 T2	22-04-2002		
			TR 200103636 T2	21-06-2002		
			WO 0010498 A1	02-03-2000		
			WO 0010500 A1	02-03-2000		
			WO 0010501 A1	02-03-2000		
			US 6238379 B1	29-05-2001		
			AU 746862 B2	02-05-2002		
			AU 5782299 A	14-03-2000		
			BR 9913181 A	09-10-2001		
			CN 1314800 T	26-09-2001		
			EP 1107716 A1	20-06-2001		
			PL 347938 A1	22-04-2002		
			TR 200100582 T2	21-03-2002		
			WO 0010499 A1	02-03-2000		
			AU 746066 B2	11-04-2002		
			AU 6239899 A	14-03-2000		
			BR 9913234 A	25-09-2001		
			CN 1313745 T	19-09-2001		
			EP 1107718 A1	20-06-2001		
			JP 2002523140 T	30-07-2002		
			PL 346216 A1	28-01-2002		
			TR 200100635 T2	23-07-2001		
			WO 0010497 A1	02-03-2000		
			AU 4489500 A	10-11-2000		
			BR 0008622 A	26-12-2001		
			EP 1173231 A1	23-01-2002		
		WO 0038747	A	06-07-2000	AU 2221700 A	31-07-2000
					AU 2487400 A	31-07-2000
AU 2717300 A	31-07-2000					
BR 9916592 A	22-01-2002					
BR 9916642 A	22-01-2002					
BR 9916694 A	11-12-2001					
CN 1335764 T	13-02-2002					
CN 1344153 T	10-04-2002					
CN 1344154 T	10-04-2002					
EP 1143927 A2	17-10-2001					
EP 1140009 A2	10-10-2001					
EP 1140010 A2	10-10-2001					
TW 446554 B	21-07-2001					
WO 0038625 A2	06-07-2000					
WO 0038747 A2	06-07-2000					
WO 0038626 A2	06-07-2000					
WO 0064407	A	02-11-2000	AU 4489600 A	10-11-2000		
			BR 0009348 A	05-02-2002		
			DE 10084458 T0	25-04-2002		
			GB 2366203 A	06-03-2002		
			WO 0064407 A1	02-11-2000		
US 5091193	A	25-02-1992	FR 2651125 A1	01-03-1991		
			CA 2023810 A1	24-02-1991		
			DE 69001730 D1	01-07-1993		
			DE 69001730 T2	04-11-1993		
			EP 0414605 A1	27-02-1991		

## INTERNATIONAL SEARCH REPORT

Information on patent family members

International Application No

PCT/US 01/50274

Patent document cited in search report		Publication date	Patent family member(s)	Publication date
US 5091193	A		JP 3157823 B2 JP 3169822 A	16-04-2001 23-07-1991
US 5525346	A	11-06-1996	US 5436007 A MX 9306539 A1 WO 9409757 A1	25-07-1995 31-01-1995 11-05-1994
WO 0071177	A	30-11-2000	AU 4858300 A EP 1178844 A1 WO 0071177 A1	12-12-2000 13-02-2002 30-11-2000
US 6051749	A	18-04-2000	US 5869033 A AU 2610197 A CA 2251587 A1 EP 0914167 A1 WO 9738735 A1 US 6331295 B1	09-02-1999 07-11-1997 23-10-1997 12-05-1999 23-10-1997 18-12-2001