

(19) World Intellectual Property Organization  
International Bureau



(43) International Publication Date  
22 February 2001 (22.02.2001)

PCT

(10) International Publication Number  
**WO 01/13531 A1**

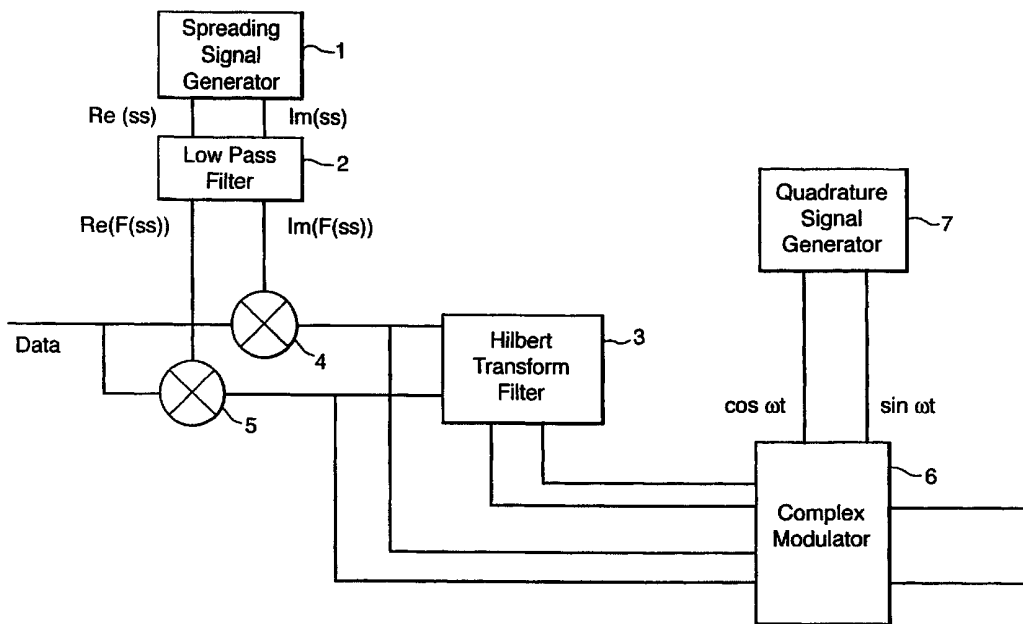
- (51) International Patent Classification<sup>7</sup>: H04B 1/707, 1/68
- (21) International Application Number: PCT/GB00/02997
- (22) International Filing Date: 3 August 2000 (03.08.2000)
- (25) Filing Language: English
- (26) Publication Language: English
- (30) Priority Data:  
99306490.6 17 August 1999 (17.08.1999) EP
- (71) Applicant (for all designated States except US): **BRITISH TELECOMMUNICATIONS PUBLIC LIMITED COMPANY** [GB/GB]; 81 Newgate Street, London EC1A 7AJ (GB).
- (74) Agent: **SEMOS, Robert, Ernest, Vickers**; BT Group Legal Services, Intellectual Property Dept., Holborn Centre, 8th floor, 120 Holborn, London EC1N 2TE (GB).
- (81) Designated States (national): AE, AL, AM, AT, AU, AZ, BA, BB, BG, BR, BY, CA, CH, CN, CR, CU, CZ, DE, DK, DM, EE, ES, FI, GB, GD, GE, GH, GM, HR, HU, ID, IL, IN, IS, JP, KE, KG, KP, KR, KZ, LC, LK, LR, LS, LT, LU, LV, MA, MD, MG, MK, MN, MW, MX, NO, NZ, PL, PT, RO, RU, SD, SE, SG, SI, SK, SL, TJ, TM, TR, TT, TZ, UA, UG, US, UZ, VN, YU, ZA, ZW.
- (84) Designated States (regional): ARIPO patent (GH, GM, KE, LS, MW, MZ, SD, SL, SZ, TZ, UG, ZW), Eurasian patent (AM, AZ, BY, KG, KZ, MD, RU, TJ, TM), European patent (AT, BE, CH, CY, DE, DK, ES, FI, FR, GB, GR, IE, IT, LU, MC, NL, PT, SE), OAPI patent (BF, BJ, CF, CG, CI, CM, GA, GN, GW, ML, MR, NE, SN, TD, TG).

- (72) Inventors; and
- (75) Inventors/Applicants (for US only): **WIDDOWSON, Terence** [GB/GB]; 37 Sproughton Court, Sproughton, Ipswich, Suffolk IP8 3AJ (GB). **MOSS, Jonathan, Guy, Owen** [GB/GB]; 9 Penshurst Road, Ipswich, Suffolk IP3 8QZ (GB).

**Published:**  
— With international search report.

For two-letter codes and other abbreviations, refer to the "Guidance Notes on Codes and Abbreviations" appearing at the beginning of each regular issue of the PCT Gazette.

(54) Title: SIGNAL GENERATOR AND DECODER



(57) Abstract: This invention relates to a signal generator and decoder for a single sideband spread spectrum signal. The present invention provides a single sideband spread spectrum signal generator and decoder in which single sideband modulation using a complex spreading code is achieved with improved correlation properties, so that the interference between users is reduced.

WO 01/13531 A1

## Signal Generator and Decoder

This invention relates to a signal generator for providing a single sideband (SSB) spread spectrum signal.

5

Currently all cellular networks use double sideband modulation to upconvert a baseband signal to a radio frequency. Hence, the same information is conveyed in both sidebands, and the signal uses twice the bandwidth than is absolutely necessary. Single sideband modulation allows the same amount of information to be  
10 transmitted using half the bandwidth of double sideband modulation, or alternatively twice the amount of information in the same bandwidth.

The next generation of cellular networks is known as Universal Mobile Telecommunications Systems (UMTS). Wideband code division multiple access (W-  
15 CDMA) will be used for 60MHz of paired spectrum, i.e. two separate bands of 60MHz, the lower band being used for the uplink and the higher band being used for the downlink. The use of W-CDMA facilitates high bit rates for mobile users.

The capacity of a code division multiple access (CDMA) system is determined by the  
20 number of chips per symbol (known as the processing gain) divided by the energy per bit divided by noise power spectral density ( $E_b/N_0$ ). If the number of chips per symbol can be increased then the capacity is increased. The maximum chipping rate is limited by the available bandwidth. Single sideband modulation reduces the bandwidth required by a modulated signal by a half. Therefore if a single sideband  
25 modulated signal can be produced then either the chipping rate can be increased, or two single sideband signals (upper and lower sideband) may be employed in order to increase the capacity of a CDMA system.

However, traditional techniques used to produce a single sideband signal, such as  
30 bandpass filtering or the well known phasing method cannot be used with data where the spectrum extends down to DC.

A known method of producing a single sideband signal is shown in Figure 1. However this complex modulator may not be used with traditional spreading codes such as PN code, Walsh codes, Gold code etc. to produce SSB because these codes are binary and do not provide a suitable complex spread spectrum signal. The autocorrelation and cross correlation properties of these signals are good. However, if the signal is transformed (eg. by the Hilbert transform) to produce a quadrature signal, then discontinuities and poor correlation properties result. Poor correlation properties result in an increase in the interference experienced by other users and thus decrease the capacity of the system. Hence, to use a modulator such as that shown in Figure 1 a spreading code is required which has good correlation properties in both the real and imaginary domains if a corresponding increase in capacity is to be achieved.

Complex spreading codes with the desired properties are known, for example Frank-Zadoff-Chu (FZC) codes as described in "Polyphase codes with good non-periodic correlation properties", R. L. Frank, IEEE Transactions of Information Theory, vol. IT-9, pp. 43-45, Jan. 1963. However, use of these codes produces a spread spectrum signal which is not bandlimited as will be shown later, so that whatever modulation is used the resulting signal would occupy limitless bandwidth. In "A class of bandlimited complex spreading sequences with analytic properties", M. P. Lotter and L. P. Linde, Proc of ISSSTA 95, 22-25 Sept. 1996, it was shown that by limiting the phase shift between successive samples of the sequence to be less than  $\pi$  radians, a bandlimited signal may be obtained and a set of codes called analytic bandlimited complex sequences derived. The penalty paid for this filtering process is that both the autocorrelation and crosscorrelation functions of the codes are no longer ideal so the number of users which may be supported is reduced. So, although the number of chips per symbol is increased in this known system, the resulting poor correlation properties do not result in a corresponding increase in capacity.

The present invention seeks to alleviate these problems by providing a single sideband spread spectrum signal generator in which single sideband modulation using a complex spreading code is achieved with improved correlation properties, so that the interference between users is reduced.

According to the present invention there is provided a method of generating a single sideband spread spectrum signal comprising the steps of bandlimiting a signal; phase shifting a complex spreading signal in accordance with a Hilbert Transform; modulating a received signal in accordance with the complex spreading signal and  
 5 upconverting of a complex signal to a higher frequency; wherein the order in which the steps are performed is immaterial provided that the phase shifting step is performed before the upconversion step.

In a preferred embodiment of the invention the upconverting step comprises the  
 10 substeps of modulating a signal of the upconverted complex signal in accordance with the real part of the complex signal combined with the imaginary part of the phase shifted complex signal; and modulating a quadrature signal of the upconverted complex signal in accordance with the imaginary part of the complex signal combined with the real part of the phase shifted complex signal.

15 Preferably the complex spreading signal is derived from a sequence defined by the equation

$$\begin{aligned} a_m &= W_N^{m^2/2 + qm} & N \text{ even} \\ &= W_N^{m(m+1)/2 + qm} & N \text{ odd} \end{aligned}$$

where

$$W_N = e^{-i2\pi r/N}$$

m = 0,1,2,..., N-1, q is any integer and the number of sequences of a given length is  
 20 N.

The bandlimiting step may be performed prior to the phase shifting step or the bandlimiting step may be performed after the upconversion step.

25 In some embodiments of the invention the modulation step is performed after the upconversion step.

According to a second aspect of the invention there is provided an apparatus for generating a single sideband spread spectrum signal, comprising: a complex spreading signal generator; a bandlimiting filter; a phase shifter coupled to receive a spreading signal via the complex spreading signal generator for phase shifting the spreading signal in accordance with a Hilbert Transform; a data modulator connected to receive an input signal; and a complex modulator coupled to receive a complex signal via the phase shifter for upconversion of the complex signal to a single sideband signal.

10 In some embodiments of the invention the bandlimiting filter is a low pass filter connected to receive the output of the complex spreading signal generator. In other embodiments of the invention the bandlimiting filter is a band pass filter connected to receive the output of the complex modulator.

15 In some embodiments of the invention the data modulator is coupled to receive a second signal via the complex modulator.

According to another aspect of the invention there is provided a method of decoding a single sideband signal comprising the steps of phase shifting a complex spreading signal in accordance with a Hilbert Transform; upconverting the complex spreading signal to a higher frequency; and demodulating a received signal in accordance with the upconverted complex spreading signal.

Preferably the complex spreading signal is derived from a sequence defined by the equation

$$\begin{aligned} a_m &= W_N^{m^2/2 + qm} && N \text{ even} \\ &= W_N^{m(m+1)/2 + qm} && N \text{ odd} \end{aligned}$$

25 where

$$W_N = e^{-i2\pi r / N}$$

$m = 0, 1, 2, \dots, N-1$ ,  $q$  is any integer and the number of sequences of a given length being  $N$ .

According to another aspect of the invention there is provided an apparatus for decoding a transmitted signal, comprising: a complex spreading signal generator; a phase shifter connected to receive the complex spreading signal from the complex spreading signal generator; a complex modulator connected to receive the complex spreading signal from the complex spreading signal generator, connected to receive the phase shifted complex spreading signal from the phase shifter and arranged in operation to upconvert the complex spreading signal; and a data modulator connected to receive the transmitted signal and the upconverted complex spreading signal and arranged in operation to demodulate the transmitted signal to provide a decoded transmitted signal.

Methods of and apparatus for generating and decoding signals according to the present invention will now be described, by way of example only, with reference to the accompanying drawings in which:

Figure 1 shows a known modulator for producing a single sideband transmission signal from an arbitrary information source;

Figure 2 shows a known complex modulator for producing a single sideband transmission signal from complex input data.

Figures 3a to 3e show embodiments of a signal generator according to the invention;

Figure 4 shows ideal autocorrelation and cross correlation functions for a spreading signal of length 49 chips;

Figure 5 shows complex spreading signals for use in a signal generator according to the invention;

Figure 6 shows schematically how a signal generator according to the invention may be employed in different ways to increase capacity in a system;

Figure 7 is a graph showing bit error rate (BER) against the number of users for a system using a signal generator according to the invention, BER for a standard UMTS system using double sideband modulation and BER for a system employing a combination of the techniques which would represent the evolutionary route in the adoption of the invention where SSB and DSB systems co-exist in the same spectrum;

Figure 8 illustrates how a higher chipping rate can reduce fading (destructive interference) due to multipath propagation;

Figure 9 shows how BER varies with the time delay between a line of sight signal and an equal magnitude signal of random phase, representing the same signal received via  
5 a different path;

Figure 10 shows results taken from channel sounding measurements in a typical microcellular environment demonstrating the small inter-arrival delays between multipaths in a dense urban environment; and

Figure 11 shows a decoder for decoding a signal transmitted according to the  
10 invention.

Figure 1 shows a known modulator for producing a SSB. A data signal I and its corresponding quadrature signal Q are modulated at modulators 10 and 13 by a cosine wave of the modulation frequency. The data signals I and Q are also  
15 modulated at modulators 12 and 11 by a sine wave of the modulation frequency. The outputs of the modulators 10 and 11 are fed to an adder 14 providing an SSB signal 16 and the outputs of the modulators 12 and 13 are fed to an adder 15 to provide an SSB output signal 17. The output at 16 is 90 degrees out of phase with the output at 17. The modulator of Figure 1 provides an upper sideband signal, a lower sideband  
20 signal may be produced by changing the sign of one of the inputs to the adders 14 and 15. It will be appreciated that a modulator which simply produces one or the other of the output signals 16 or 17 could equally well be used.

Figure 2 shows a complex modulator for producing a SSB signal from a complex  
25 input signal. Complex signal B is the quadrature counterpart of complex signal A. The imaginary part of complex signal B is subtracted from the real part of complex signal A (via an inverter, not shown) at an adder 20, and the resultant summed signal is then modulated by a cosine wave of the modulation frequency at a modulator 23. Similarly, the imaginary part of complex signal A is added to the real part of complex  
30 signal B at an adder 21, and the summed signal is then modulated by a sine wave of the modulation frequency at modulator 22. The two modulated signals are summed at an adder 24 to produce an SSB signal. The complex modulator of Figure 2

produces an upper sideband signal, a lower sideband signal may be produced by changing the sign of one of the inputs to the adders 20 and 21.

Figure 3a shows a first embodiment of an SSB spread spectrum signal generator according to the invention comprising a complex spreading signal generator 1 which generates a complex spreading signal, denoted  $Re(ss)$  and  $Im(ss)$ . The nature of the complex spreading signal will be described later with reference to Figure 5. The complex spreading signal is received by a low pass filter 2 which outputs a filtered complex spreading signal, the real part of which is denoted  $Re(F(ss))$  and the imaginary part of which is denoted  $Im(F(ss))$ . The filter 2 is implemented as a root raised cosine filter, although any type of low pass filter could be used. A data signal modulates the real and imaginary complex spreading signals at modulators 4 and 5 to produce a modulated complex signal. The modulated complex signal is then phase shifted by 90 degrees using a Hilbert Transform filter 3 to produce the quadrature counterpart of the complex signal. These complex signals are then upconverted to the desired frequency by a complex modulator 6 to provide as an output an SSB spread signal. Cosine and sine waves of the desired frequency are provided by a signal generator 7.

Figure 3b shows an embodiment of the invention in which the complex signal is filtered after modulation by the input data. Equally filtering can be performed after the Hilbert transform, as shown in the embodiment of Figure 3c. This embodiment requires the use of two low pass filters 2' and 2''. Figure 3d shows an embodiment of the invention in which the upconverted SSB signal is bandlimited by a band pass filter 8.

Figure 3e shows an embodiment of the invention in which the data modulates the upconverted SSB signal at a modulator 9. It will be appreciated that bandlimiting of the signal can be performed in several ways in a similar manner to the embodiments shown in Figures 3b, 3c and 3d.

For spread spectrum communications a set of spreading signals is required each of which has an autocorrelation function which is near zero everywhere except

at a single maximum per period, and which also has minimum cross correlation functions. It has been shown by D. V. Sarwate in "Bounds on crosscorrelation and autocorrelation of sequences", IEEE Transactions on Information Theory, vol IT-25, pp720-724, that the maximum magnitude of the periodic cross correlation function and the maximum magnitude of the periodic autocorrelation are related, and that if a set of signals has good autocorrelation properties then the cross correlation properties are not very good, and vice versa. Figures 4a and 4b show perfect autocorrelation and ideal cross correlation functions (for a spreading signal of length 49 chips)

10

The complex spreading signal generator 1 generates one of a family of complex spreading signals which have good correlation properties. The codes used in this embodiment of the invention are known as Frank-Zadoff-Chu (FZC) sequences or codes. They are based on the complex roots of unity:

$$W_N = e^{-i2\pi r/N}$$

15

Where  $i = \sqrt{-1}$ , N denotes the FZC sequence length and r is an integer relatively prime to N. The FZC sequences are then defined as:

$$\begin{aligned} a_m &= W_N^{m^2/2 + qm} & N \text{ even} \\ &= W_N^{m(m+1)/2 + qm} & N \text{ odd} \end{aligned}$$

20 where  $m = 0, 1, 2, \dots, N-1$  and q is any integer and the number of sequences of a given length is N.

The maximum instantaneous frequency reached by the sequence  $\{a_m\}$  is when  $m = N-1$ , and can be written as:

$$\begin{aligned} \omega_{a_{\max}} &= 2\pi r \left(1 - \frac{1}{2N}\right) \\ \omega_{a_{\max}} &\approx 2\pi r \end{aligned}$$

for large N

Clearly the maximum instantaneous frequency is not bandlimited to the Nyquist value for the chipping rate and depends upon  $r$ . The real and imaginary parts of an FZC  
5 sequence are shown in Figure 5a. The sequence generated by the complex spreading sequence generator 1 is phase shifted by the Hilbert Transform filter 3 to produce a signal which has been phase shifted by 90 degrees. The phase shifted sequence corresponding to the complex sequence of Figure 5a is shown in Figure 5b. The complex spreading sequence and the transformed sequence each have good  
10 autocorrelation and good cross correlation properties.

The operations of bandlimiting, applying the Hilbert transform, and upconversion to a broadcast frequency using a complex modulator may be performed in any order, as long as the Hilbert Transform is applied before the upconversion step. Hence, in  
15 alternative embodiments of the invention the order in which the signals are filtered, spread and modulated is different. For example, referring again to Figure 3, the complex spreading signal from the spreading signal generator 1 may be phase shifted by the Hilbert transform filter 3 and then the complex spreading signal and the phase shifted spreading signal may each be filtered, although in this case two low pass  
20 filters would be required. Figure 3e shows another alternative embodiment of the invention in which the data is used to modulate the upconverted spread spectrum signal.

The capacity of the system is potentially increased because either two SSB signals  
25 may be used in a single existing UMTS channel or one SSB channel of twice the chipping rate may be employed, as shown schematically in Figure 6. For a practical system which allows a smooth transition from a standard using double sideband modulation to a standard using SSB modulation, it is desirable that a signal employing SSB modulation and a signal employing double sideband modulation should cause  
30 minimal interference to each other. Figure 7 shows the results of an experiment to measure the BER against the number of users for a system using SSB modulation according to the preferred embodiment of the invention, the BER for a standard

UMTS system using double sideband modulation and the BER for a system employing a combination of the techniques, referred to as an 'overlay' in Figure 7.

An advantage of using an SSB channel of twice the chipping rate is that multipath resolution is improved. Multipath resolution is required when a signal may take a plurality of paths between a transmitter and a receiver. If the multipath resolution is improved, the potential increase in capacity is more than 100%, due to reduced fading and hence decreased interference. Figure 8 illustrates how a higher chipping rate can reduce interference, if it is possible to resolve signals received via different paths. It is also possible to constructively combine signals received via different paths so that the performance of a line with multipaths may actually be improved over that of a perfect channel.

Figure 9 shows how BER varies with the time delay between a line of sight signal and an equal magnitude signal of random phase, representing the same signal received via a different path. In this example the chipping rate is 4 Mchip/s with a period of 0.25 s and the  $E_b/N_0$  is 6.8dB resulting in a BER of  $1 \times 10^{-3}$  when no multipath interference occurs. In this example the sampling point is midway through the chip resulting in the start of the next chip occurring after a delay 0.125 s. It can be seen that the low BER is maintained until the two signals are spaced by less than the chipping period then significant fading (destructive interference) results and the BER increases significantly.

Figure 10 shows results taken from channel sounding measurements in a typical microcellular environment. A significant multipath is defined as paths which have a signal strength within 10 dB of the strongest signal. In the graph of Figure 10 the profile width is plotted against the number of significant multipaths. It can be seen that, in many cases, all of the energy is distributed within a 0.5 s window, even when many paths are contributing. If the chipping period is 0.25 s many separate multipaths will arrive within each chip interval resulting in fading and thus degradation of system performance. Therefore, for much of the time the system is only able to resolve 2 multipaths. Increasing the chip rate not only reduces fading

but also yields more resolvable multipaths which could beneficially be combined at the receiver.

Figure 11 shows a decoder for decoding the transmitted signal of this invention. A  
5 despread signal is generated using a spreading signal generator 1', a Hilbert transform filter 3', a quadrature signal generator 7' and a complex modulator 6' in a similar manner to the generation of the spreading signal shown in Figure 3e. The transmitted data is demodulated, and despread by a modulator 9, and then low pass filtered by a low pass filter 10 to achieve the decoded signal.

## CLAIMS

1. A method of generating a single sideband spread spectrum signal comprising the steps of
- bandlimiting a signal;
- 5       phase shifting a complex spreading signal in accordance with a Hilbert Transform;
- modulating a received signal in accordance with the complex spreading signal and
- upconverting of a complex signal to a higher frequency;
- 10   wherein the order in which the steps are performed is immaterial provided that the phase shifting step is performed before the upconversion step.
2. A method according to claim 1, in which the upconverting step comprises the substeps of
- 15       modulating a signal of the upconverted complex signal in accordance with the real part of the complex signal combined with the imaginary part of the phase shifted complex signal; and
- modulating a quadrature signal of the upconverted complex signal in accordance with the imaginary part of the complex signal combined with the real part
- 20   of the phase shifted complex signal.
3. A method according to claim 1 or claim 2, in which the complex spreading signal is derived from a sequence defined by the equation

$$\begin{aligned}
 a_m &= W_N^{m^2/2 + qm} & N \text{ even} \\
 &= W_N^{m(m+1)/2 + qm} & N \text{ odd}
 \end{aligned}$$

where

$$W_N = e^{-i2\pi r / N}$$

25

$m = 0, 1, 2, \dots, N-1$ ,  $q$  is any integer and the number of sequences of a given length is  $N$ .

4. A method according to any one of the preceding claims in which the bandlimiting step is performed prior to the phase shifting step.
- 5 5. A method according to any one of claims 1 to 3 in which the bandlimiting step is performed after the upconversion step.
6. A method according to any one of the preceding claims in which the modulation step is performed after the upconversion step.
- 10
7. An apparatus for transmitting a single sideband spread spectrum signal, comprising:
- a complex spreading signal generator;
  - a bandlimiting filter;

15 a phase shifter coupled to receive a spreading signal via the complex spreading signal generator for phase shifting the spreading signal in accordance with a Hilbert Transform;

  - a data modulator connected to receive an input signal; and
  - a complex modulator coupled to receive a complex signal via the phase

20 shifter for upconversion of the complex signal to a single sideband signal.
8. An apparatus according to claim 7, in which the bandlimiting filter is a low pass filter connected to receive the output of the complex spreading signal generator.
- 25 9. An apparatus according to claim 7, in which the bandlimiting filter is a band pass filter connected to receive the output of the complex modulator.
10. An apparatus according to any one of claims 7 to 9, in which the data modulator is coupled to receive a second signal via the complex modulator.
- 30
11. A method of decoding a single sideband signal comprising the steps of
- phase shifting a complex spreading signal in accordance with a Hilbert Transform;

upconverting the complex spreading signal to a higher frequency; and  
demodulating a received signal in accordance with the upconverted complex  
spreading signal.

12. A method according to claim 11, in which the complex spreading signal is  
5 derived from a sequence defined by the equation

$$\begin{aligned} a_m &= W_N^{m^2/2 + qm} & N \text{ even} \\ &= W_N^{m(m+1)/2 + qm} & N \text{ odd} \end{aligned}$$

where

$$W_N = e^{-i2\pi r/N}$$

$m = 0, 1, 2, \dots, N-1$ ,  $q$  is any integer and the number of sequences of a given length  
being  $N$ .

10

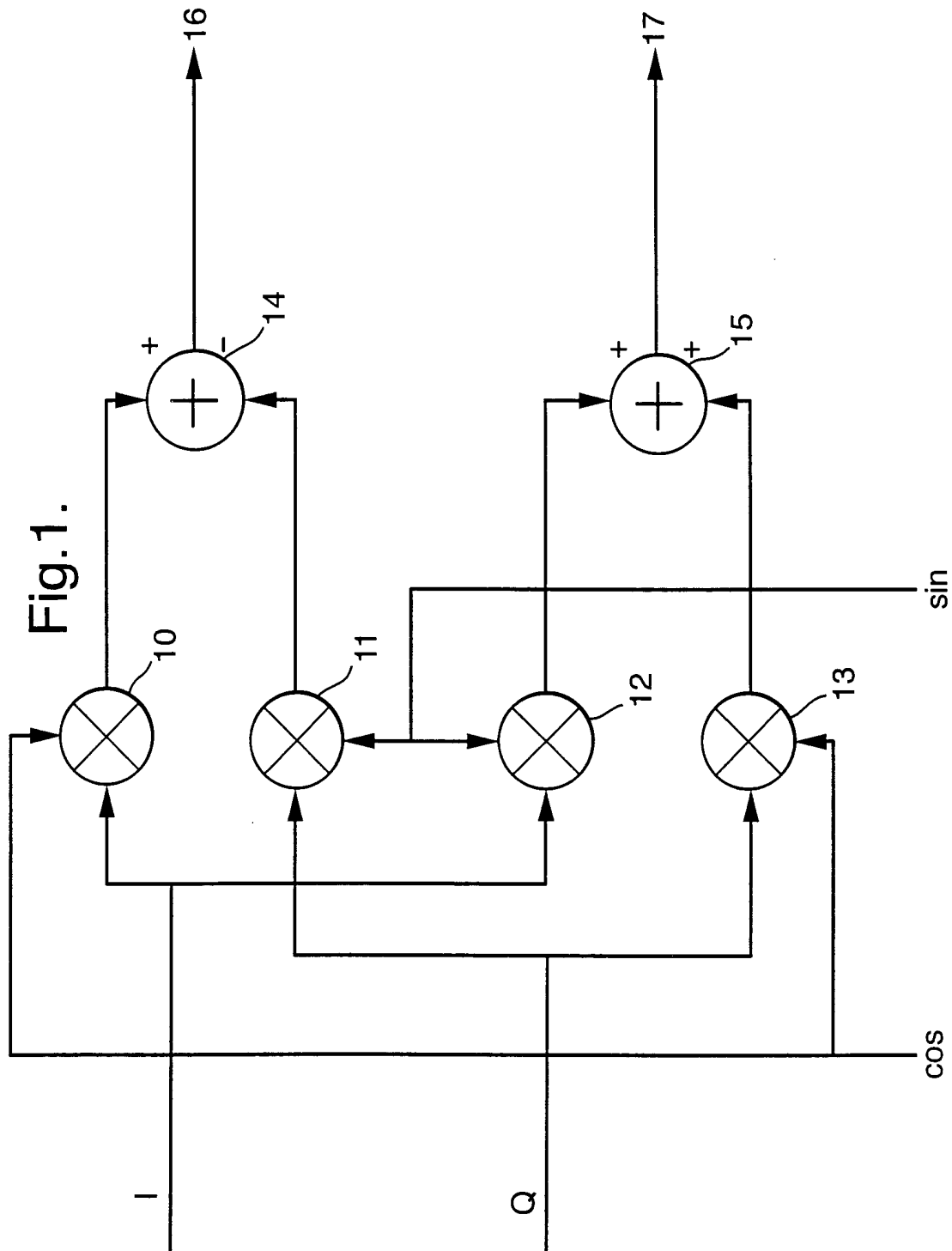
13. An apparatus for decoding a transmitted signal, comprising:

a complex spreading signal generator;

a phase shifter connected to receive the complex spreading signal from the  
complex spreading signal generator;

15 a complex modulator connected to receive the complex spreading signal from  
the complex spreading signal generator, connected to receive the phase shifted  
complex spreading signal from the phase shifter and arranged in operation to  
upconvert the complex spreading signal; and

a data modulator connected to receive the transmitted signal and the  
20 upconverted complex spreading signal and arranged in operation to demodulate the  
transmitted signal to provide a decoded transmitted signal.



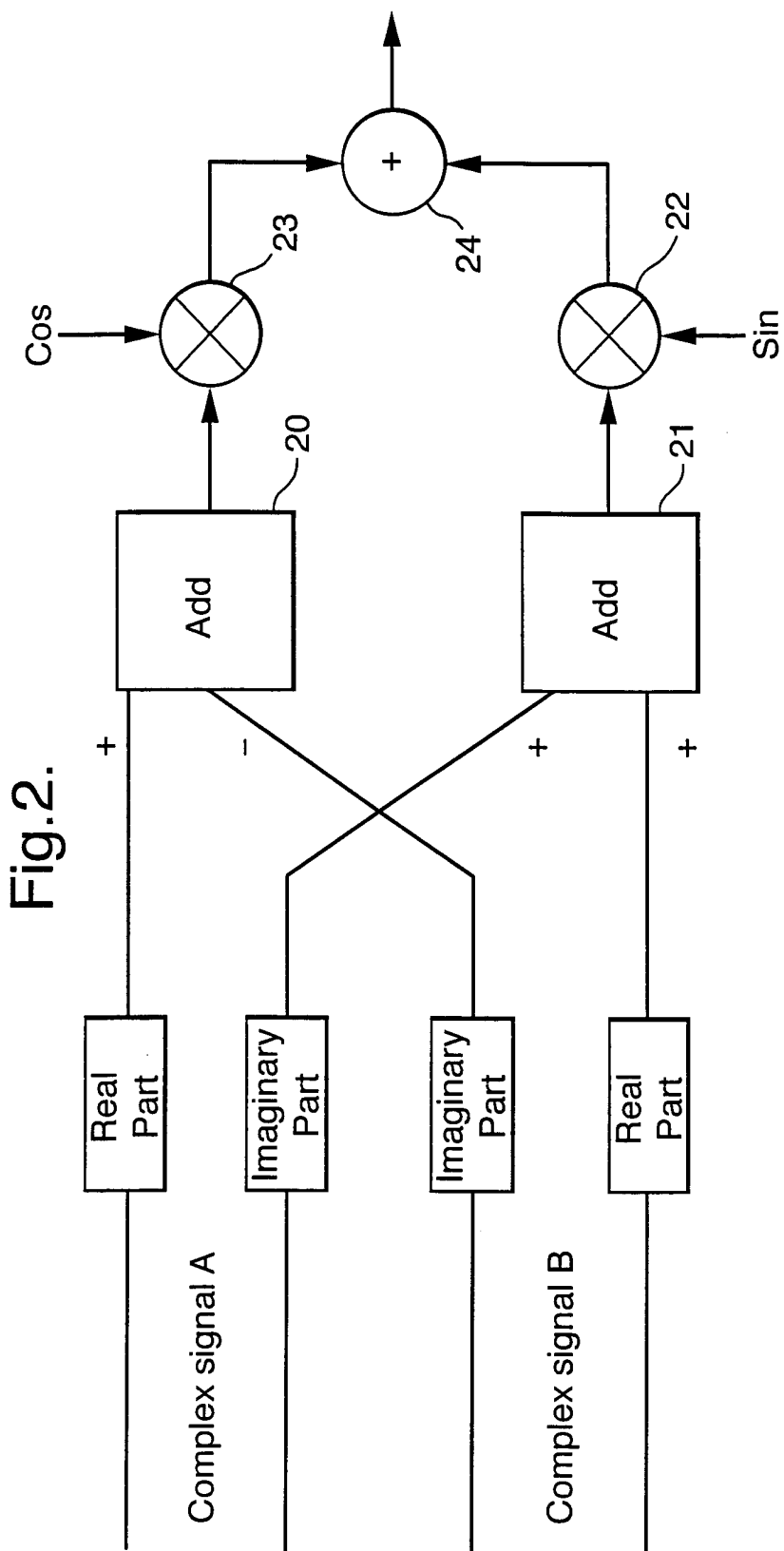


Fig.2.

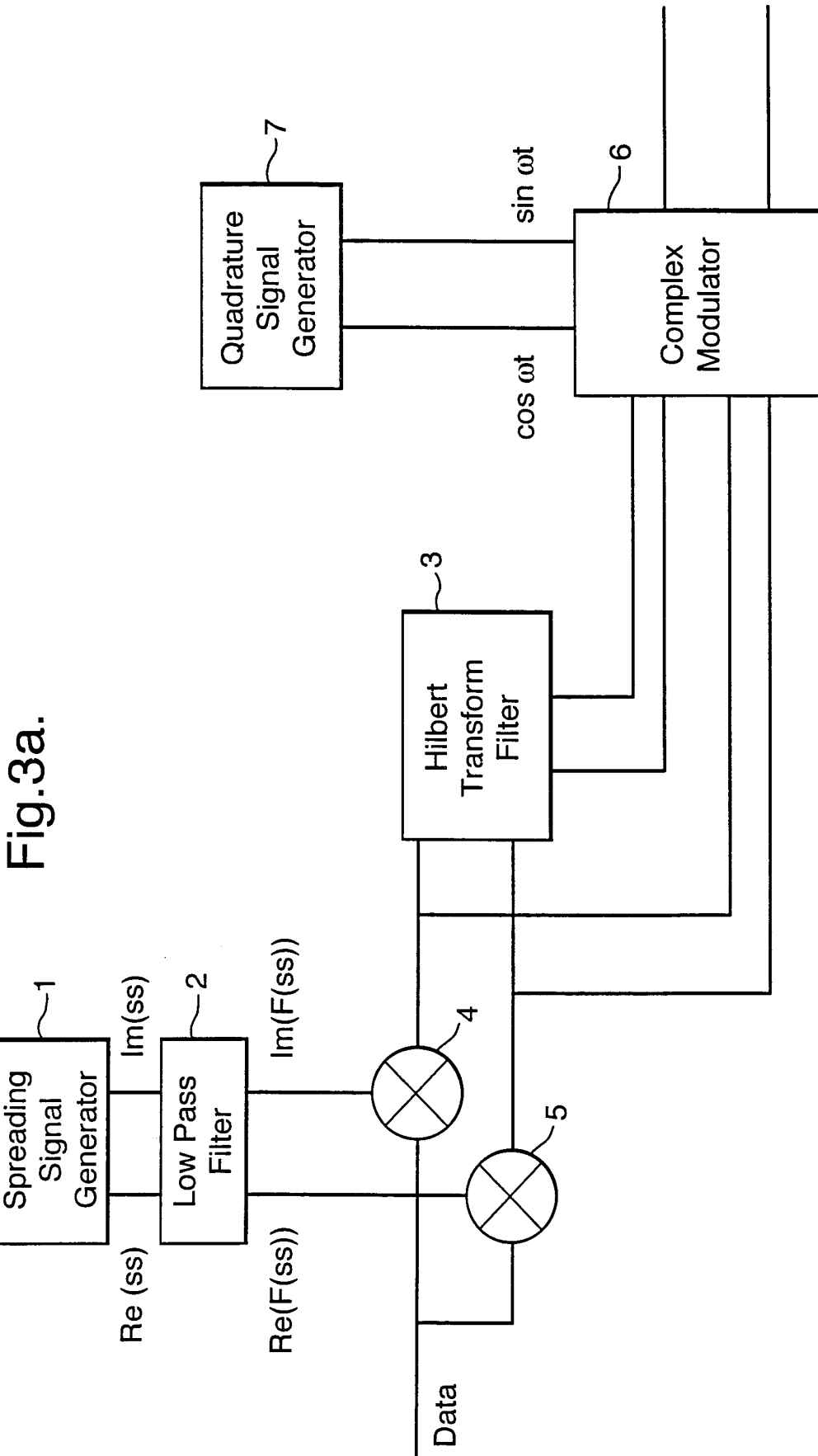


Fig.3b.

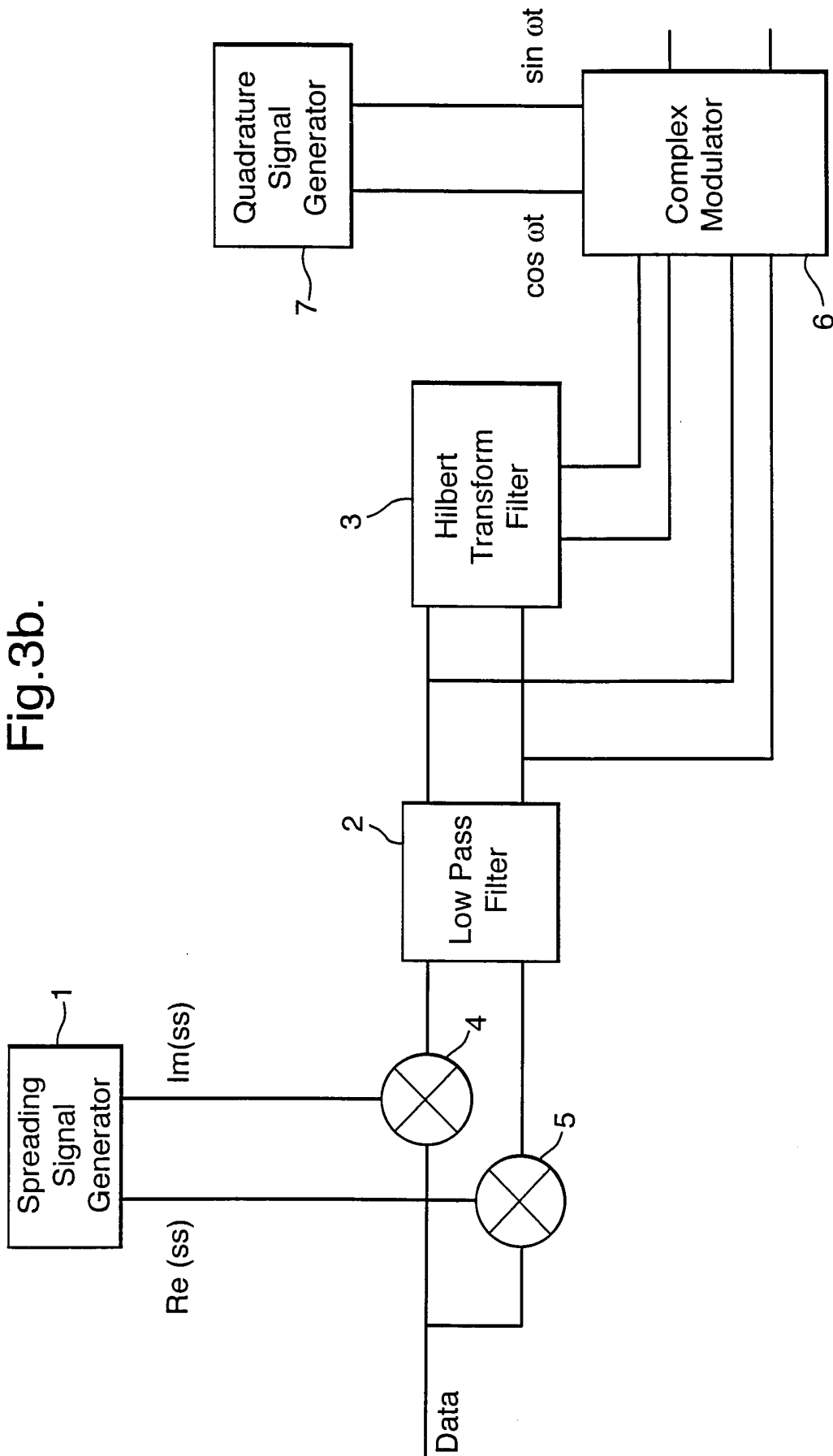
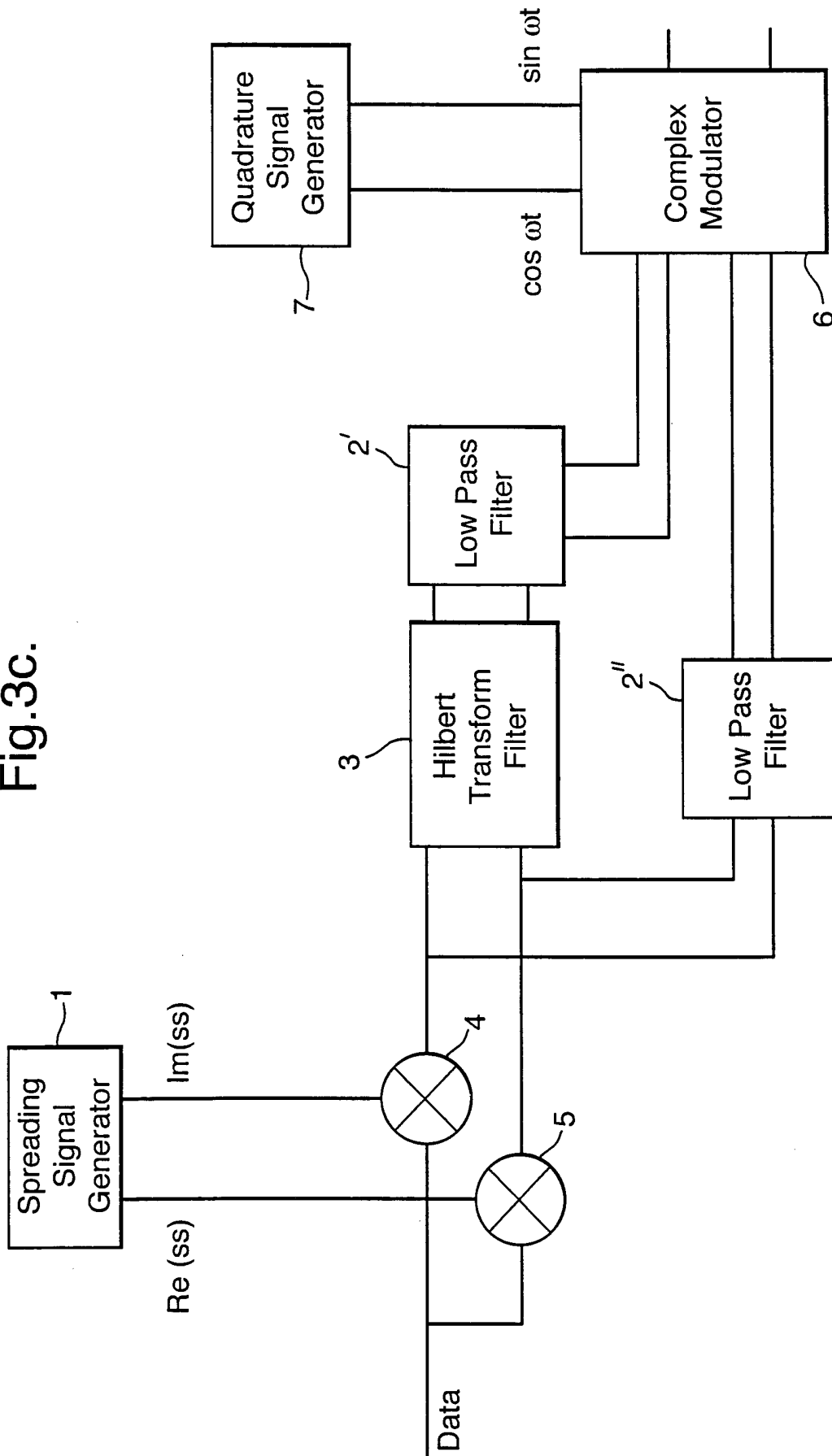


Fig.3c.



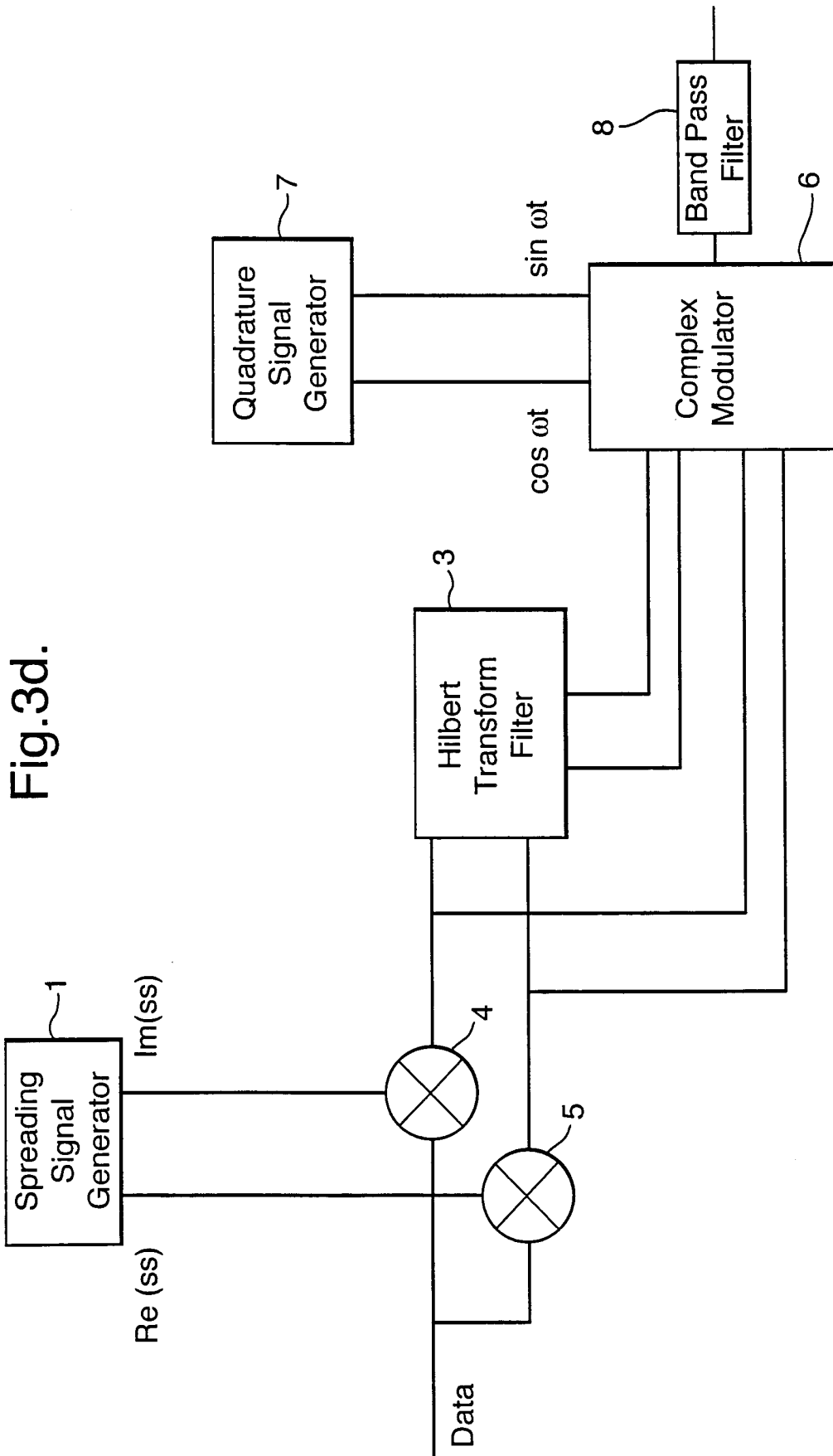
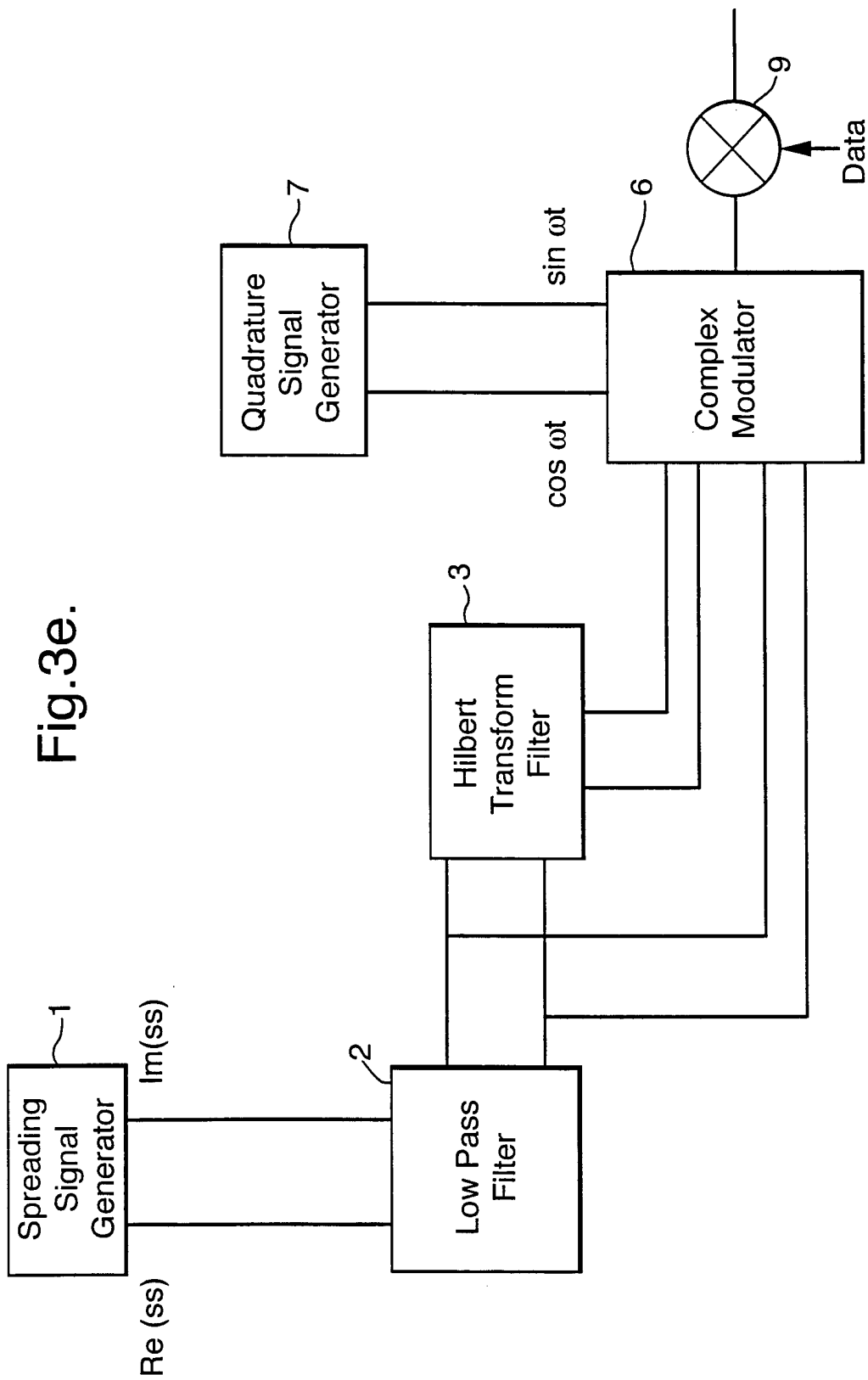
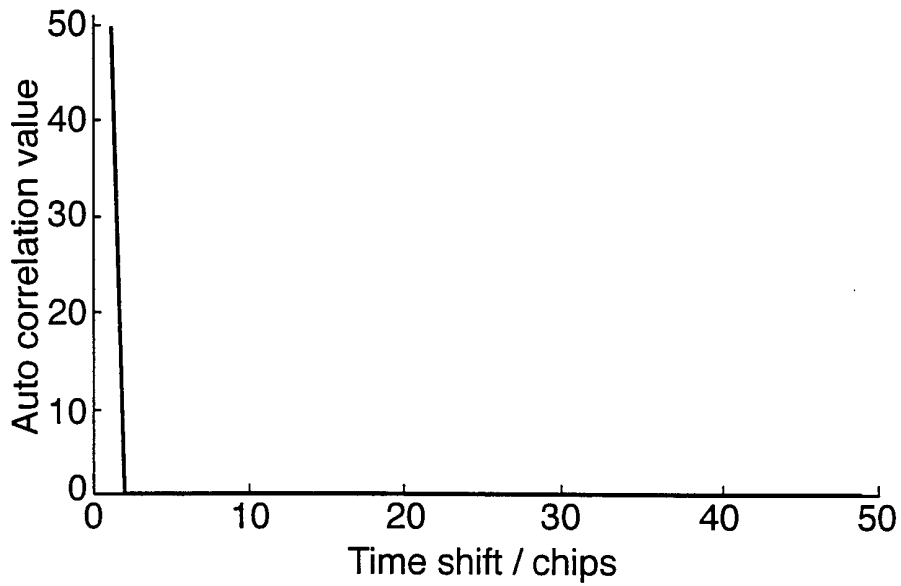


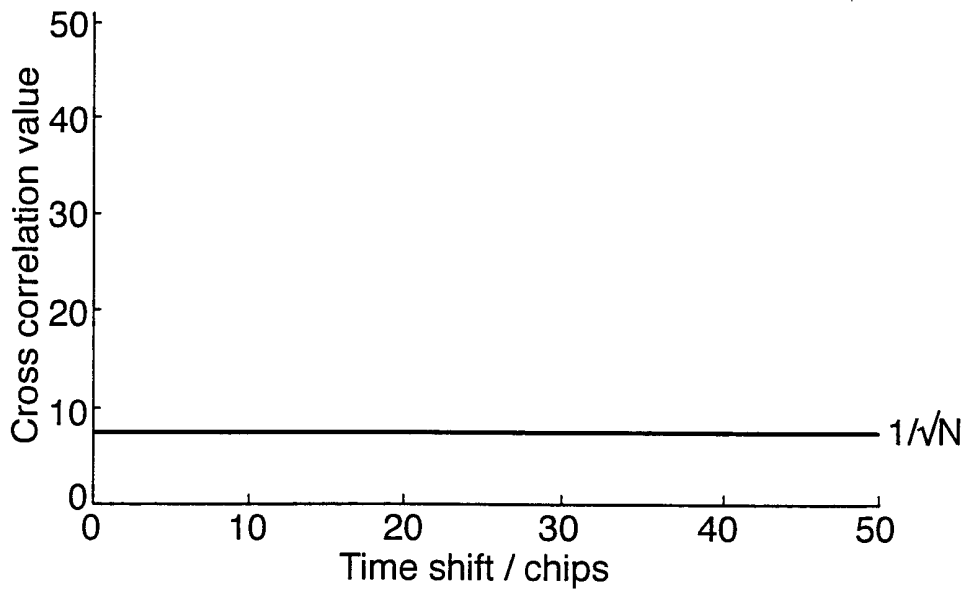
Fig.3d.



**Fig.4a.**  
Autocorrelation function



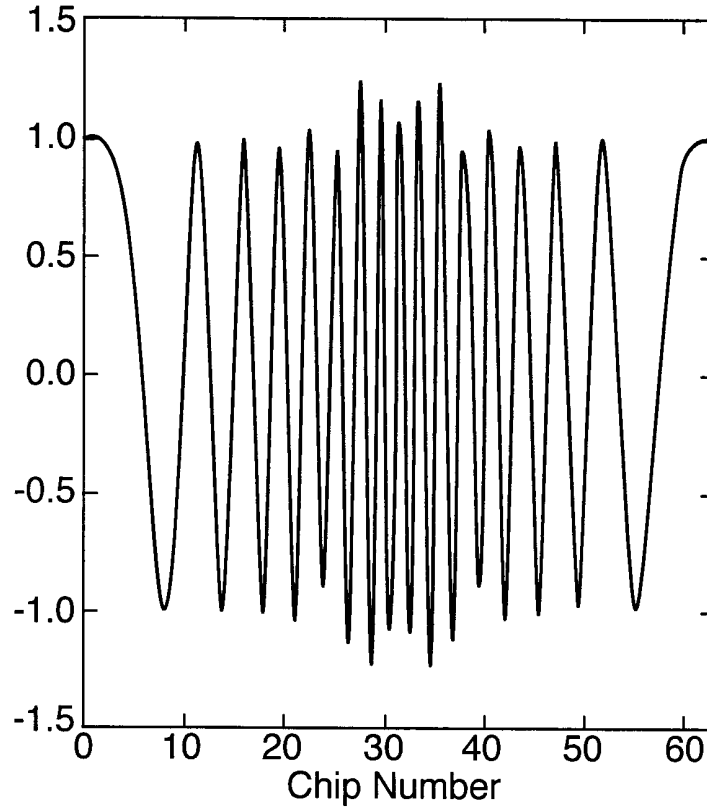
**Fig.4b.**  
Crosscorrelation function



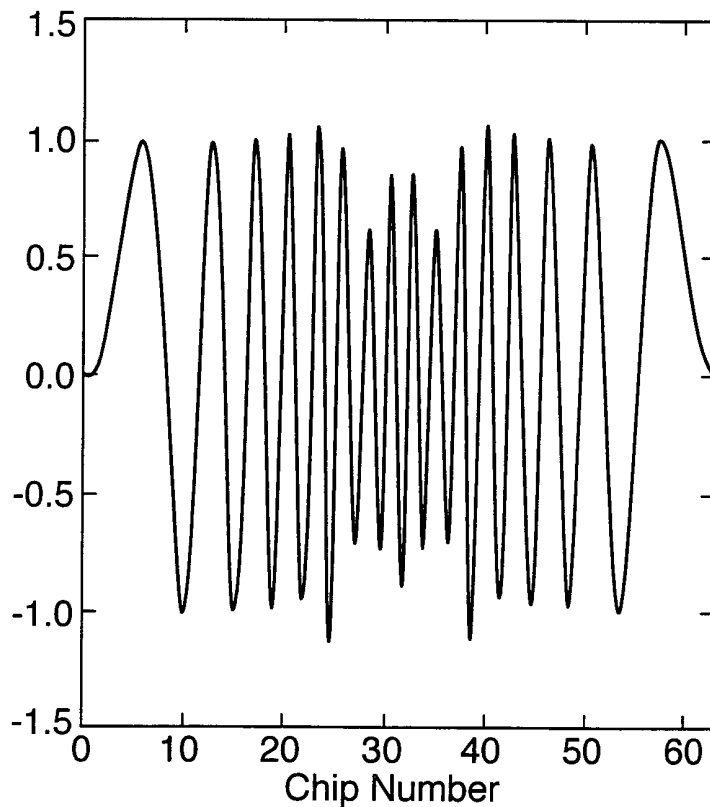
9/14

Fig.5a.

Filtered FZC Sequence (Seq 1 of length 63) - REAL



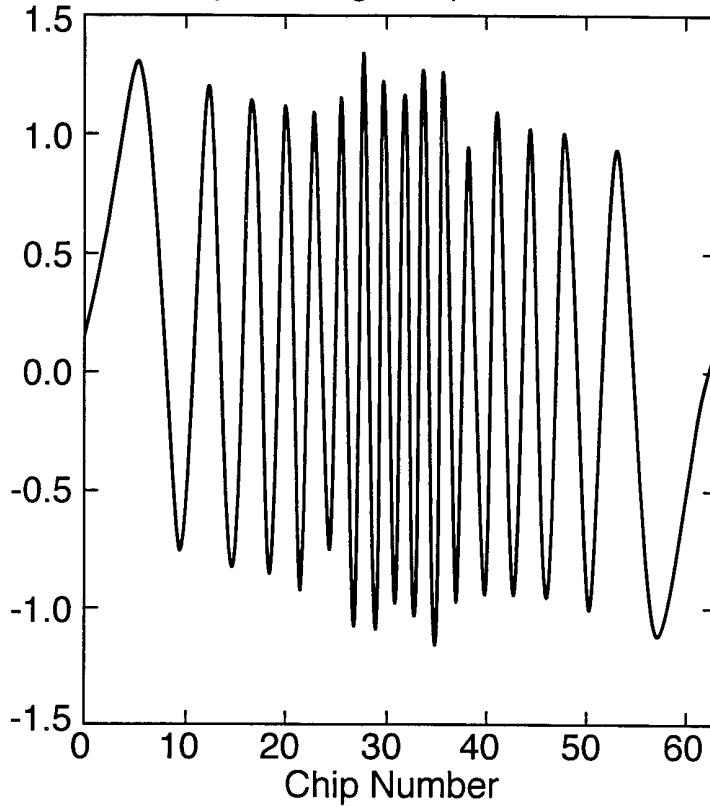
Filtered FZC Sequence (Seq 1 of length 63) - IMAGINARY



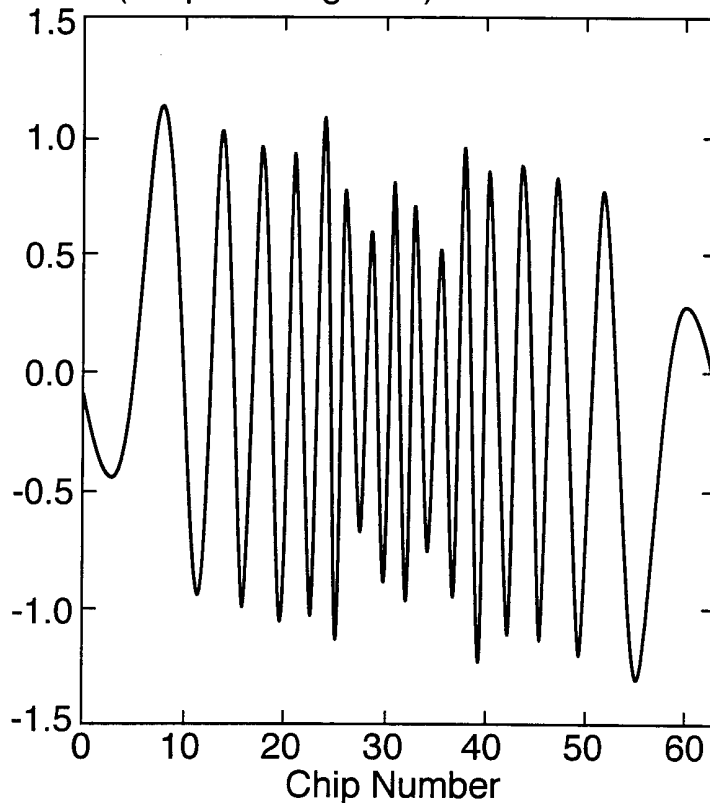
10/14

# Fig.5b.

Hilbert T-form of Filtered FZC Sequence  
(Seq 1 of length 63) - REAL



Hilbert T-form of Filtered FZC Sequence  
(Seq 1 of length 63) - IMAGINARY



11/14

Fig.6.

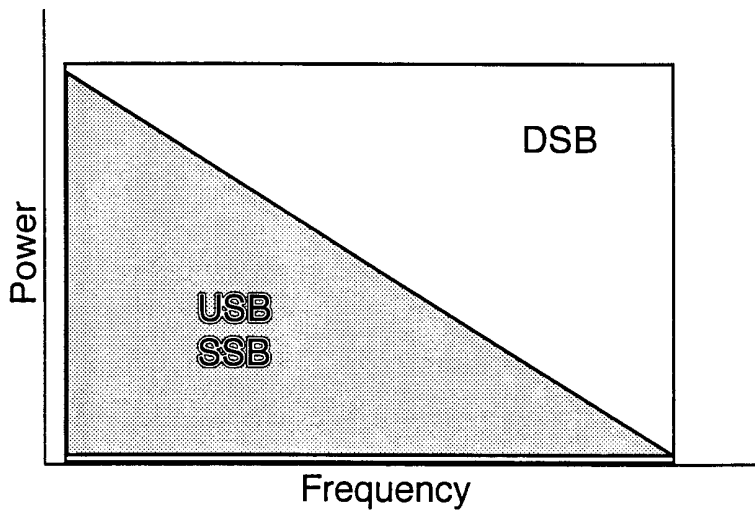
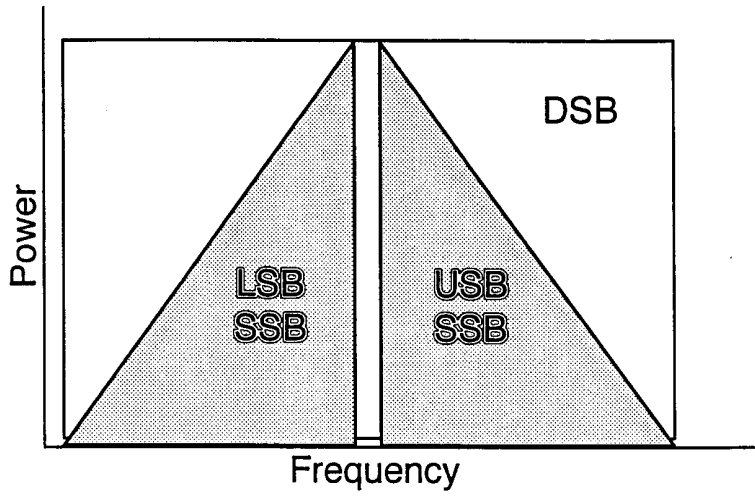


Fig.7.

Performance of DSB, overlay and SSB

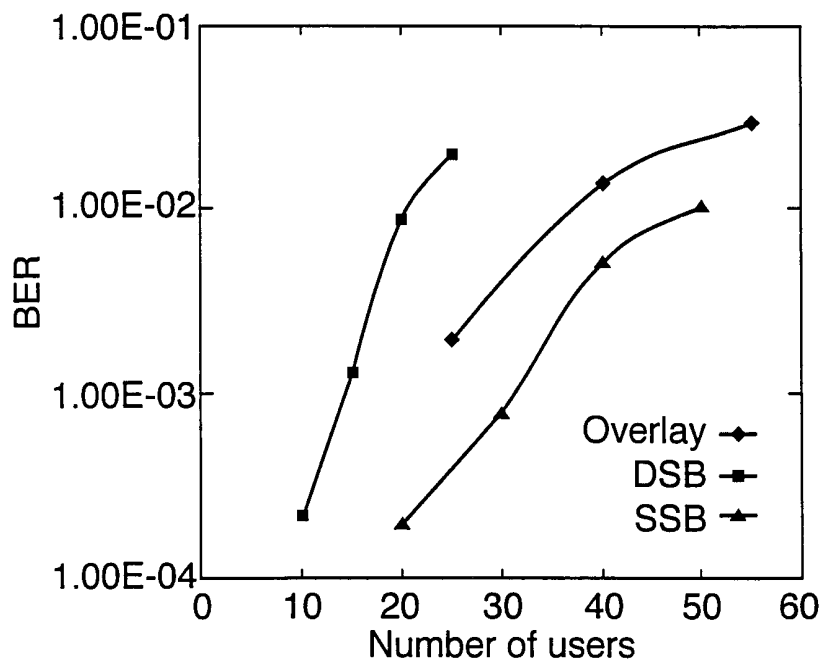


Fig.8.

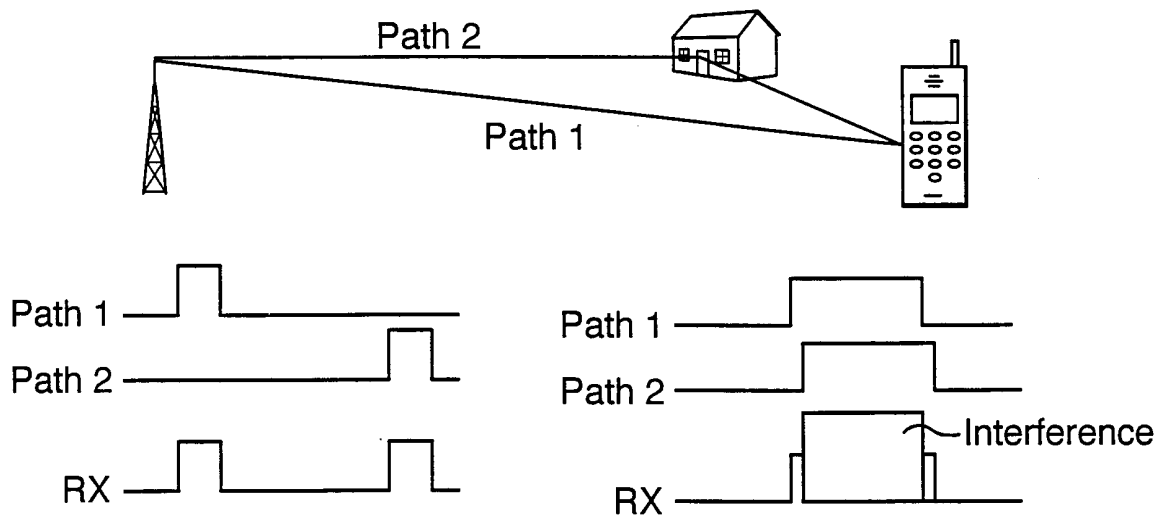


Fig.9.

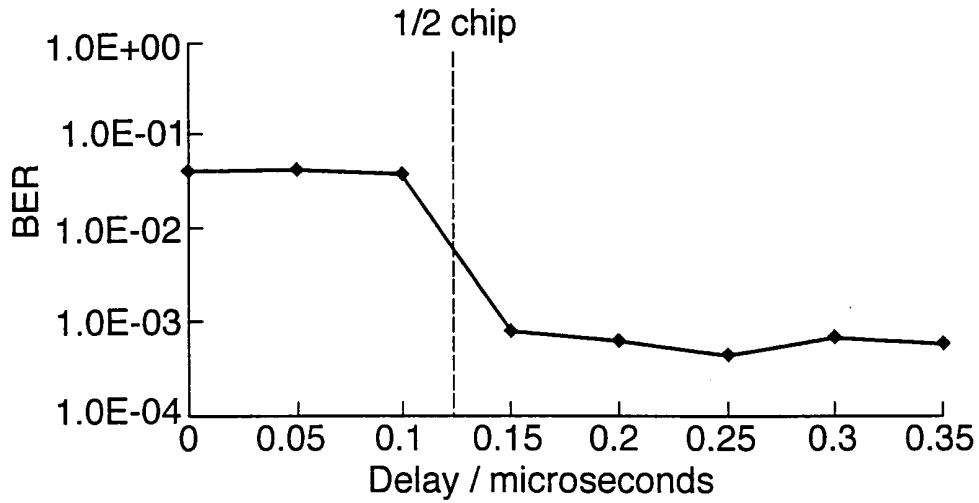
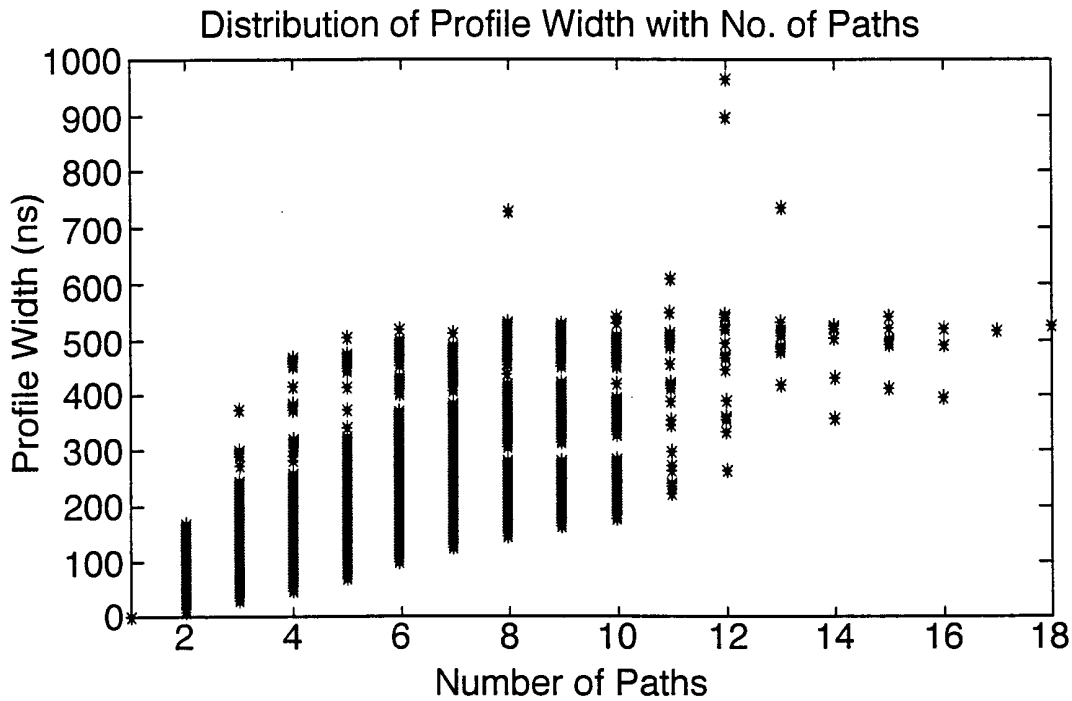


Fig.10.



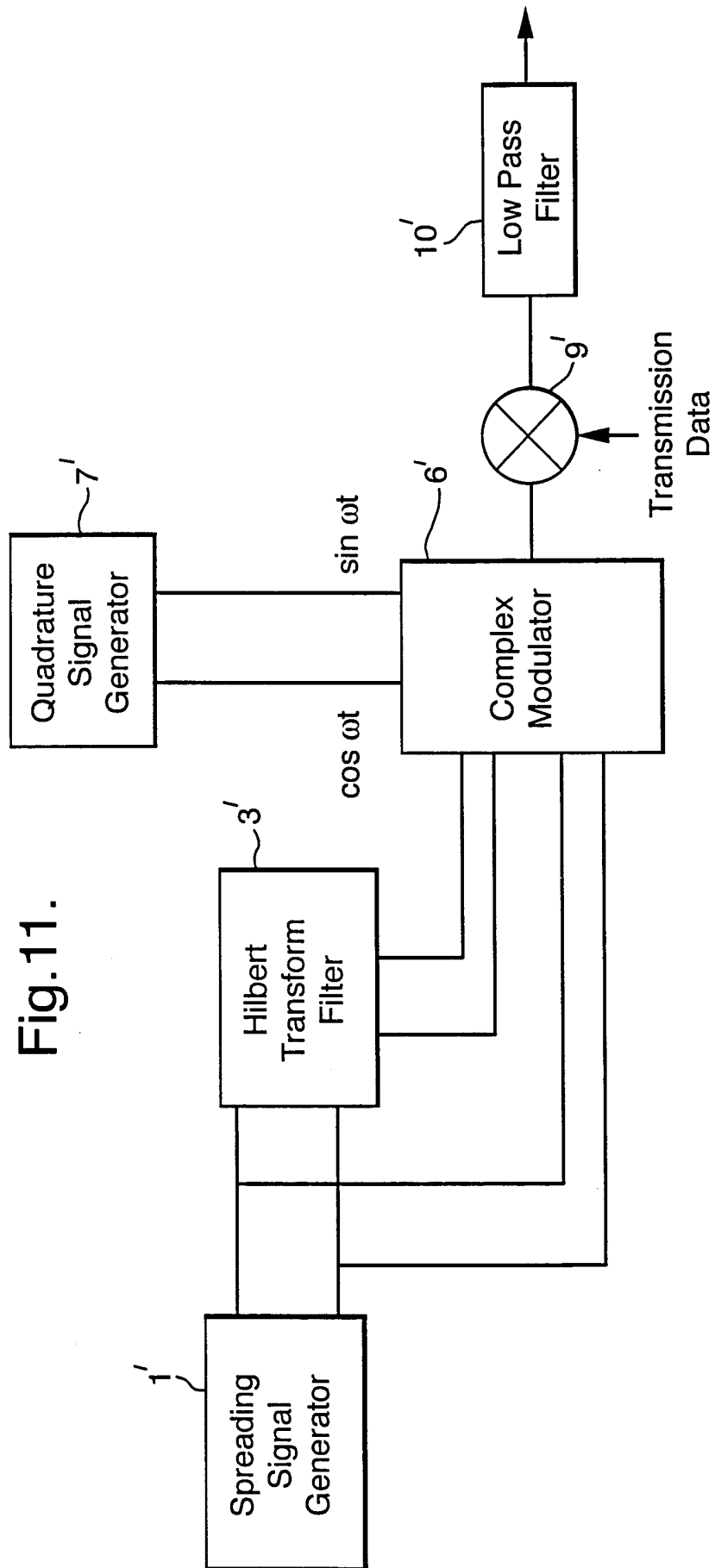


Fig.11.

# INTERNATIONAL SEARCH REPORT

International Application No

PCT/GB 00/02997

**A. CLASSIFICATION OF SUBJECT MATTER**  
 IPC 7 H04B1/707 H04B1/68

According to International Patent Classification (IPC) or to both national classification and IPC

**B. FIELDS SEARCHED**

Minimum documentation searched (classification system followed by classification symbols)  
 IPC 7 H04B

Documentation searched other than minimum documentation to the extent that such documents are included in the fields searched

Electronic data base consulted during the international search (name of data base and, where practical, search terms used)

EPO-Internal, WPI Data, PAJ, INSPEC

**C. DOCUMENTS CONSIDERED TO BE RELEVANT**

Category °	Citation of document, with indication, where appropriate, of the relevant passages	Relevant to claim No.
A	US 5 675 608 A (JUNG SUNG-HUN ET AL) 7 October 1997 (1997-10-07) column 2, line 4 - line 17; claims 15-20,22,23; figure 3A column 3, line 49 -column 4, line 17 column 5, line 44 -column 6, line 11 ---	1,2,4-8, 10,11,13
A	US 5 422 909 A (STEWART KENNETH A ET AL) 6 June 1995 (1995-06-06) column 3, line 30 - line 50; claims 1,6; figures 5,6 abstract ---	1,2,7, 11,13
A	US 5 838 719 A (MOORE III TIMOTHY F) 17 November 1998 (1998-11-17) column 2, line 9 - line 23; claims 1-4; figures 3,4A-4D ---	1,2,7, 11,13
	-/--	

Further documents are listed in the continuation of box C.

Patent family members are listed in annex.

° Special categories of cited documents :

- \*A\* document defining the general state of the art which is not considered to be of particular relevance
- \*E\* earlier document but published on or after the international filing date
- \*L\* document which may throw doubts on priority claim(s) or which is cited to establish the publication date of another citation or other special reason (as specified)
- \*O\* document referring to an oral disclosure, use, exhibition or other means
- \*P\* document published prior to the international filing date but later than the priority date claimed

- \*T\* later document published after the international filing date or priority date and not in conflict with the application but cited to understand the principle or theory underlying the invention
- \*X\* document of particular relevance; the claimed invention cannot be considered novel or cannot be considered to involve an inventive step when the document is taken alone
- \*Y\* document of particular relevance; the claimed invention cannot be considered to involve an inventive step when the document is combined with one or more other such documents, such combination being obvious to a person skilled in the art.
- \* & \* document member of the same patent family

Date of the actual completion of the international search

25 September 2000

Date of mailing of the international search report

04/10/2000

Name and mailing address of the ISA

European Patent Office, P.B. 5818 Patentlaan 2  
 NL - 2280 HV Rijswijk  
 Tel. (+31-70) 340-2040, Tx. 31 651 epo nl,  
 Fax: (+31-70) 340-3016

Authorized officer

Nilsson, M

# INTERNATIONAL SEARCH REPORT

Int. l. Application No  
PCT/GB 00/02997

C.(Continuation) DOCUMENTS CONSIDERED TO BE RELEVANT		
Category °	Citation of document, with indication, where appropriate, of the relevant passages	Relevant to claim No.
A	<p>LOTTER M P ET AL: "A class of bandlimited complex spreading sequences with analytic properties"</p> <p>1996 IEEE 4TH INTERNATIONAL SYMPOSIUM ON SPREAD SPECTRUM TECHNIQUES AND APPLICATIONS PROCEEDINGS. TECHNICAL PROGRAM. (CAT. NO.96TH8210), PROCEEDINGS OF ISSSTA'95 INTERNATIONAL SYMPOSIUM ON SPREAD SPECTRUM TECHNIQUES AND APPLICATIONS, MAINZ, GERMANY,, pages 662-666 vol.2, XP002127399 1996, New York, NY, USA, IEEE, USA ISBN: 0-7803-3567-8</p> <p>cited in the application abstract</p> <p>page 662, left-hand column, line 29 - line 39</p> <p>page 664, right-hand column, line 19 -page 665, left-hand column, line 4</p> <p style="text-align: center;">-----</p>	1-3

# INTERNATIONAL SEARCH REPORT

Information on patent family members

International Application No

PCT/GB 00/02997

Patent document cited in search report	A	Publication date	Patent family member(s)	B	Publication date
US 5675608	A	07-10-1997	NONE		
US 5422909	A	06-06-1995	CA 2153682 A, C CN 1116891 A FI 953609 A IL 111377 A JP 8506470 T KR 160831 B SE 9502703 A WO 9515639 A		08-06-1995 14-02-1996 28-07-1995 30-09-1997 09-07-1996 01-12-1998 02-10-1995 08-06-1995
US 5838719	A	17-11-1998	US 5459758 A US 5796959 A		17-10-1995 18-08-1998