

(12) INTERNATIONAL APPLICATION PUBLISHED UNDER THE PATENT COOPERATION TREATY (PCT)

(19) World Intellectual Property Organization
International Bureau



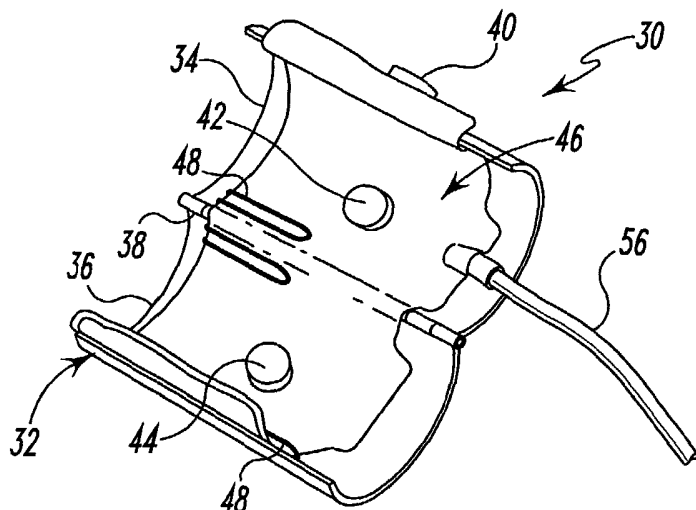
(43) International Publication Date
3 January 2003 (03.01.2003)

PCT

(10) International Publication Number
WO 03/001180 A3

- (51) International Patent Classification⁷: A61B 5/00, 5/02, 5/08
- (21) International Application Number: PCT/US02/19557
- (22) International Filing Date: 20 June 2002 (20.06.2002)
- (25) Filing Language: English
- (26) Publication Language: English
- (30) Priority Data:
60/299,462 20 June 2001 (20.06.2001) US
10/176,186 20 June 2002 (20.06.2002) US
- (71) Applicant (for all designated States except US): PURDUE RESEARCH FOUNDATION [US/US]; Office of Technology Commercialization, 1291 Cumberland Ave., West Lafayette, IN 47906 (US).
- (72) Inventors; and
- (75) Inventors/Applicants (for US only): GEDDES, Leslie, A. [US/US]; 400 North River Road, #1724, West Lafayette, IN 47906 (US). FOSTER, Kirk, S. [US/US]; 831 Vine Street, West Lafayette, IN 47906 (US). SCHOENLEIN, William, E. [US/US]; 6304 South 450 East, Lafayette, IN 47905 (US). ROEDER, Rebecca, A. [US/US]; 1520 Central Street, Lafayette, IN 47905 (US). HARRINGTON, Claude, B. [US/US]; 7726 State Road 26 East, Lafayette, IN 47905 (US).
- (74) Agent: BAHRET, William, F.; Bahret & Associates, Suite 512, 320 North Meridian Street, Indianapolis, IN 46204 (US).
- (81) Designated States (national): AE, AG, AL, AM, AT, AU, AZ, BA, BB, BG, BR, BY, BZ, CA, CH, CN, CO, CR, CU, CZ, DE, DK, DM, DZ, EC, EE, ES, FI, GB, GD, GE, GH, GM, HR, HU, ID, IL, IN, IS, JP, KE, KG, KP, KR, KZ, LC, LK, LR, LS, LT, LU, LV, MA, MD, MG, MK, MN, MW, MX, MZ, NO, NZ, OM, PH, PL, PT, RO, RU, SD, SE, SG, SI, SK, SL, TJ, TM, TN, TR, TT, TZ, UA, UG, US, UZ, VN, YU, ZA, ZM, ZW.
- (84) Designated States (regional): ARIPO patent (GH, GM, KE, LS, MW, MZ, SD, SL, SZ, TZ, UG, ZM, ZW), Eurasian patent (AM, AZ, BY, KG, KZ, MD, RU, TJ, TM), European patent (AT, BE, CH, CY, DE, DK, ES, FI, FR, GB, GR, IE, IT, LU, MC, NL, PT, SE, TR), OAPI patent (BF, BJ, CF, CG, CI, CM, GA, GN, GQ, GW, ML, MR, NE, SN, TD, TG).
- Published:
— with international search report
- (88) Date of publication of the international search report:
10 April 2003
- For two-letter codes and other abbreviations, refer to the "Guidance Notes on Codes and Abbreviations" appearing at the beginning of each regular issue of the PCT Gazette.

(54) Title: BODY-MEMBER-ILLUMINATING PRESSURE CUFF FOR NONINVASIVE OPTICAL MEASUREMENT



(57) Abstract: A member-illuminating cuff (30) for measurement of systolic, means and diastolic pressure, oxygen saturation, pulse and respiratory rate in small body members, comprising a hinged cuff housing (32), one or more light sources (40, 42) mounted on a first section of the housing, a photodetector (44) mounted on a second section of the housing, and a disposable, inflatable cuff (46) adapted to fit within the cuff housing and around a body member placed therein.



WO 03/001180 A3

INTERNATIONAL SEARCH REPORT

International application No.

PCT/US02/19557

A. CLASSIFICATION OF SUBJECT MATTER		
IPC(7) : A61B 5/00, 5/02, 5/08		
US CL : 600/324, 344, 483, 485, 499, 502, 529		
According to International Patent Classification (IPC) or to both national classification and IPC		
B. FIELDS SEARCHED		
Minimum documentation searched (classification system followed by classification symbols) U.S. : 600/324, 344, 483, 485, 502, 529, 310, 322, 323, 340, 499		
Documentation searched other than minimum documentation to the extent that such documents are included in the fields searched		
Electronic data base consulted during the international search (name of data base and, where practicable, search terms used)		
C. DOCUMENTS CONSIDERED TO BE RELEVANT		
Category *	Citation of document, with indication, where appropriate, of the relevant passages	Relevant to claim No.
X	US 5,111,817 A (CLARK et al) 12 May 1992 (12.05.1992), column 4, line 15 - column 7, line 37 and column 8, line 50 - column 14, line 13.	5-8, 11-19
X	US 6,149,588 A (NODA et al) 21 November 2000 (21.11.2000), column 4, line 57 - column 5, line 48.	9, 10
<input type="checkbox"/> Further documents are listed in the continuation of Box C. <input type="checkbox"/> See patent family annex.		
* Special categories of cited documents:		
"A"	document defining the general state of the art which is not considered to be of particular relevance	"T" later document published after the international filing date or priority date and not in conflict with the application but cited to understand the principle or theory underlying the invention
"E"	earlier application or patent published on or after the international filing date	"X" document of particular relevance; the claimed invention cannot be considered novel or cannot be considered to involve an inventive step when the document is taken alone
"L"	document which may throw doubts on priority claim(s) or which is cited to establish the publication date of another citation or other special reason (as specified)	"Y" document of particular relevance; the claimed invention cannot be considered to involve an inventive step when the document is combined with one or more other such documents, such combination being obvious to a person skilled in the art
"O"	document referring to an oral disclosure, use, exhibition or other means	"&" document member of the same patent family
"P"	document published prior to the international filing date but later than the priority date claimed	
Date of the actual completion of the international search 23 August 2002 (23.08.2002)		Date of mailing of the international search report 15 JAN 2003
Name and mailing address of the ISA/US Commissioner of Patents and Trademarks Box PCT Washington, D.C. 20231 Facsimile No. (703)305-3230		Authorized officer <i>Eric F Winakur</i> Eric F Winakur Telephone No. 703/308-0858