



US00D892467S

(12) **United States Design Patent**
Yoo

(10) **Patent No.:** **US D892,467 S**

(45) **Date of Patent:** **** Aug. 11, 2020**

(54) **CAP WITH A SIZE ADJUSTING FASTENER**

(71) Applicant: **YUPOONG, INC.**, Seoul (KR)

(72) Inventor: **Heungsun Yoo**, Gimpo-si (KR)

(73) Assignee: **YUPOONG, INC.**, Seoul (KR)

(**) Term: **15 Years**

(21) Appl. No.: **29/639,871**

(22) Filed: **Mar. 9, 2018**

(51) **LOC (12) Cl.** **02-03**

(52) **U.S. Cl.**
USPC **D2/891**

(58) **Field of Classification Search**
USPC D2/865, 866, 869, 872, 874, 876, 877,
D2/880, 881, 882, 884, 891, 895; D11/3,
D11/6, 24, 200, 220
CPC A42B 1/00; A42B 1/002; A42B 1/004;
A42B 1/006; A42B 1/02; A42B 1/062;
A42B 1/064; A42B 1/205; A42B 1/22;
A42B 1/24
See application file for complete search history.

(56) **References Cited**

U.S. PATENT DOCUMENTS

D324,193 S *	2/1992	Wen-Long	D11/200
D342,595 S *	12/1993	Day	D11/200
D501,290 S *	2/2005	Zuloff	D2/866
D527,871 S *	9/2006	Rogers	D2/882
D770,148 S *	11/2016	Hwang	D2/891
D770,733 S *	11/2016	Hwang	D2/891
9,655,397 B2 *	5/2017	Cho	A42B 1/22

D836,477 S *	12/2018	Peng	D11/3
2014/0101820 A1 *	4/2014	Cho	A42B 1/22 2/171
2016/0278466 A1 *	9/2016	Hwang	A42B 1/22
2018/0153241 A1 *	6/2018	Cho	A42B 1/24

* cited by examiner

Primary Examiner — Jasmine Mlinarcik

(74) *Attorney, Agent, or Firm* — Lex IP Meister, PLLC

(57) **CLAIM**

The ornamental design for a cap with a size adjusting fastener, as shown and described.

DESCRIPTION

FIG. 1 is a perspective view of a cap with a size adjusting fastener showing my design;
 FIG. 2 is a front elevation view thereof;
 FIG. 3 is a back elevation view thereof;
 FIG. 4 is a left side elevation view thereof;
 FIG. 5 is a right side elevation view thereof;
 FIG. 6 is a top plan view thereof;
 FIG. 7 is a bottom plan view thereof;
 FIG. 8 is a top plan view of the cap with a size adjusting fastener secured together and removed from the cap of FIG. 1;
 FIG. 9 is a bottom plan view thereof;
 FIG. 10 is a top plan view of the cap with a size adjusting fastener separated and removed from the cap of FIG. 1; and,
 FIG. 11 is a bottom plan view thereof.

The broken lines depict portions of the cap with a size adjusting fastener that form no part of the claimed design.

1 Claim, 11 Drawing Sheets

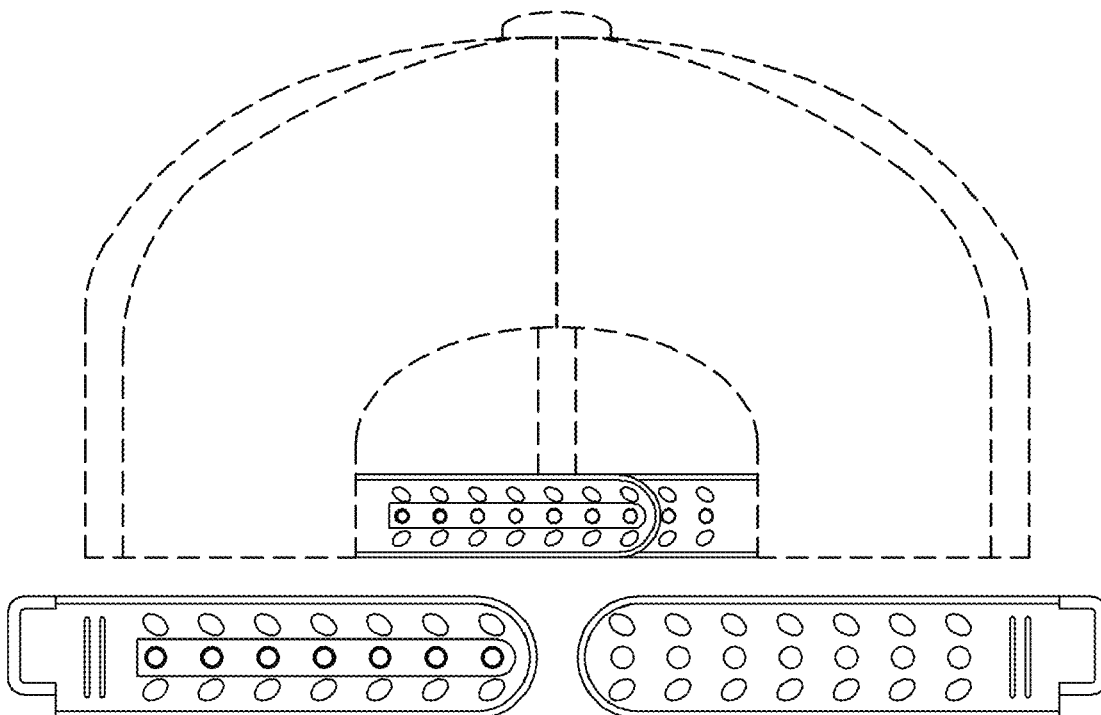


FIG. 1

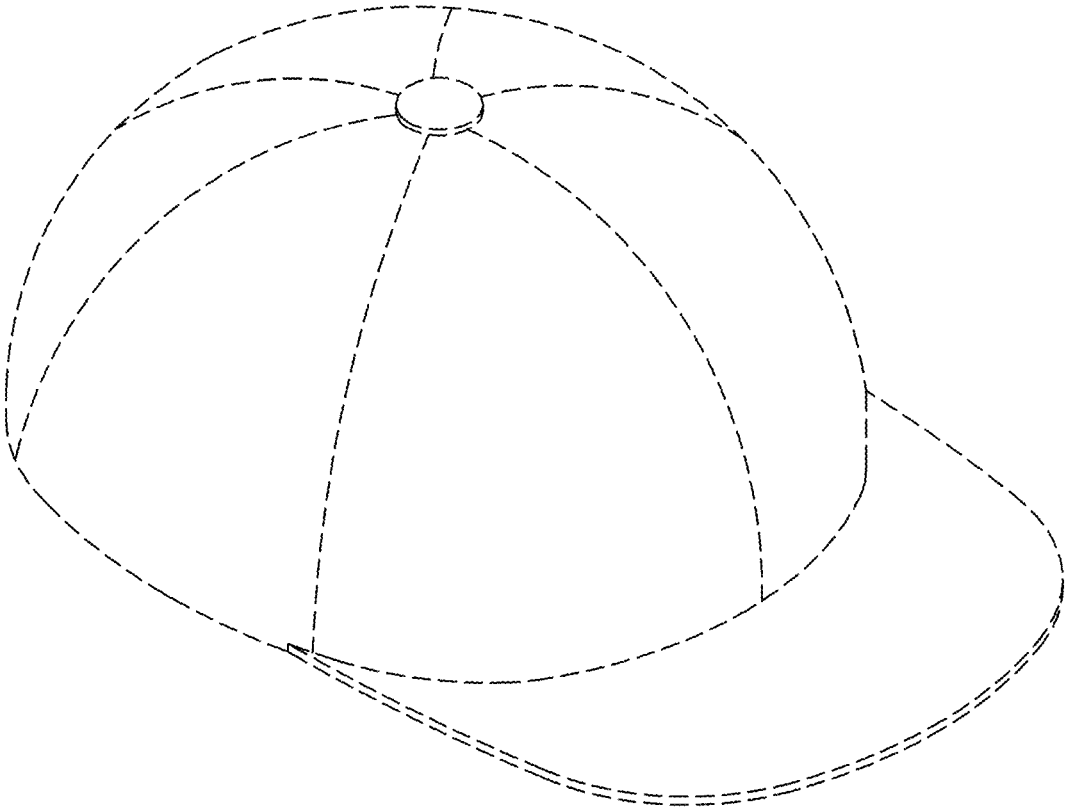


FIG. 2

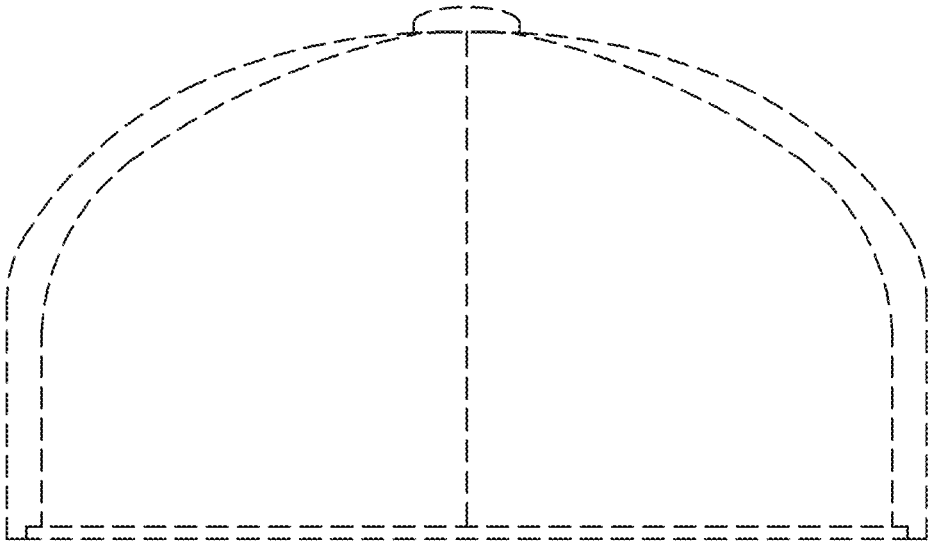


FIG. 3

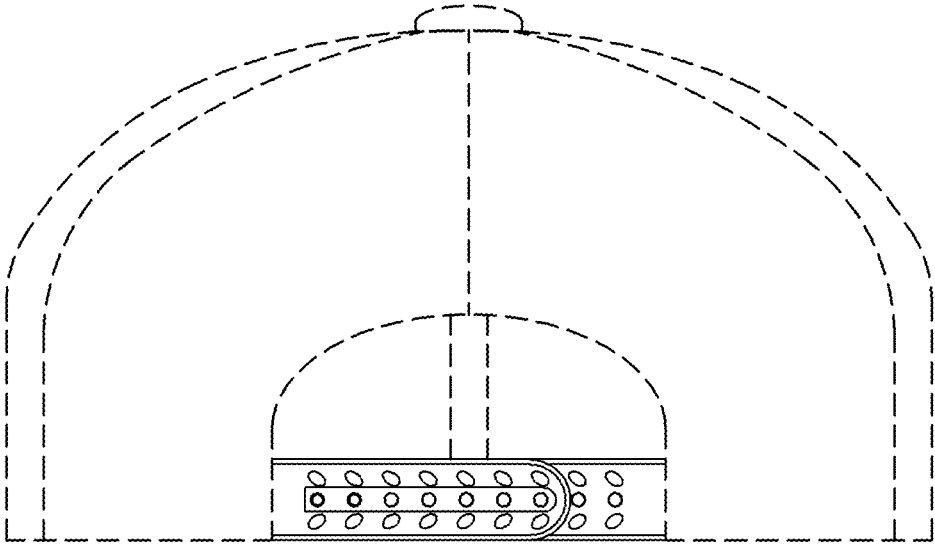


FIG. 4

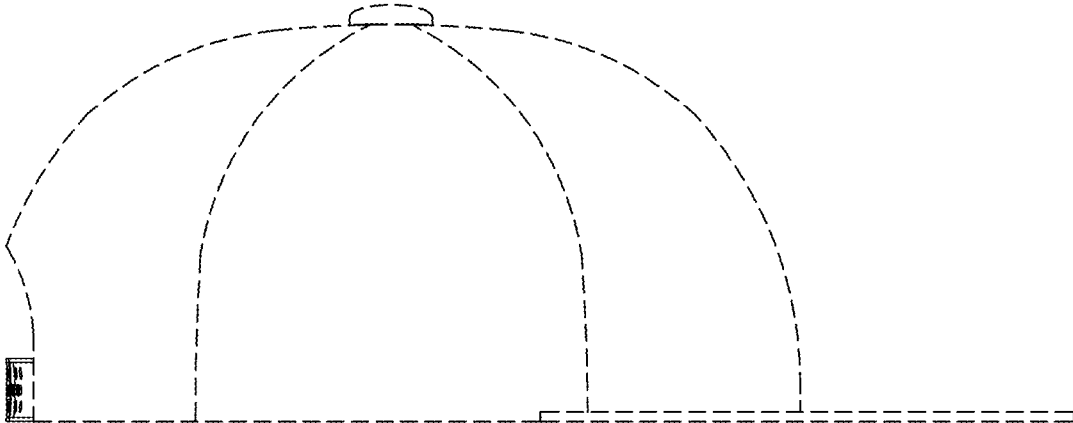


FIG. 5

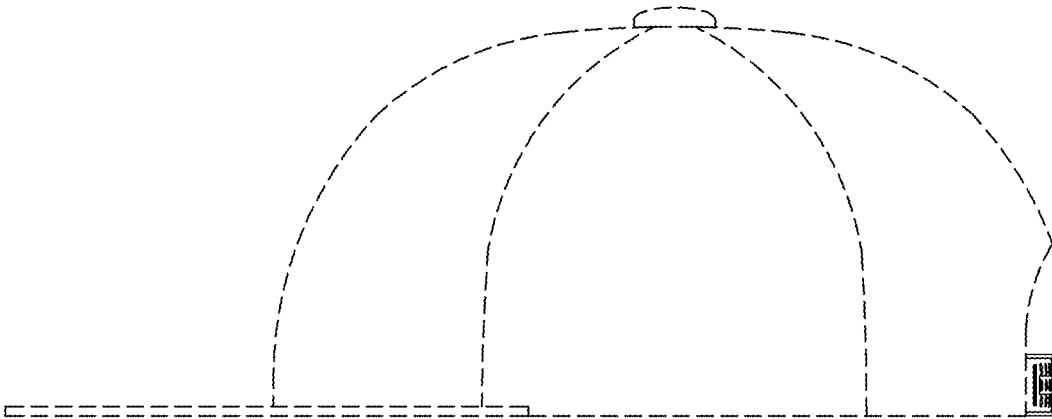


FIG. 6

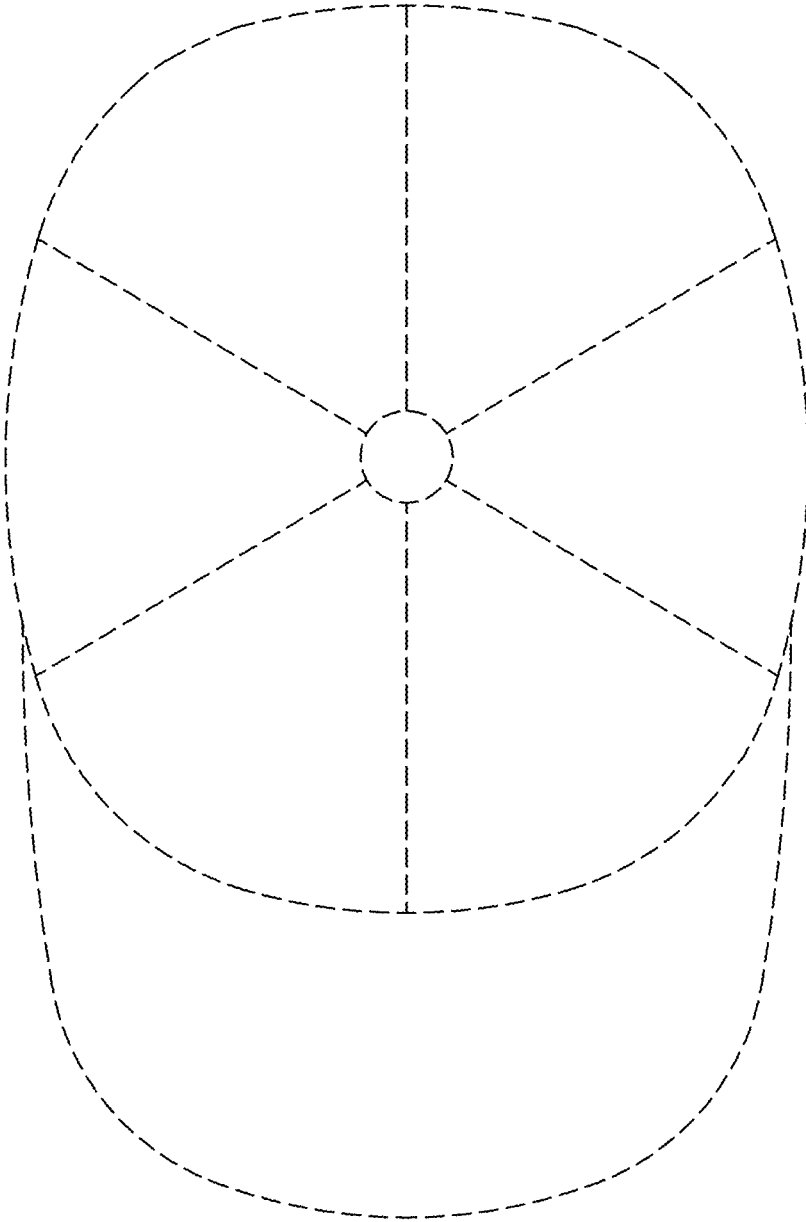


FIG. 7

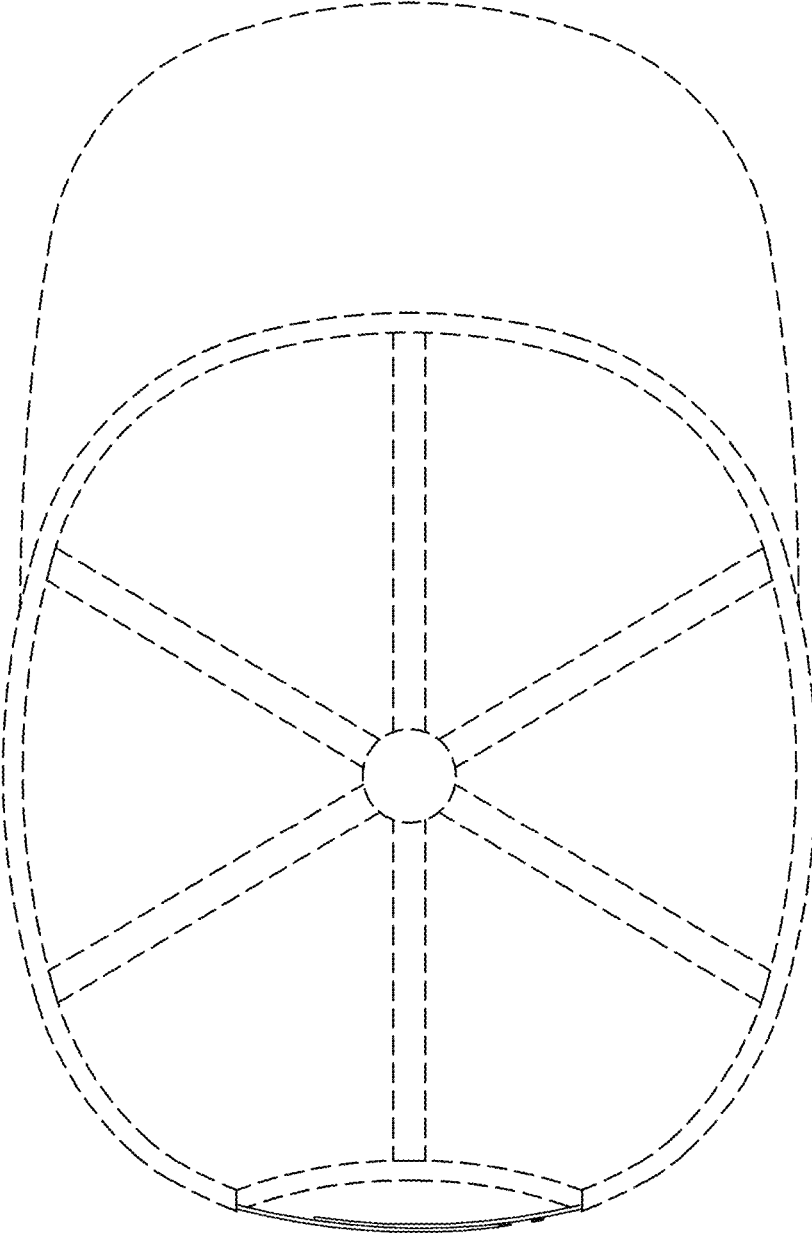


FIG. 8

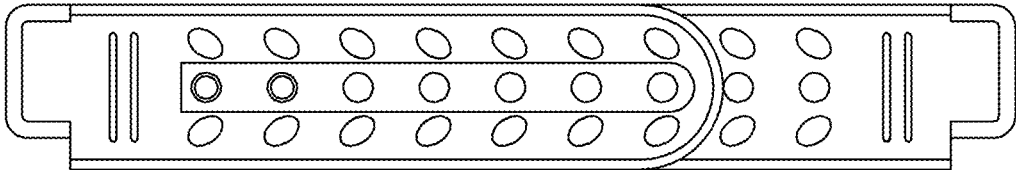


FIG. 9

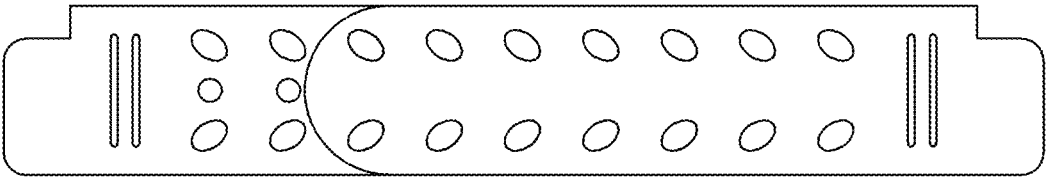


FIG. 10

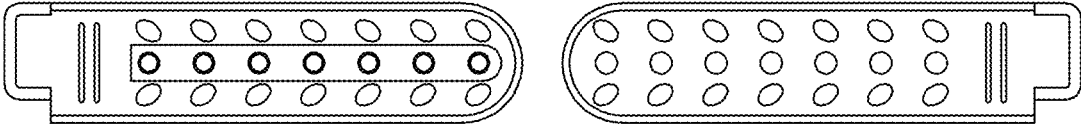


FIG. 11

