



US00D487266S

(12) **United States Design Patent** (10) **Patent No.:** **US D487,266 S**
Morimiya (45) **Date of Patent:** **** Mar. 2, 2004**

- (54) **MACHINE FOR IDENTIFYING FINGERPRINTS**
- (75) Inventor: **Yuji Morimiya, Tokyo (JP)**
- (73) Assignee: **Sony Corporation, Tokyo (JP)**
- (**) Term: **14 Years**
- (21) Appl. No.: **29/164,420**
- (22) Filed: **Jul. 25, 2002**
- (51) **LOC (7) Cl.** **14-02**
- (52) **U.S. Cl.** **D14/384**
- (58) **Field of Search** D14/383-387;
382/124-126, 181, 118; 355/64, 65, 75, 81; 235/382, 382.5, 375, 380; 250/556; 283/68-70, 117; 356/71; 118/31.5

- JP 1100843 S 2/2001
- JP 1147351 S 7/2002

OTHER PUBLICATIONS

“Finger ID,” New Electronic Products, vol. 20, No. 7, p. 13, Japan (Jul. 1, 2001).
 Nikkan Kogyo Shinbun, Business & Technology, p. 10 (Oct. 21, 1999).
 Denpa Shinbun, p. 2 (Jul. 18, 1998).
 Web page “Press Release, Fingseneor FS-200P & FS-200U,” <http://pr.fujitsu.com/jpnews/1999/Oct/20.html>, 2 sheets, Fujitsu.

* cited by examiner

Primary Examiner—Freda Nunn
 (74) *Attorney, Agent, or Firm*—Rader, Fishman & Grauer PLLC

(56) **References Cited**

U.S. PATENT DOCUMENTS

- 3,805,238 A * 4/1974 Rothfjell 382/118
- 4,614,366 A * 9/1986 North et al. 283/70
- 5,193,855 A * 3/1993 Shamos 283/117
- D368,892 S 4/1996 Tanaka
- 5,546,471 A * 8/1996 Merjanian 382/124
- D393,837 S * 4/1998 Umetsu et al. D14/384
- D397,683 S 9/1998 Sakamoto et al.
- D429,725 S 8/2000 Morimiya
- 6,111,977 A * 8/2000 Scott et al. 382/124
- 6,178,255 B1 * 1/2001 Scott et al. 382/124
- 6,263,090 B1 * 7/2001 Scott et al. 382/124

FOREIGN PATENT DOCUMENTS

- JP 1052349-1 S 10/1999

(57) **CLAIM**

The ornamental design for a machine for identifying fingerprints, as shown and described.

DESCRIPTION

FIG. 1 is a perspective view of a machine for identifying fingerprints showing my new design;
 FIG. 2 is a front elevational view thereof;
 FIG. 3 is a rear elevational view thereof;
 FIG. 4 is a left side elevational view thereof;
 FIG. 5 is a right side elevational view thereof; and,
 FIG. 6 is a top plan view thereof.
 Portions in broken lines in FIGS. 1-5 are for illustrative purposes only and form no part of claimed design.

1 Claim, 4 Drawing Sheets

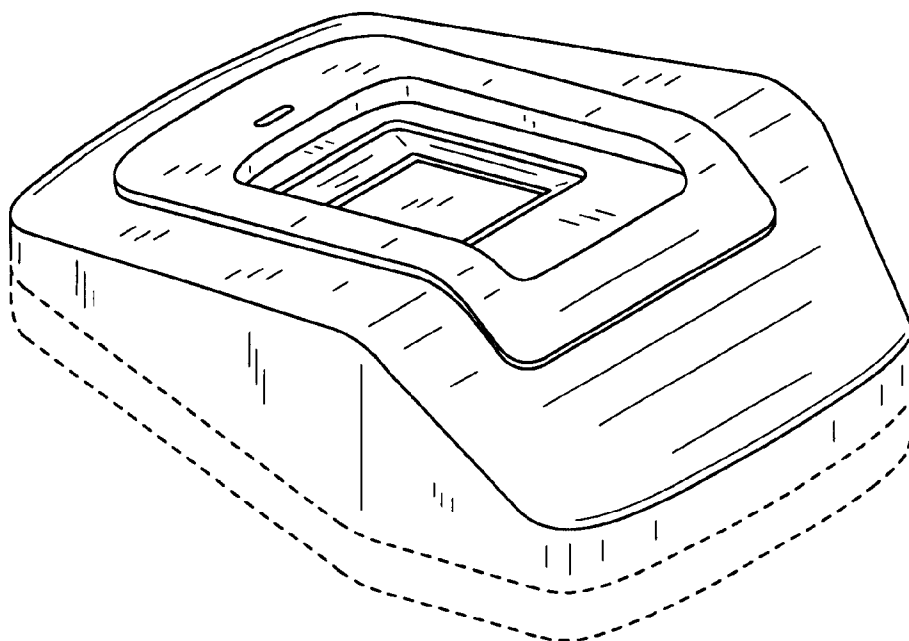


FIG. 1

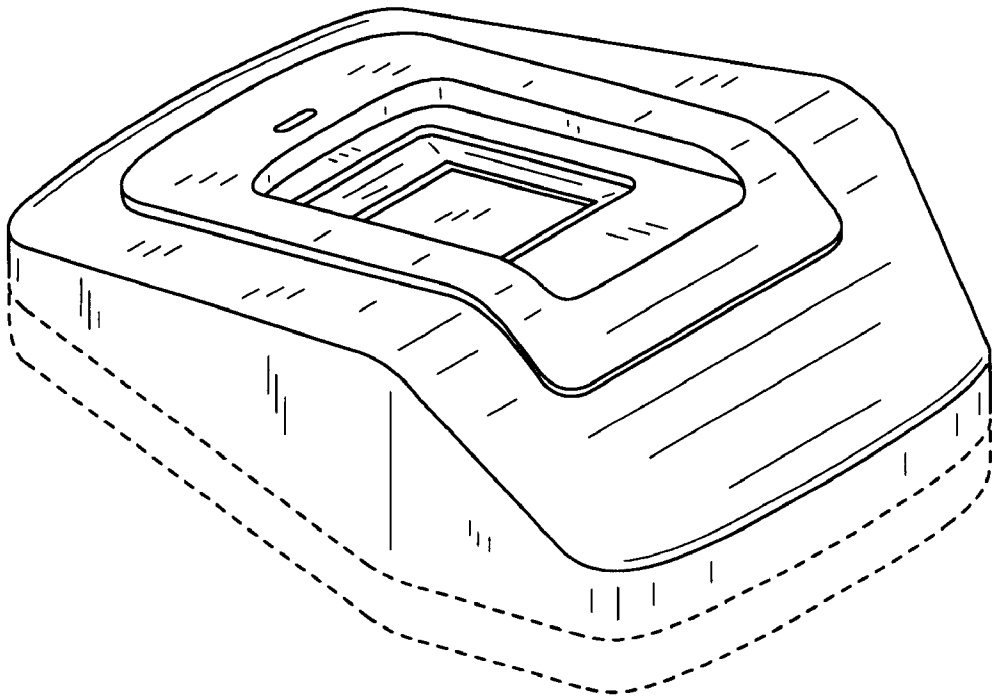


FIG. 2

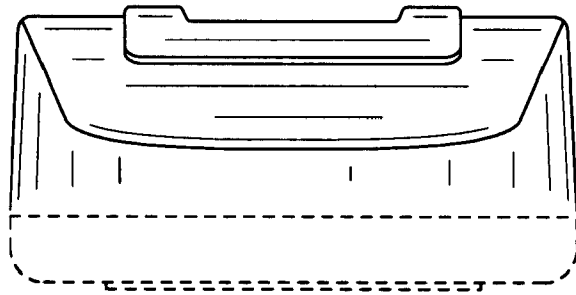


FIG. 3

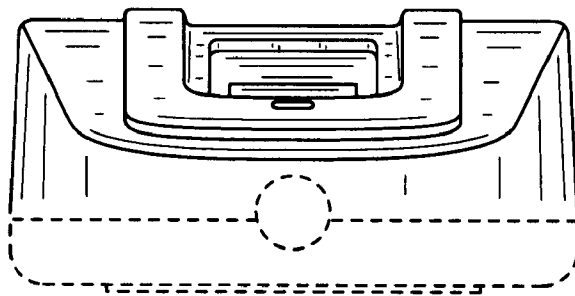


FIG. 4

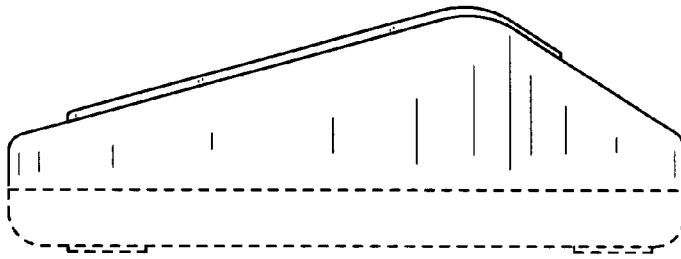


FIG. 5

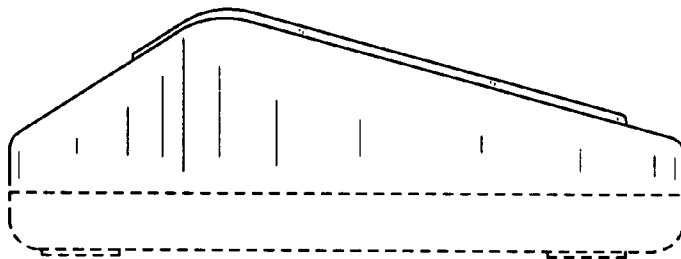


FIG. 6

