



US00D746453S

(12) **United States Design Patent**
Goertler et al.

(10) **Patent No.:** **US D746,453 S**

(45) **Date of Patent:** **** Dec. 29, 2015**

(54) **MALE ERECTION ENHANCEMENT LOOP**

(71) Applicants: **Angela Arlene Goertler**, West Richland, WA (US); **James Lee Goertler**, West Richland, WA (US)

(72) Inventors: **Angela Arlene Goertler**, West Richland, WA (US); **James Lee Goertler**, West Richland, WA (US)

(**) Term: **14 Years**

(21) Appl. No.: **29/474,619**

(22) Filed: **Nov. 25, 2014**

(51) **LOC (10) Cl.** **24-02**

(52) **U.S. Cl.**
USPC **D24/143**

(58) **Field of Classification Search**

USPC D24/105, 143, 126, 127, 190, 231;
128/842, 843, 844, 875, 876, 883, 885,
128/891; 600/38, 40, 41; 604/349, 353

CPC A61F 5/41; A61H 1/02
See application file for complete search history.

(56) **References Cited**

U.S. PATENT DOCUMENTS

1,511,572 A * 10/1924 Marshall A61F 5/41
600/39
3,554,184 A * 1/1971 Habib A61F 2/005
128/835
3,999,550 A * 12/1976 Martin A61F 5/453
604/353
4,381,000 A * 4/1983 Duncan A61F 5/41

600/39
4,875,491 A * 10/1989 Parrone A61F 6/04
128/844
D380,547 S * 7/1997 Carlsen D24/105
5,728,043 A * 3/1998 Yong A61F 5/41
600/39
D482,123 S * 11/2003 Jaquez D24/190

* cited by examiner

Primary Examiner — Wan Laymon

Assistant Examiner — Mark Booker

(74) *Attorney, Agent, or Firm* — Risto A. Rinne, Jr.

(57) **CLAIM**

The ornamental design for a male erection enhancement loop, as shown and described.

DESCRIPTION

FIG. 1 is a perspective view of our new design showing a male erection enhancement loop;

FIG. 2 is a front view of the male erection enhancement loop of FIG. 1;

FIG. 3 is a rear view of the male erection enhancement loop of FIG. 1;

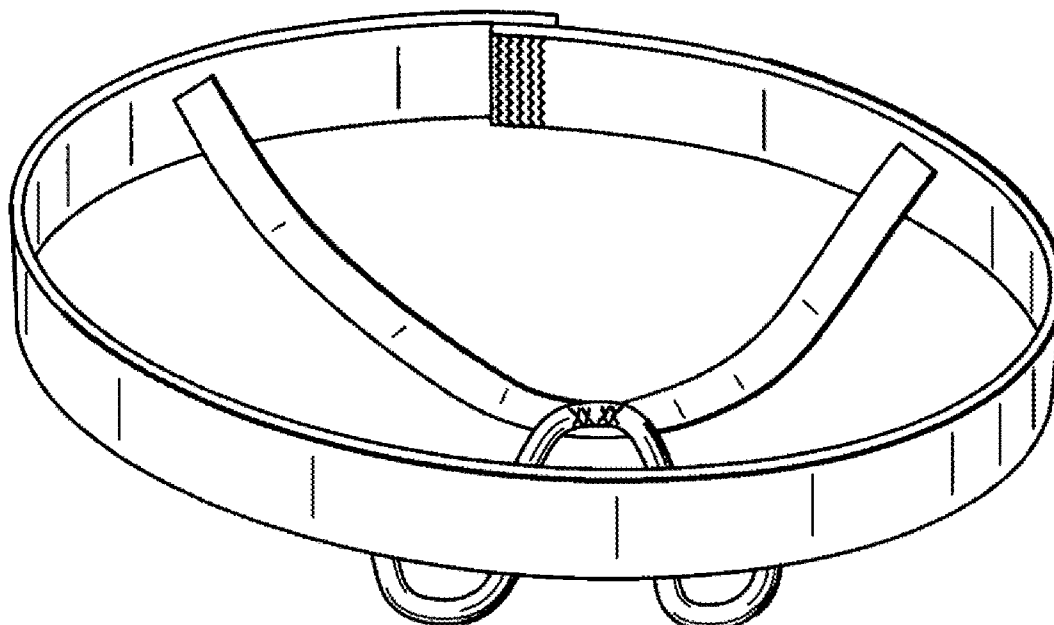
FIG. 4 is a left side view of the male erection enhancement loop of FIG. 1;

FIG. 5 is a right side view of the male erection enhancement loop of FIG. 1;

FIG. 6 is a top view of the male erection enhancement loop of FIG. 1; and,

FIG. 7 is a bottom view of the male erection enhancement loop of FIG. 1.

1 Claim, 4 Drawing Sheets



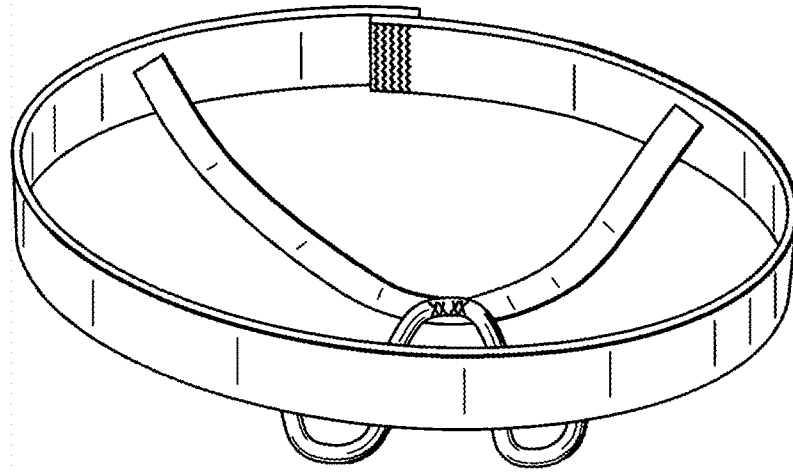


FIG. 1

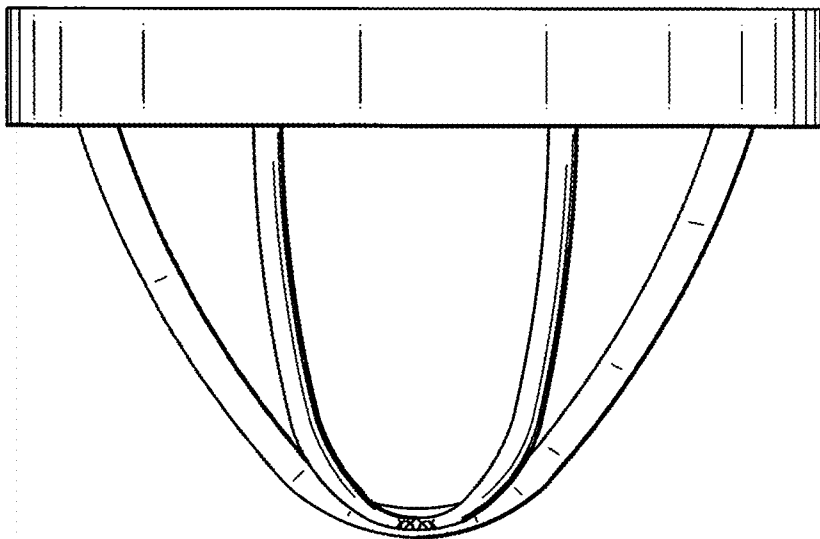


FIG. 2

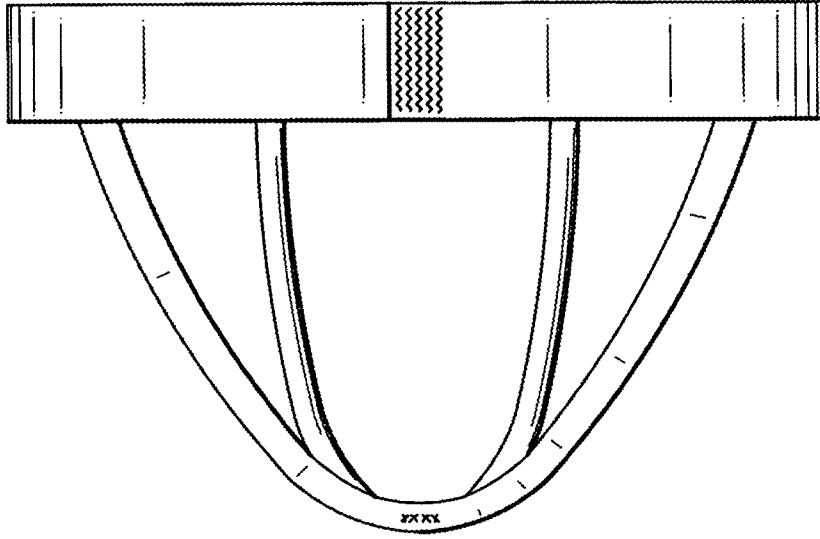


FIG. 3

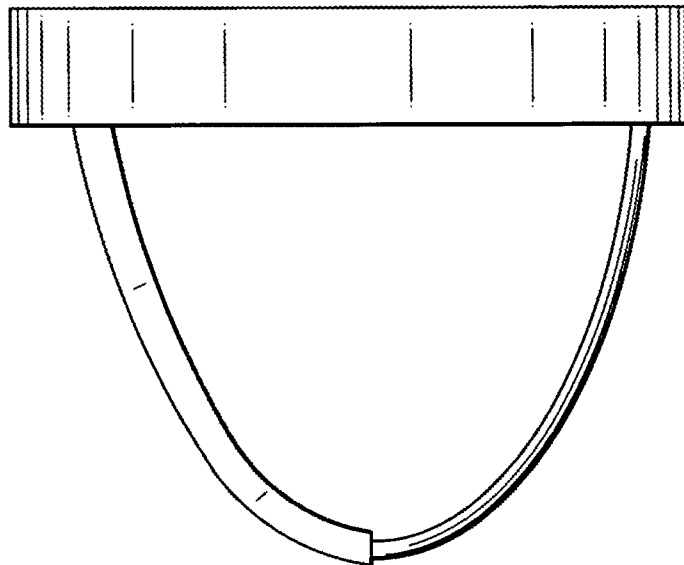


FIG. 4

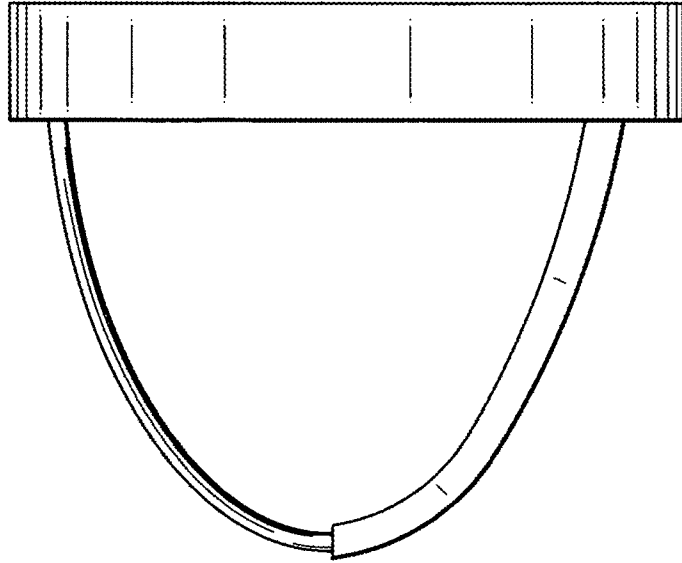


FIG. 5

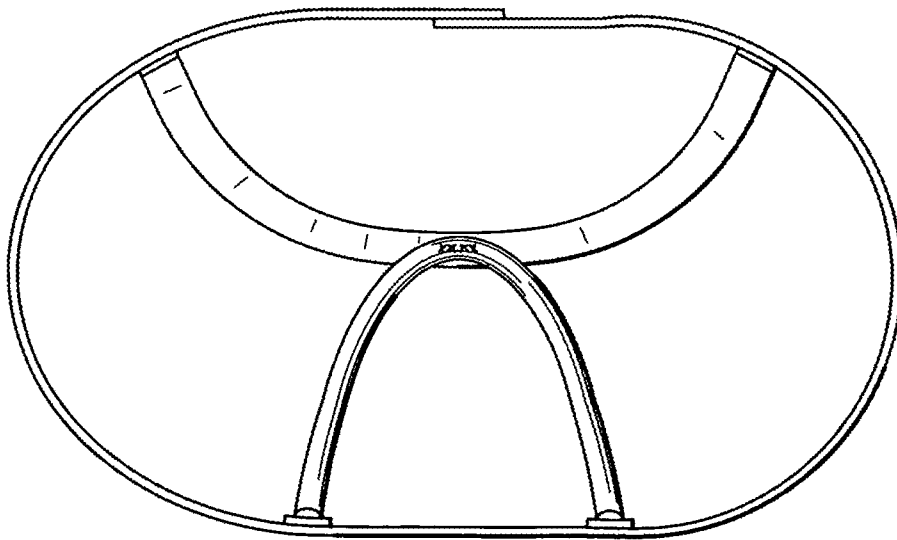


FIG. 6

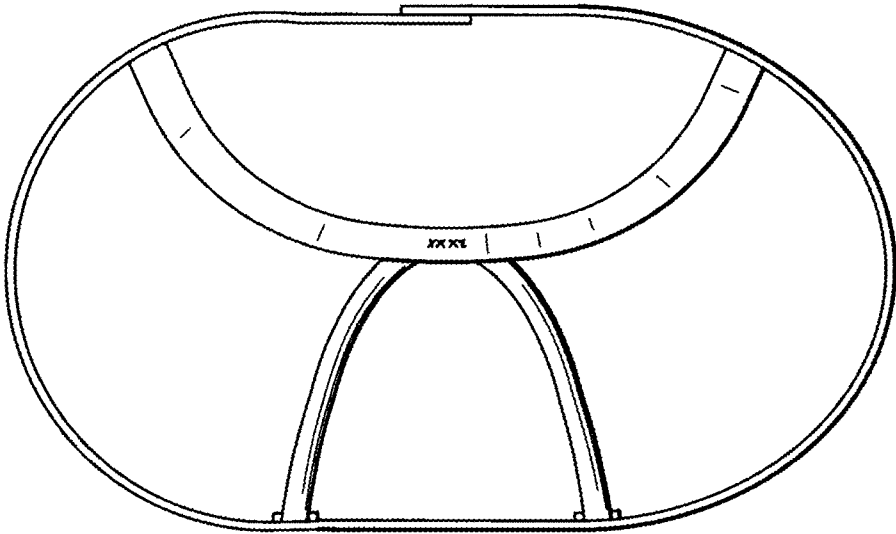


FIG.7