



US00D846014S

(12) **United States Design Patent**
Sakai

(10) **Patent No.:** **US D846,014 S**

(45) **Date of Patent:** **** Apr. 16, 2019**

(54) **BINOCULARS**

(71) Applicant: **FUJIFILM Corporation**, Tokyo (JP)

(72) Inventor: **Hiroyuki Sakai**, Saitama (JP)

(73) Assignee: **FUJIFILM Corporation**, Minato-Ku,
Tokyo (JP)

(**) Term: **15 Years**

(21) Appl. No.: **29/552,299**

(22) Filed: **Jan. 21, 2016**

(30) **Foreign Application Priority Data**

Jul. 22, 2015 (JP) 2015-016381
Sep. 28, 2015 (JP) 2015-021228

(51) **LOC (11) Cl.** **16-06**

(52) **U.S. Cl.**
USPC **D16/133**

(58) **Field of Classification Search**

USPC D3/136; D16/130, 132, 133, 136
CPC G02B 2027/0123; G02B 2027/0132; G02B
7/06; G02B 7/12; G02B 23/00; G02B
23/16; G02B 2027/0134; G02B 27/26;
G02B 23/18

See application file for complete search history.

(56) **References Cited**

U.S. PATENT DOCUMENTS

2,882,791 A * 4/1959 Moller G02B 23/18
359/363
D306,606 S * 3/1990 Yamanaka D16/133
D360,215 S * 7/1995 Moro D16/133
D364,631 S * 11/1995 Hamamura D16/133
D375,106 S * 10/1996 Matsuda D16/133
D376,167 S * 12/1996 Hayamizu D16/133
D418,850 S * 1/2000 Lee D16/133

D421,997 S * 3/2000 Kawahata D16/133
D424,590 S * 5/2000 Hashimoto D16/133
D427,220 S * 6/2000 Lee D16/133
D428,031 S * 7/2000 Inaba D16/133
D430,586 S * 9/2000 Inaba D16/133
D457,541 S * 5/2002 Hayashi D16/133
D473,247 S * 4/2003 Koinuma D16/133
D502,718 S * 3/2005 Matsushita D16/133
D508,253 S * 8/2005 Hayamizu D16/133
D508,706 S * 8/2005 Hayamizu D16/133
D522,033 S * 5/2006 Kitera D16/133
D523,885 S * 6/2006 Hayashi D16/133
D590,857 S * 4/2009 Fujii D16/133

(Continued)

Primary Examiner — Mark A Goodwin

Assistant Examiner — Benjamin M Weeks

(74) *Attorney, Agent, or Firm* — Sughrue Mion, PLLC

(57) **CLAIM**

The ornamental design for binoculars, as shown and described.

DESCRIPTION

FIG. 1 is a perspective view of the binoculars, viewed from above and to the left of a front side thereof;

FIG. 2 is a perspective view of the embodiment, viewed from above and to the right of the front side;

FIG. 3 is a front view thereof;

FIG. 4 is a rear view thereof;

FIG. 5 is a top view thereof;

FIG. 6 is a bottom view thereof;

FIG. 7 is a right side view thereof;

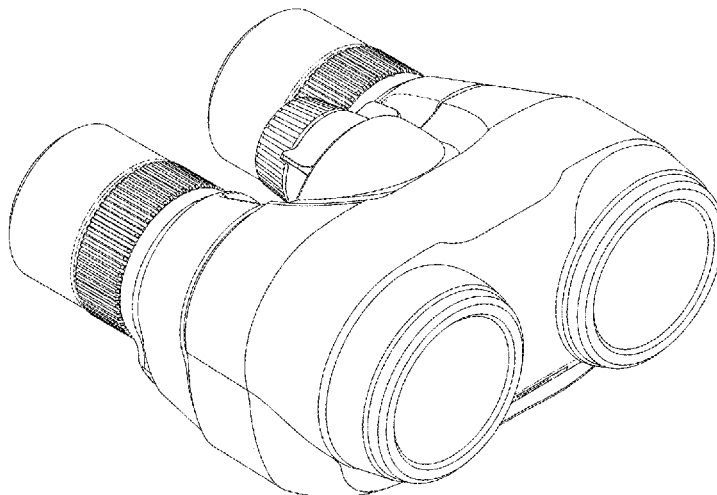
FIG. 8 is a left side view thereof;

FIG. 9 is a rear view thereof in a state in which the eye width is widened; and,

FIG. 10 is a rear view thereof in a state in which the eye width is narrowed.

The broken lines show portions of the binoculars that are not being claimed, and thus form no part of the claimed design.

1 Claim, 10 Drawing Sheets



(56)

References Cited

U.S. PATENT DOCUMENTS

D662,118 S * 6/2012 Soejima D16/133
D687,081 S * 7/2013 Radau D16/133

* cited by examiner

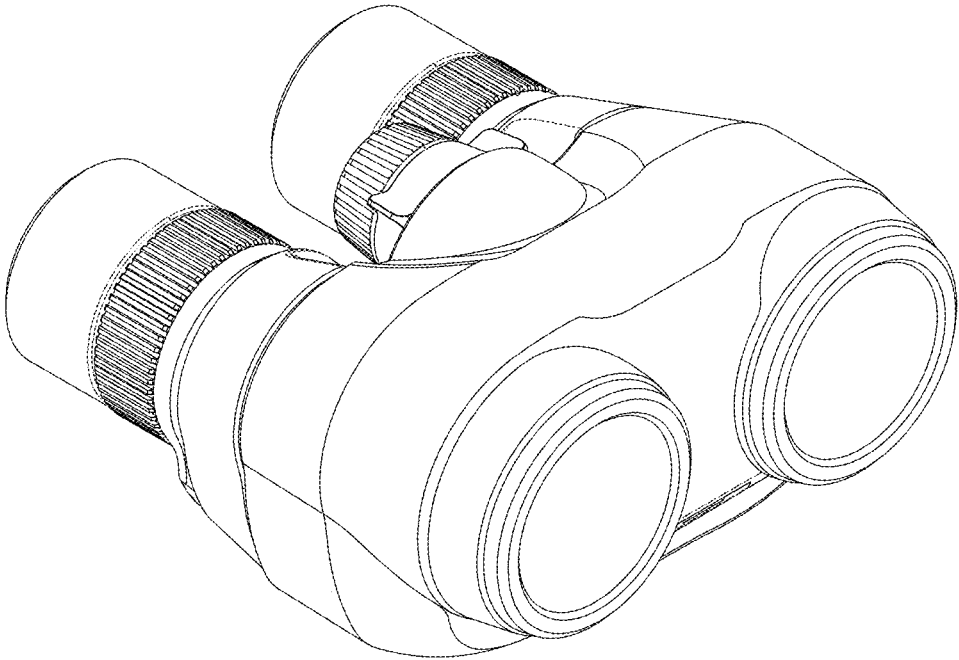


FIG.1

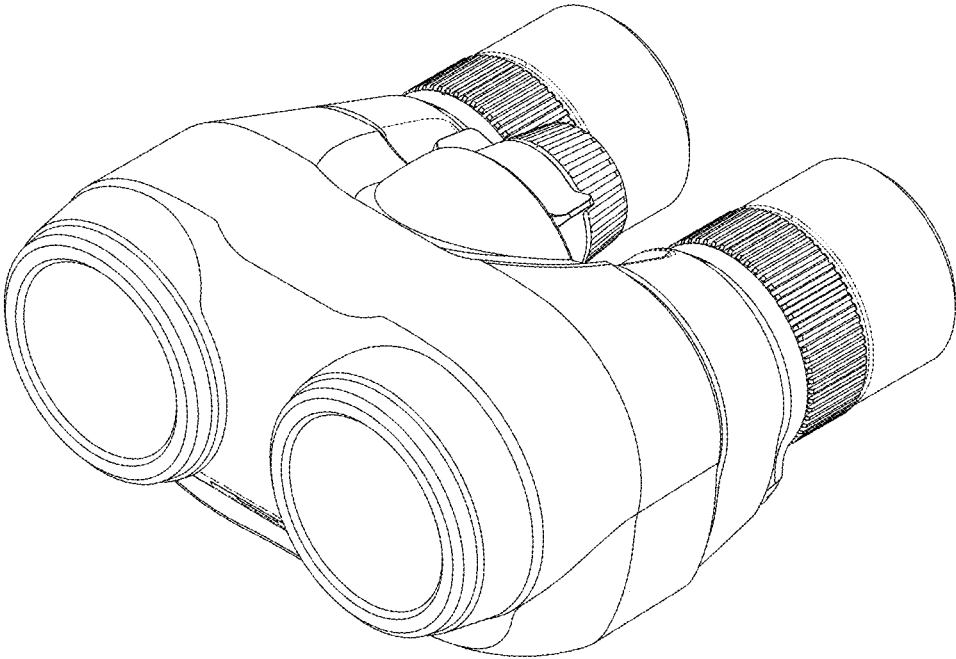


FIG.2

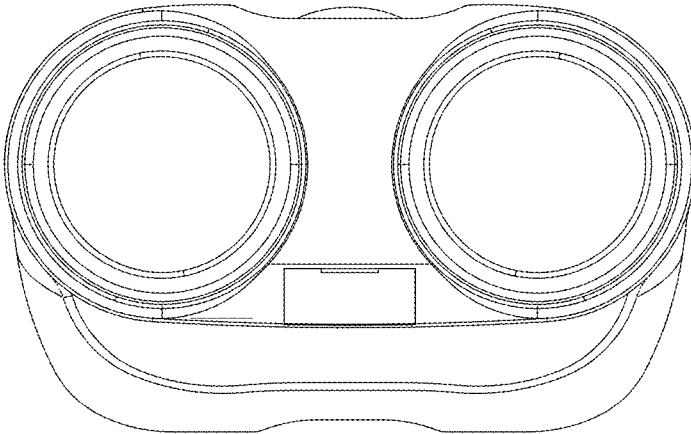


FIG.3

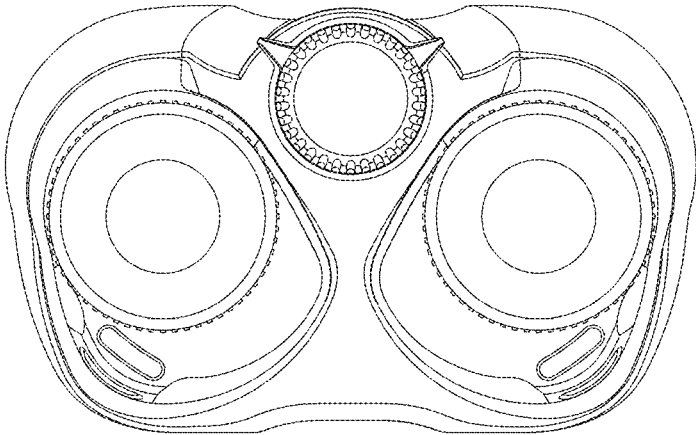


FIG.4

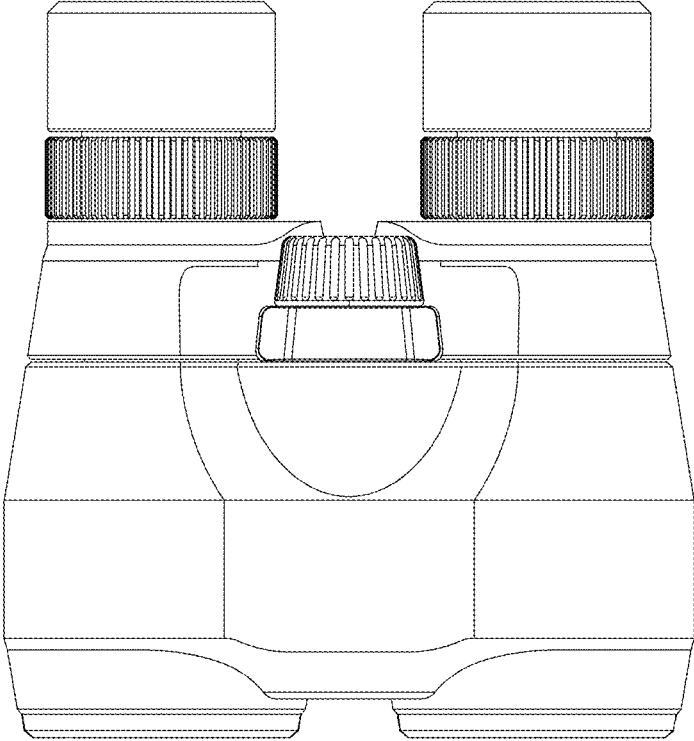


FIG.5

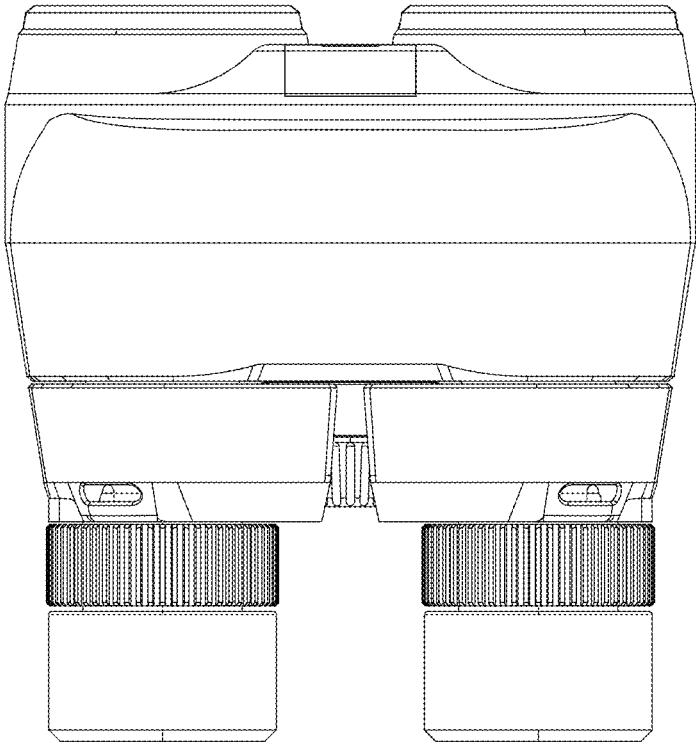


FIG.6

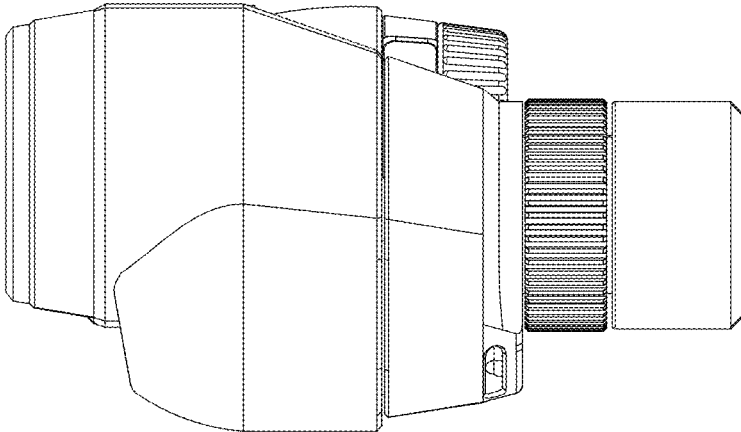


FIG.7

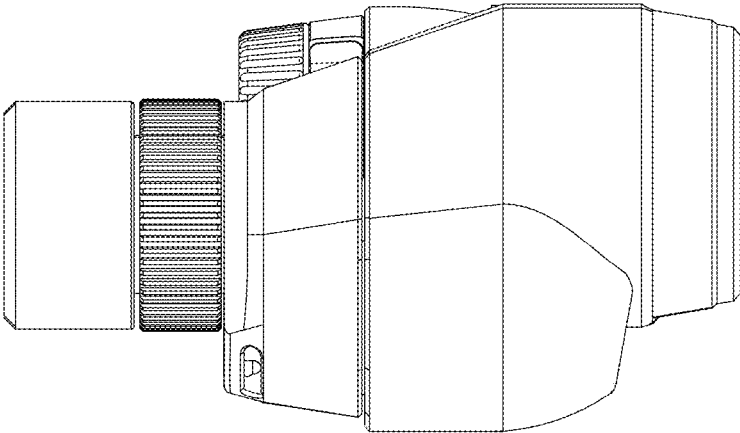


FIG.8

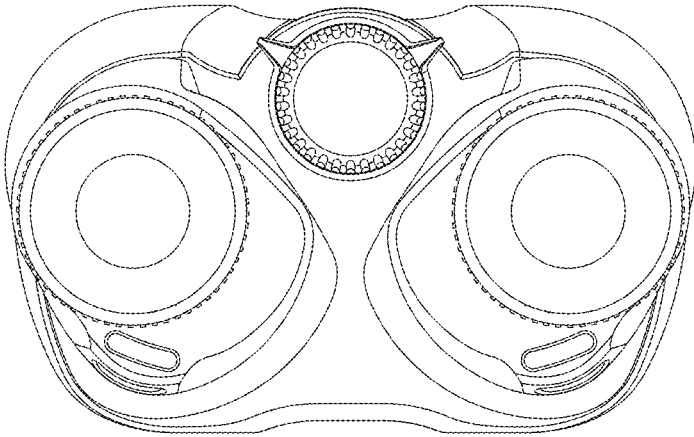


FIG.9

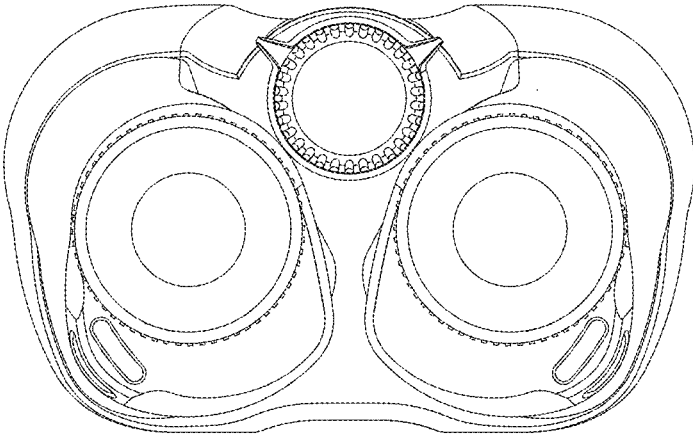


FIG.10