



US00D915312S

(12) **United States Design Patent**  
**Alfredsson et al.**

(10) **Patent No.:** **US D915,312 S**  
(45) **Date of Patent:** **\*\* Apr. 6, 2021**

(54) **ELECTRONIC DEVICE HOUSING**

**DESCRIPTION**

- (71) Applicant: **ABB Schweiz AG**, Baden (CH)
- (72) Inventors: **Fredrik Alfredsson**, Västerås (SE);  
**Mikael Edoff**, Saltsjö-Boo (SE)
- (73) Assignee: **ABB Schweiz AG**, Baden (CH)
- (\*\*) Term: **15 Years**
- (21) Appl. No.: **29/687,631**
- (22) Filed: **Apr. 15, 2019**
- (30) **Foreign Application Priority Data**
  - Oct. 15, 2018 (EM) ..... 005798378
  - Apr. 5, 2019 (EM) ..... 006370771
- (51) **LOC (13) Cl.** ..... **13-03**
- (52) **U.S. Cl.**  
USPC ..... **D13/184**; D13/110; D13/123
- (58) **Field of Classification Search**  
USPC ..... D13/110, 123, 158, 162, 184, 199;  
D14/301, 439

(Continued)

(56) **References Cited**

**U.S. PATENT DOCUMENTS**

- D348,269 S \* 6/1994 Chong ..... D13/184
  - D373,362 S \* 9/1996 Kuroiwa ..... D13/184
- (Continued)

**OTHER PUBLICATIONS**

ABB Launches new microgrid system to boost use of renewables;  
Oct. 10, 2016; 1 pg.; <https://www.windpowerengineering.com/abb-launches-new-microgrid-system-boost-use-renewables/>.\*

(Continued)

*Primary Examiner* — Selina Sikder  
(74) *Attorney, Agent, or Firm* — Slater Matsil, LLP

(57) **CLAIM**

The ornamental design for a electronic device housing, as shown and described.

FIG. 1 is a top, front isometric view of a first embodiment of a electronic device housing in accordance with-the new design;

FIG. 2 is a left side elevational view of the embodiment shown in FIG. 1;

FIG. 3 is a right side elevational view of the embodiment shown in FIG. 1;

FIG. 4 is a front elevational view of the embodiment shown in FIG. 1;

FIG. 5 is a rear elevational view of the embodiment shown in FIG. 1;

FIG. 6 is a top plan view of the embodiment shown in FIG. 1;

FIG. 7 is a bottom plan view of the embodiment shown in FIG. 1;

FIG. 8 is a top, front isometric view of a second embodiment of the electronic device housing in accordance with the new design;

FIG. 9 is a left side elevational view of the embodiment shown in FIG. 8;

FIG. 10 is a right side elevational view of the embodiment shown in FIG. 8;

FIG. 11 is a front elevational view of the embodiment shown in FIG. 8;

FIG. 12 is a rear elevational view of the embodiment shown in FIG. 8;

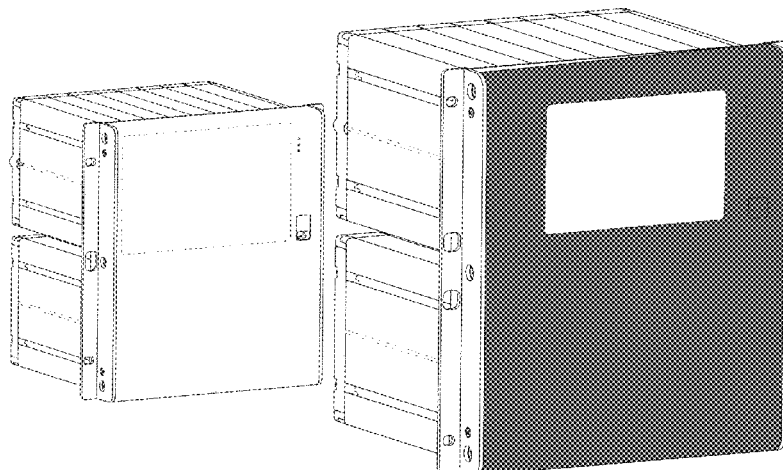
FIG. 13 is a top plan view of the embodiment shown in FIG. 8; and,

FIG. 14 is a bottom plan view of the embodiment shown in FIG. 8.

The broken line portions of the figure drawings are included to show unclaimed subject matter only and form no part of the claimed design.

The dash-dot broken lines define the bounds of the claimed design and form no part thereof.

**1 Claim, 14 Drawing Sheets**



(58) **Field of Classification Search**

CPC ..... G05B 9/02; G05B 19/05; G05B 19/054;  
 G05B 19/056; G06F 1/182; G06F 1/183;  
 G06F 1/26; H05K 7/1462; H05K 7/1467;  
 H05K 7/1474; H05K 7/1432; H02B 1/26;  
 H02B 1/30; H02B 1/305

See application file for complete search history.

(56) **References Cited**

U.S. PATENT DOCUMENTS

D424,529 S \* 5/2000 Raspotnig ..... D13/184  
 D437,586 S \* 2/2001 Sonntag ..... D13/184  
 D493,771 S \* 8/2004 Pagella ..... D13/110  
 D506,977 S \* 7/2005 Lee ..... D13/110  
 D643,376 S \* 8/2011 Naumann ..... D13/160  
 D702,198 S \* 4/2014 Gretz ..... D13/184  
 D707,187 S \* 6/2014 Mauchle ..... D13/162  
 D719,105 S \* 12/2014 Shin ..... D13/159  
 D762,495 S \* 8/2016 Tanaka ..... D10/50  
 D772,171 S \* 11/2016 Ohmori ..... D13/158  
 D823,798 S \* 7/2018 Gleave ..... D13/110  
 D860,957 S \* 9/2019 Gao ..... D13/184

D867,304 S \* 11/2019 Tsurumi ..... D13/159  
 10,547,161 B1 \* 1/2020 Lin ..... H02B 1/305  
 D877,701 S \* 3/2020 Byrne ..... D13/139.4  
 10,707,768 B2 \* 7/2020 Voegeli ..... H05K 7/20009  
 2004/0008492 A1 \* 1/2004 Kato ..... G05B 19/0421  
 361/715  
 2011/0222244 A1 \* 9/2011 Takashiro ..... H05K 7/1432  
 361/704  
 2011/0242770 A1 \* 10/2011 Yamanaka ..... H05K 7/1432  
 361/728  
 2013/0016481 A1 \* 1/2013 Takahashi ..... H05K 7/20418  
 361/724  
 2019/0165687 A1 \* 5/2019 Yamazawa ..... B32B 15/082  
 2020/0059163 A1 \* 2/2020 Koshii ..... H02M 7/003

OTHER PUBLICATIONS

Rolls-Royce and ABB partner to develop microrgrid solution for business; Apr. 2, 2019; 1 pg. ; <https://www.edie.net/news/8/Rolls-Royce-and-ABB-partner-to-develop-microgrid-solution-for-business/>.\*

\* cited by examiner

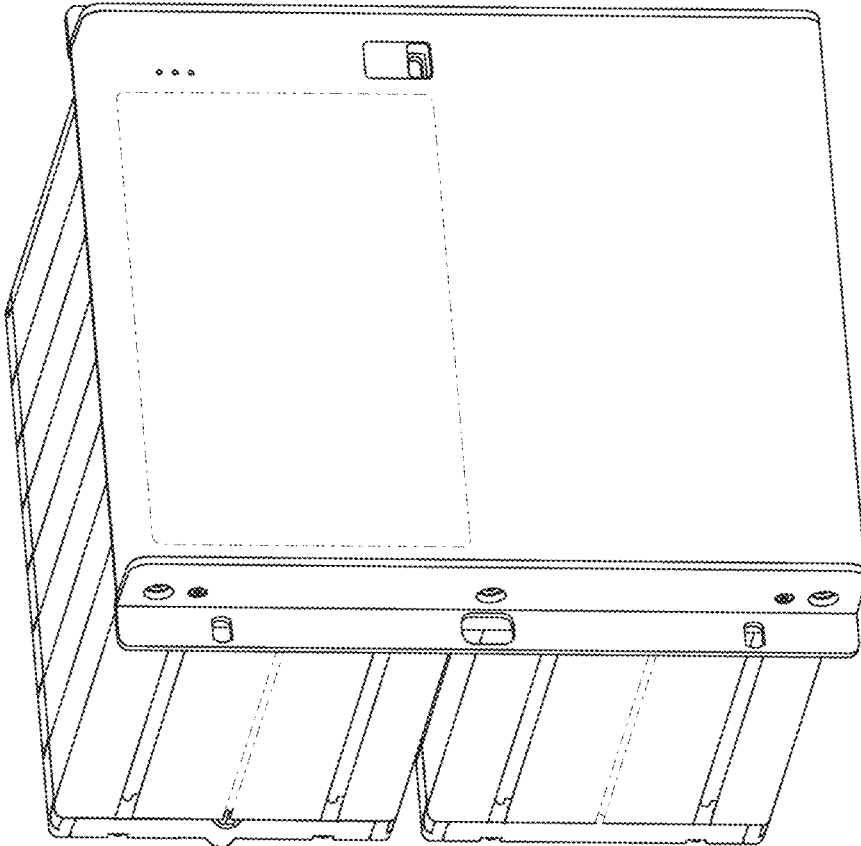


FIG. 1

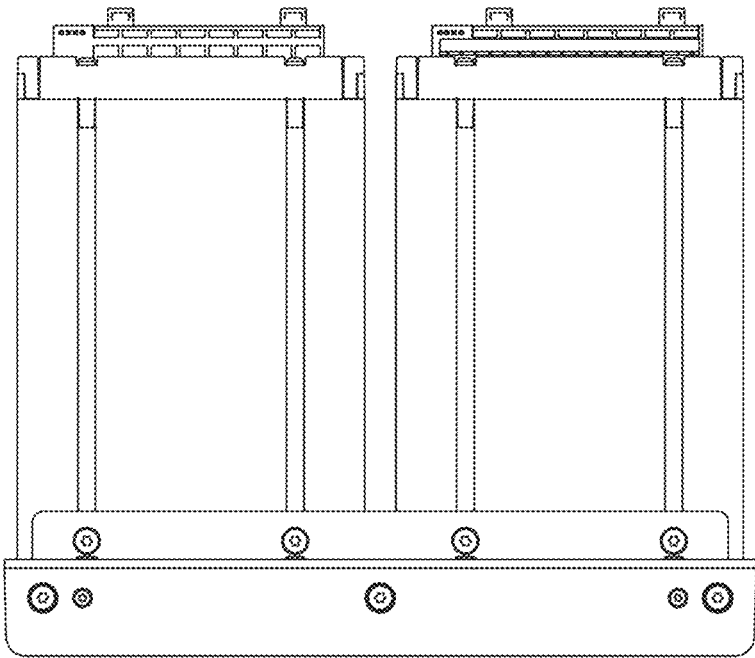


FIG. 2

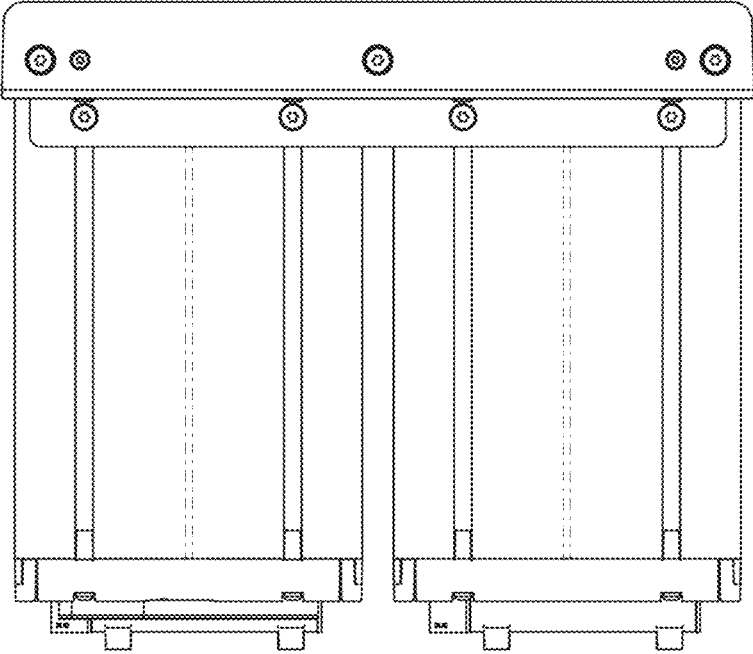


FIG. 3

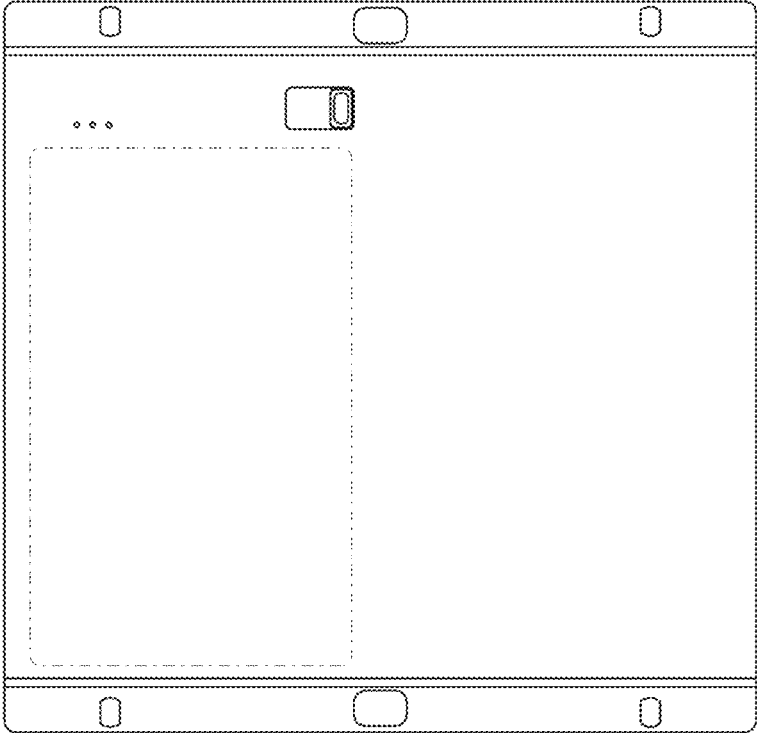


FIG. 4

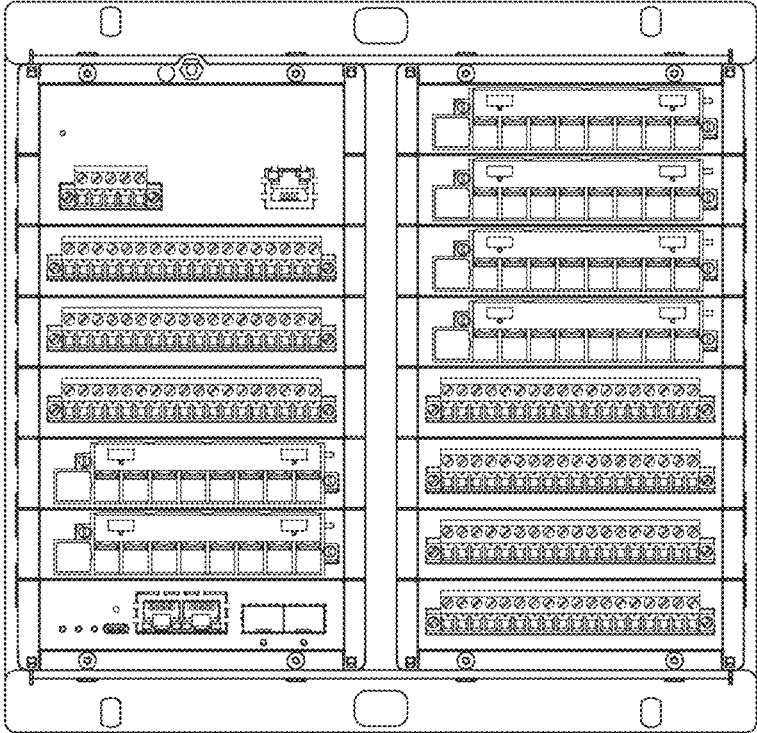


FIG. 5

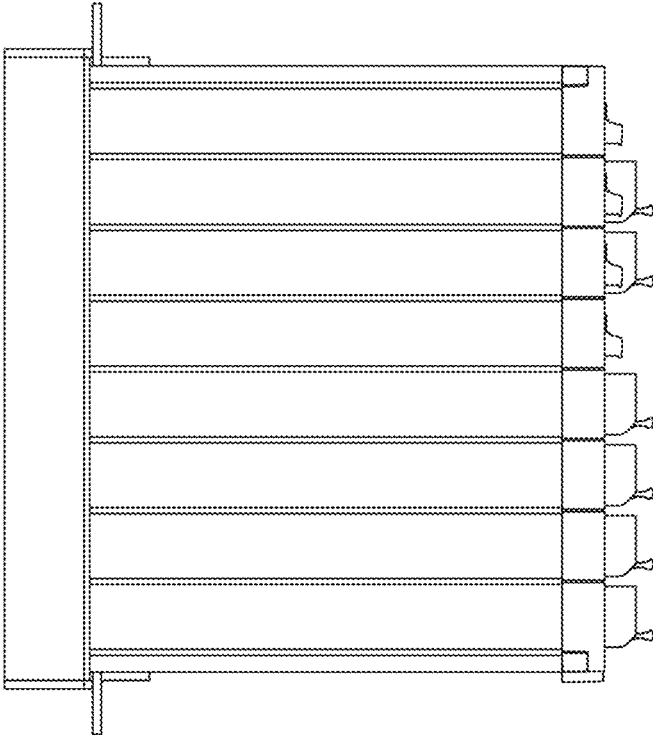


FIG. 6



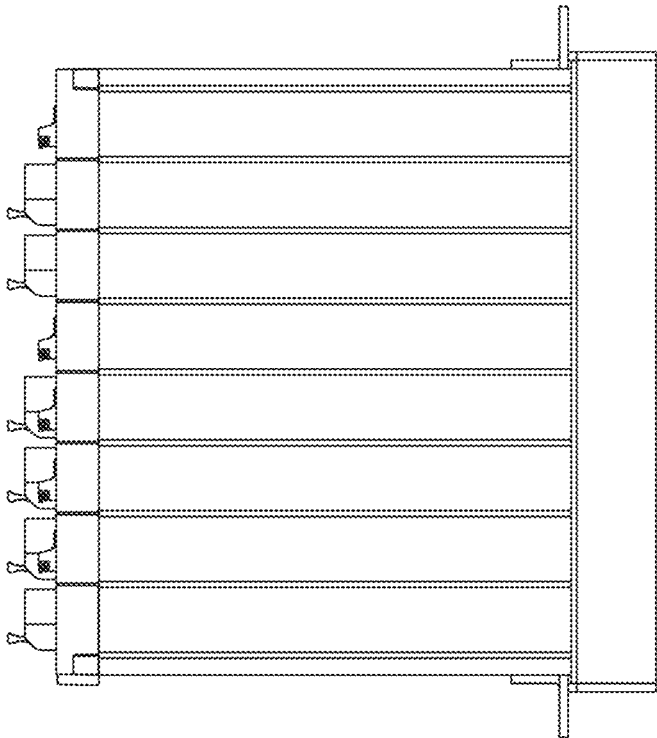


FIG. 7

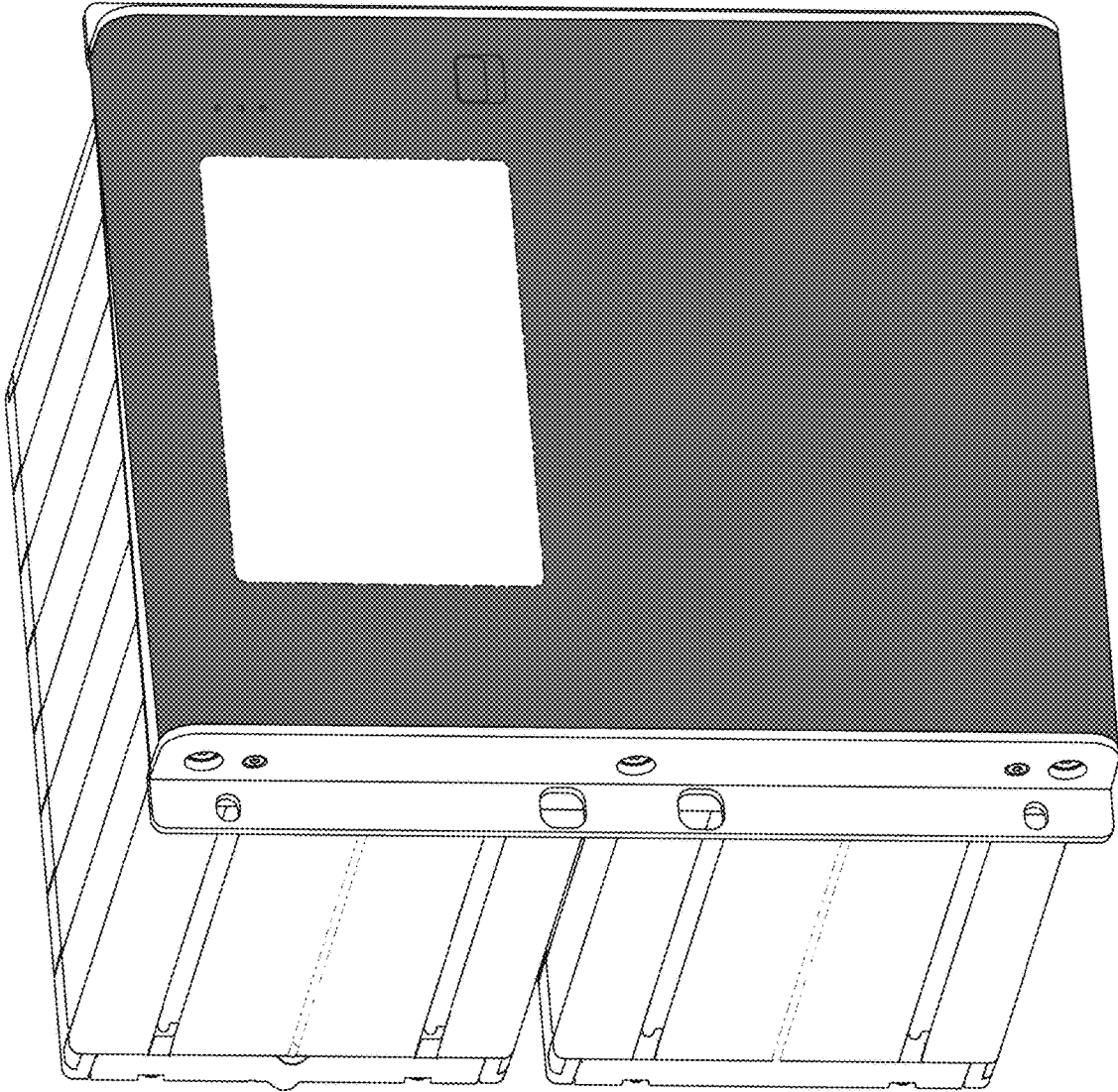


FIG. 8

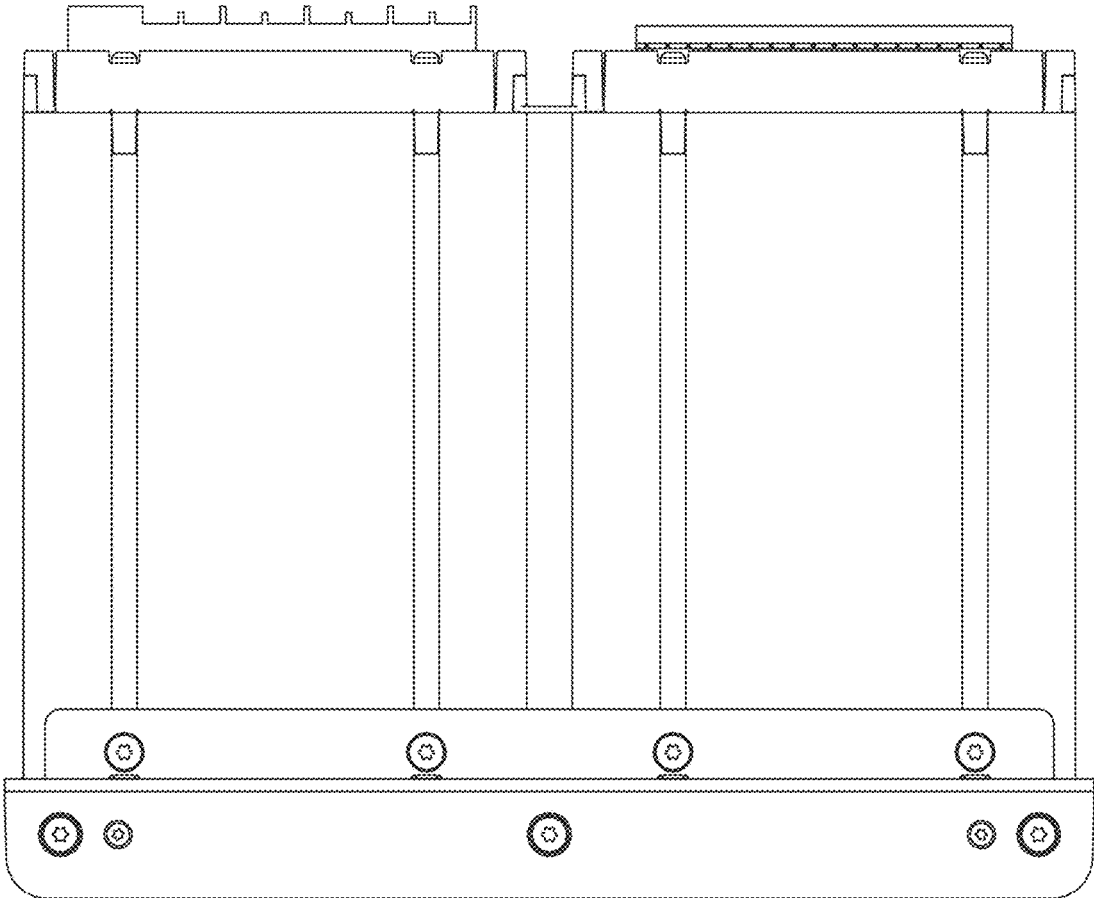


FIG. 9

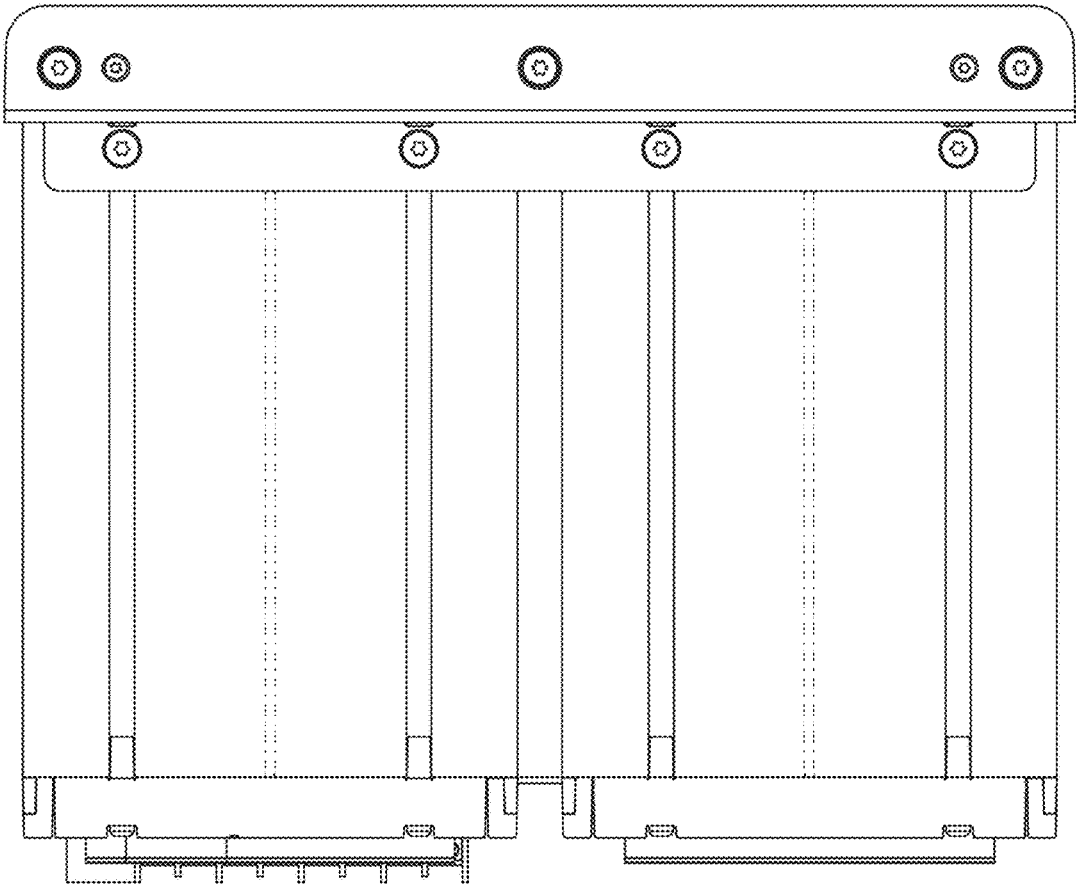


FIG. 10

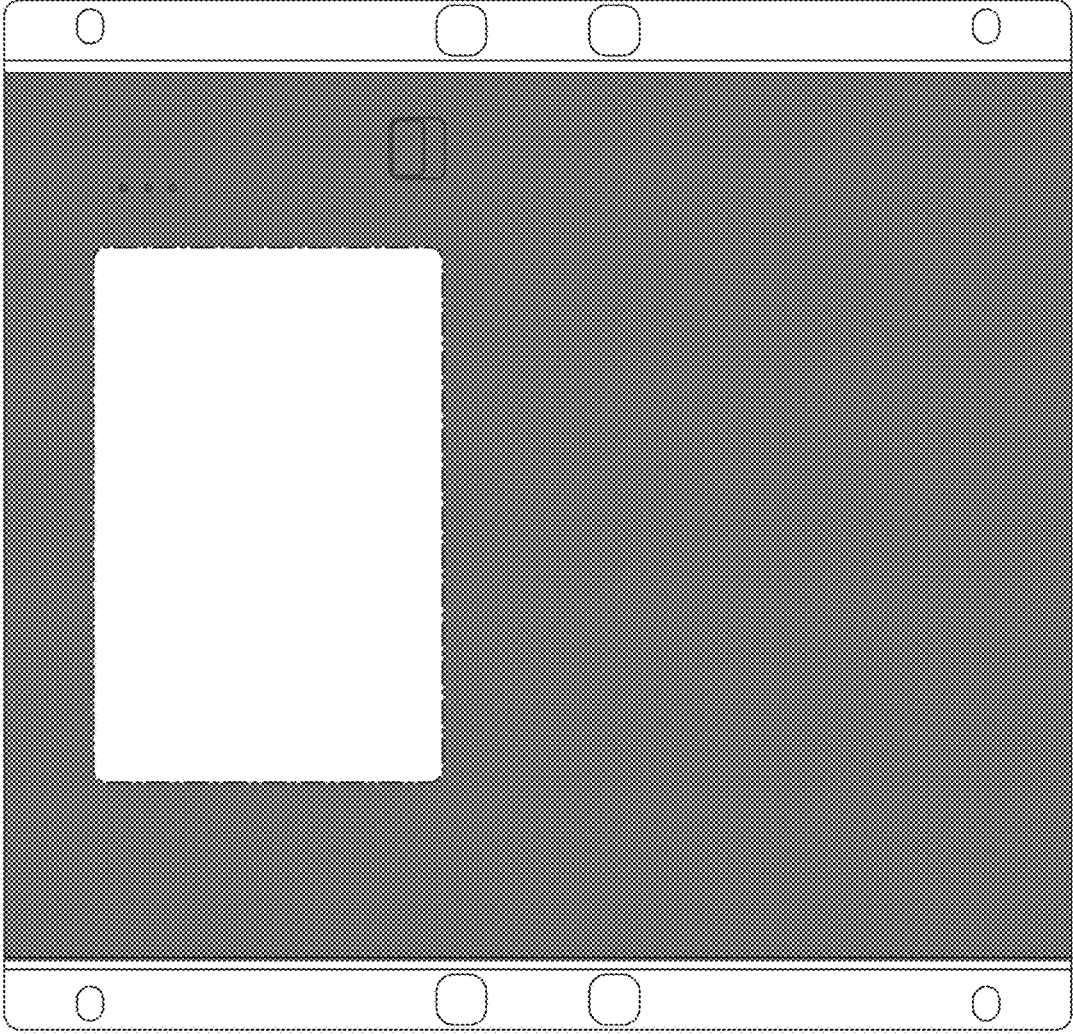


FIG. 11

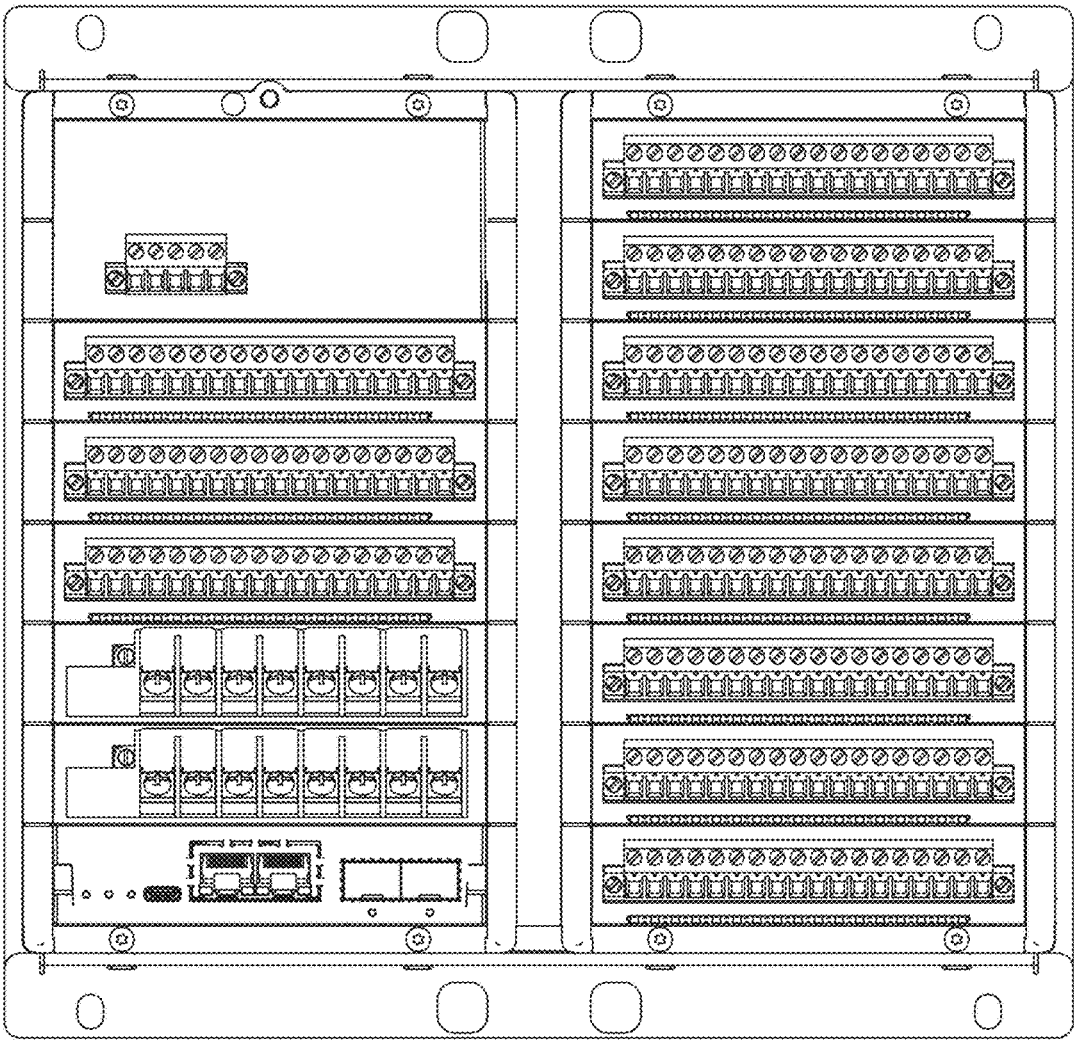


FIG. 12

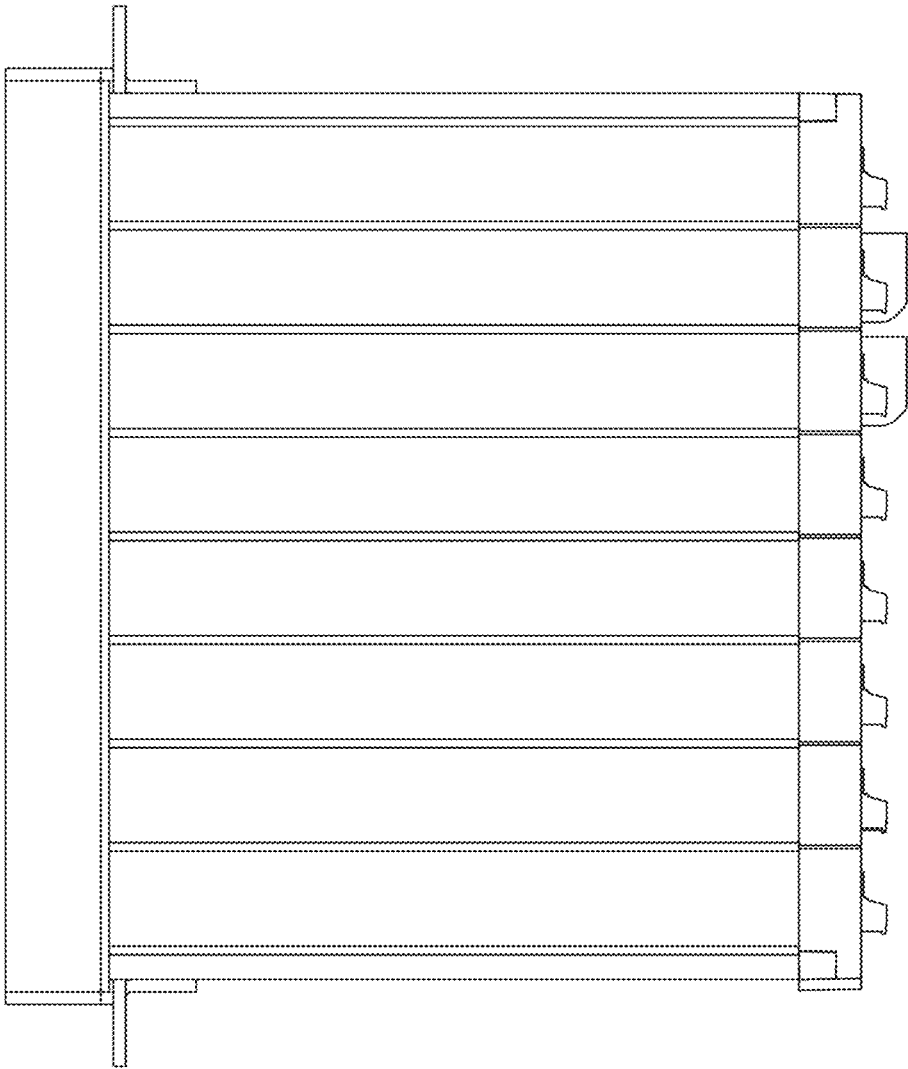


FIG. 13

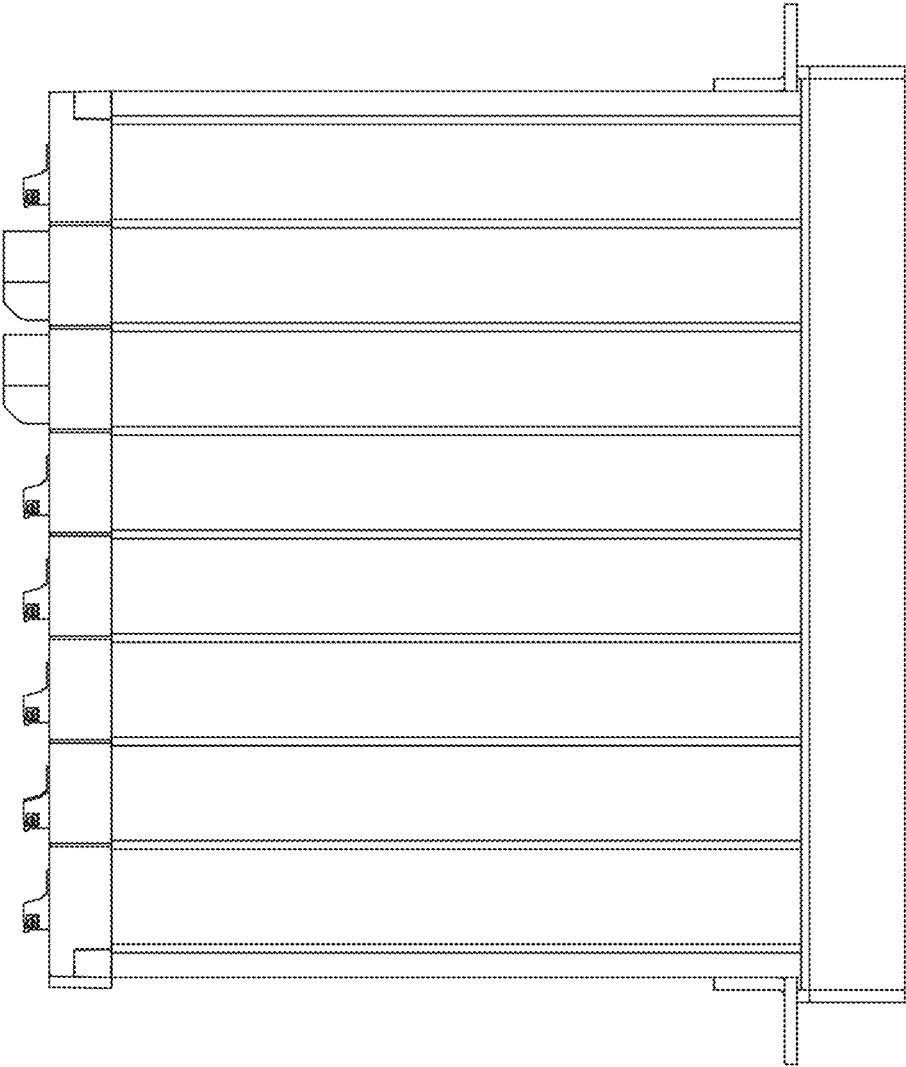


FIG. 14