



US00D396248S

# United States Patent [19]

[11] Patent Number: **Des. 396,248**

Nemeth

[45] Date of Patent: **\*\*Jul. 21, 1998**

- [54] COPY CLIP
- [75] Inventor: **Bradley M. Nemeth**, Oak Ridge, Tenn.
- [73] Assignee: **Brauner Nemeth, Inc.**, Palo Alto, Calif.
- [\*\*] Term: **14 Years**
- [21] Appl. No.: **75,678**
- [22] Filed: **Aug. 25, 1997**

5,044,593	9/1991	Jones .....	248/442.2
5,067,681	11/1991	Huang et al. ....	248/442.2
5,297,768	3/1994	Denton .....	248/458 X
5,549,268	8/1996	Hopwood .....	248/442.2

*Primary Examiner*—Martie Thompson  
*Attorney, Agent, or Firm*—Pitts & Brittan, P.C.

### [57] CLAIM

The ornamental design of a copy clip, as shown and described.

### DESCRIPTION

FIG. 1 is a perspective view thereof, the broken lines showing a portion of a computer monitor on which the copy clip is mounted and a sheet of paper being held by the copy clip being shown for illustrative purposes only and forming no part of the claimed design;

FIG. 2 is a front elevation view thereof;

FIG. 3 is a rear elevation view thereof;

FIG. 4 is a top plan view thereof;

FIG. 5 is a bottom plan view thereof;

FIG. 6 is a left end elevation view thereof; and,

FIG. 7 is a right end elevation thereof.

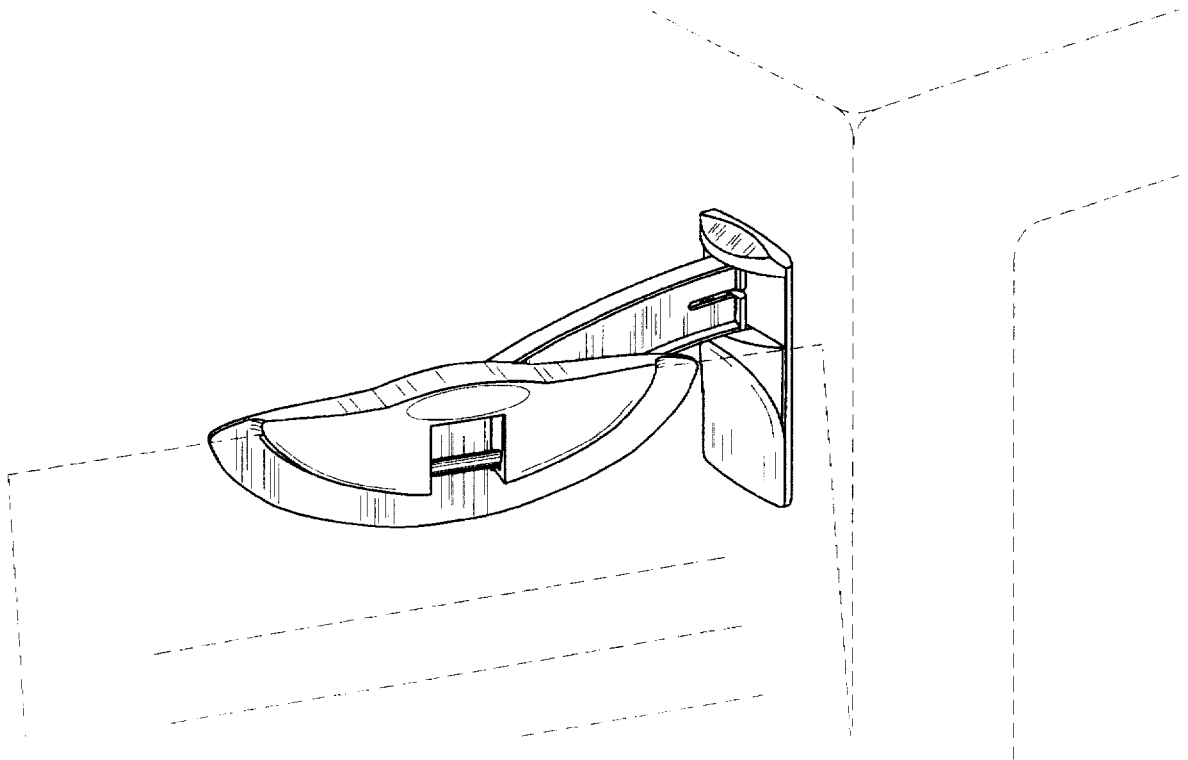
- [51] LOC (6) Cl. .... **19-02**
- [52] U.S. Cl. .... **D19/88; D19/90; D19/91**
- [58] Field of Search ..... **D19/35, 36, 65, D19/75, 78, 86, 88, 90, 91, 99, 100; D14/114; 248/441.1, 442.2, 447, 447.1, 447.2, 450, 451, 452, 458, 460, 462**

### [56] References Cited

U.S. PATENT DOCUMENTS

D. 327,502	6/1992	Maloney .....	D14/114 X
D. 351,419	10/1994	Goekler .....	D19/88
D. 355,219	2/1995	Jones et al. ....	D19/88
D. 365,849	1/1996	Greer, Jr. ....	D19/36
4,934,648	6/1990	Yuch .....	248/442.2

**1 Claim, 7 Drawing Sheets**



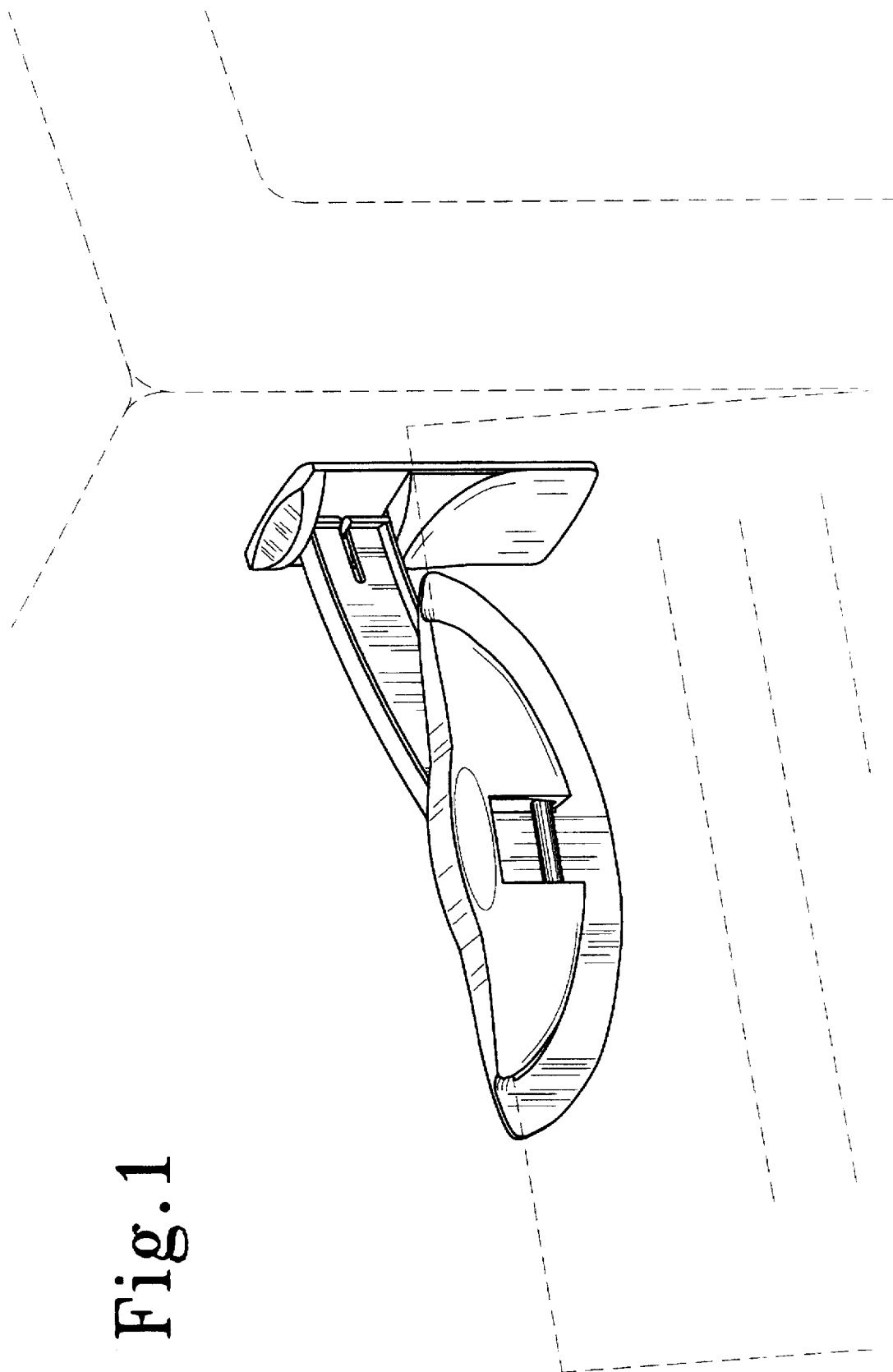


Fig. 1

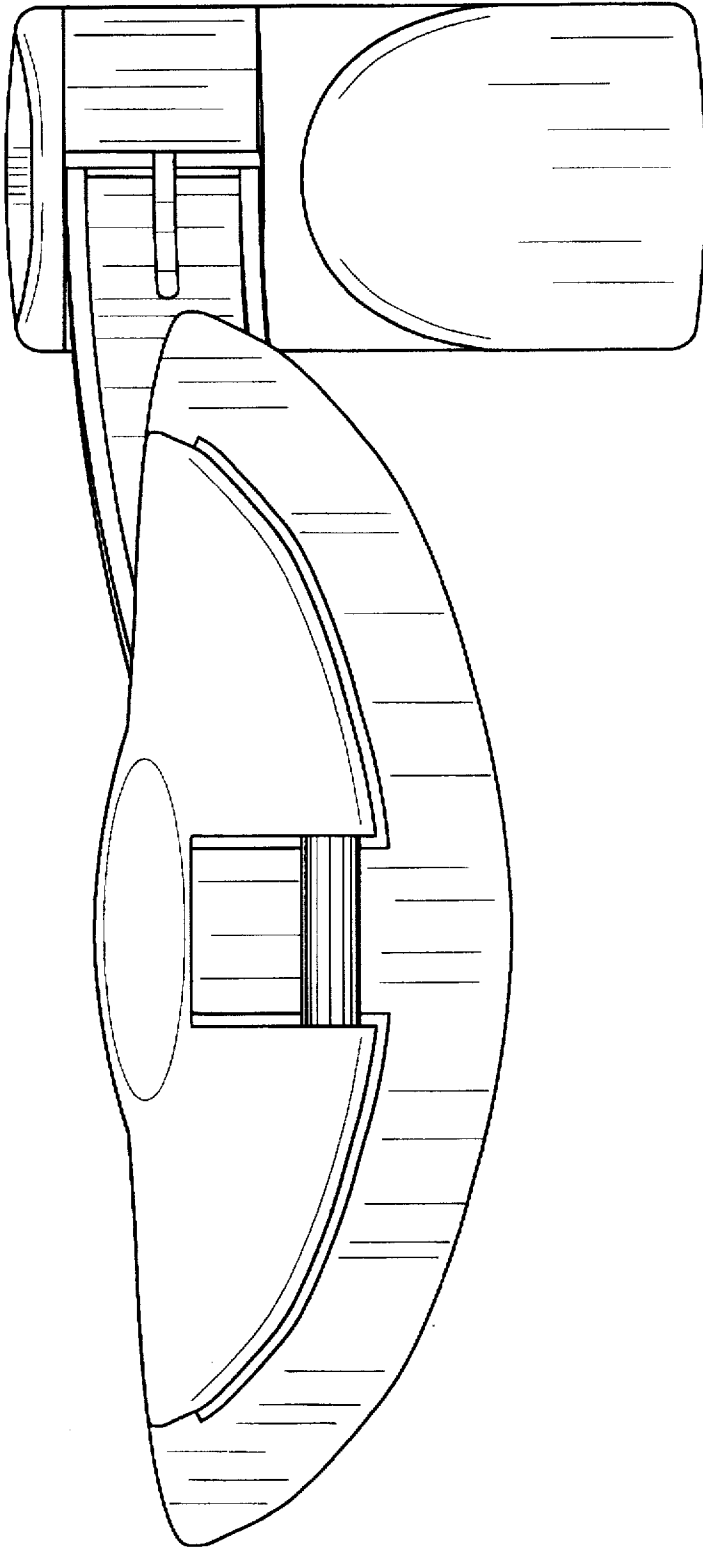


Fig. 2

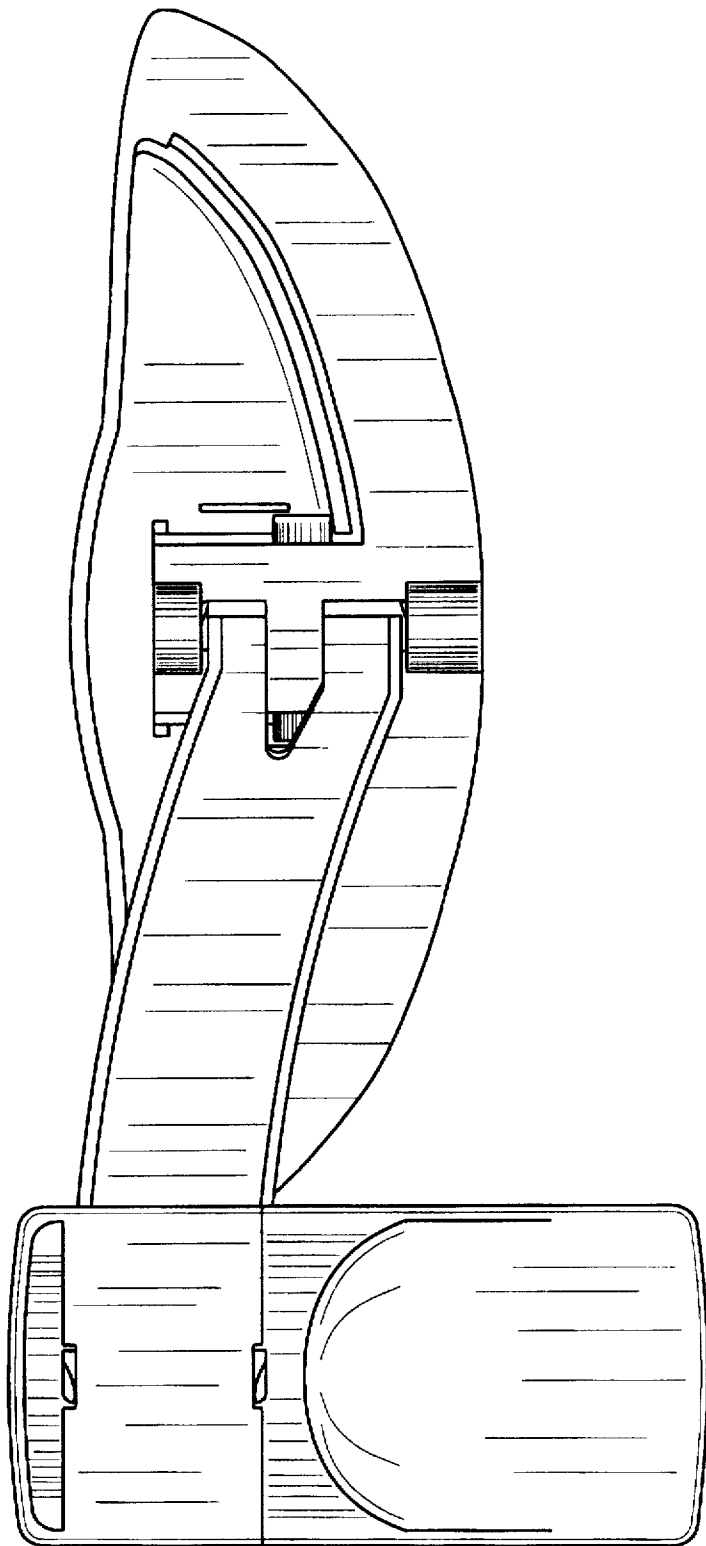


Fig. 3

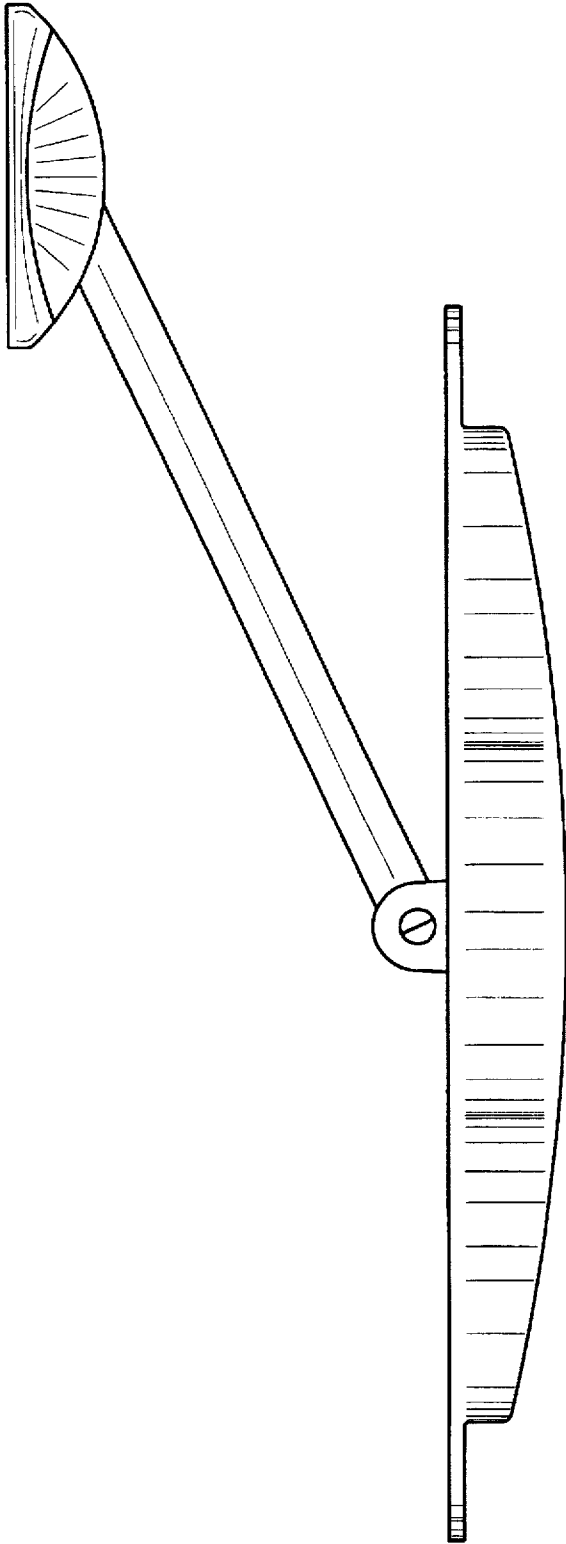


Fig. 4

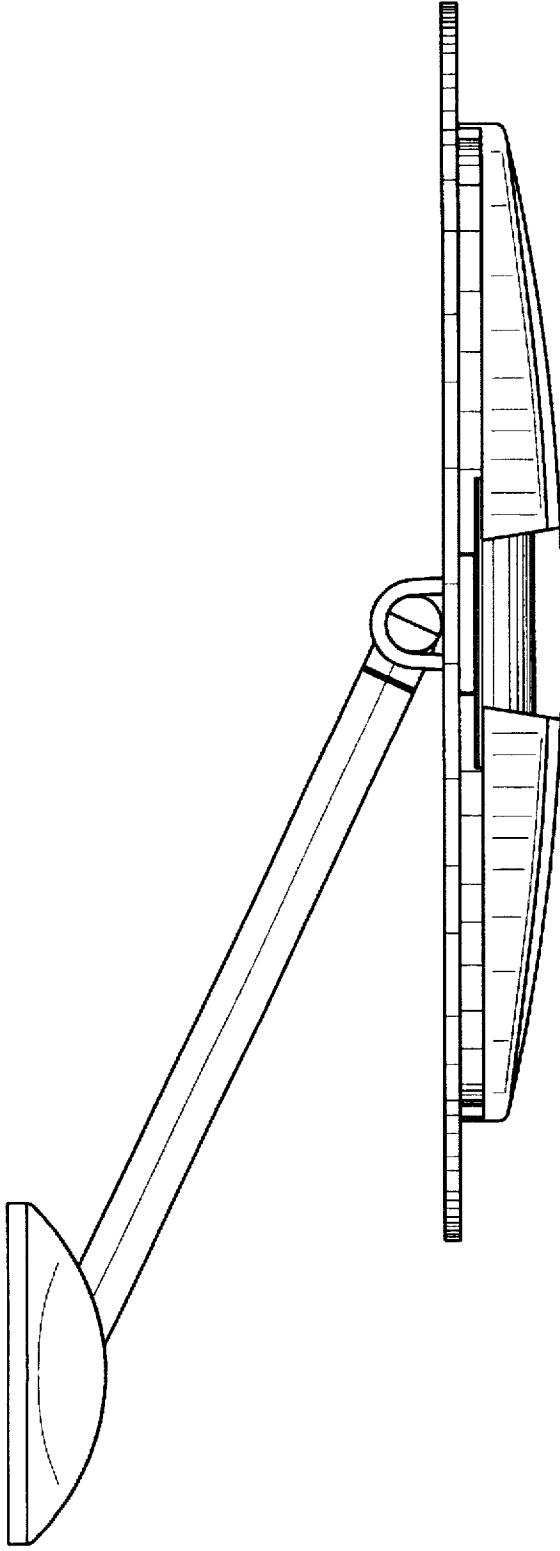


Fig. 5

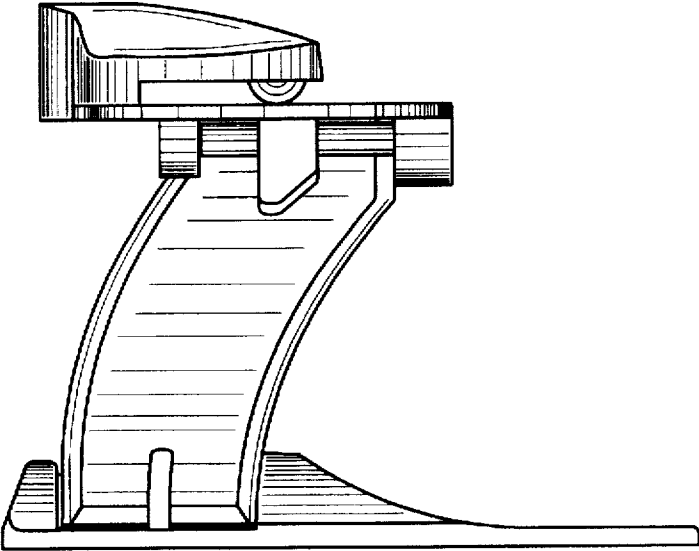


Fig. 6

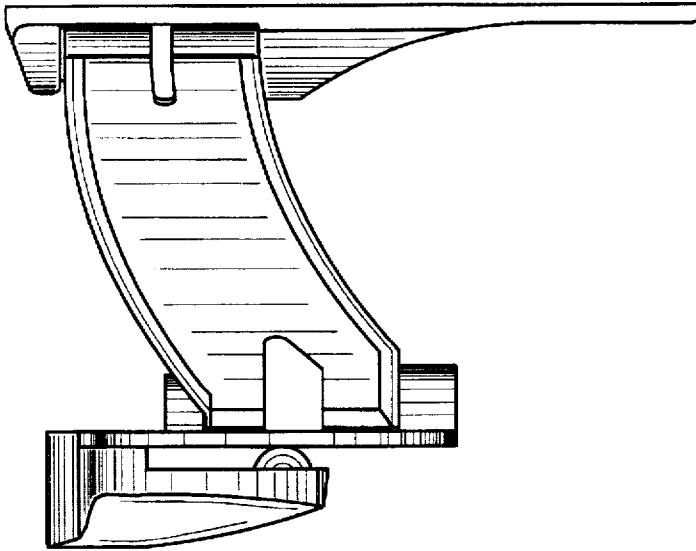


Fig. 7