



US00D511147S

(12) **United States Design Patent** (10) **Patent No.:** **US D511,147 S**
Suenaga (45) **Date of Patent:** **** Nov. 1, 2005**

(54) **FRONT PORTION OF A LIGHT EMITTING DIODE**

(75) Inventor: **Ryoma Suenaga**, Tokushima (JP)

(73) Assignee: **Nichia Corporation**, Anan (JP)

(**) Term: **14 Years**

(21) Appl. No.: **29/191,999**

(22) Filed: **Oct. 16, 2003**

Related U.S. Application Data

(62) Division of application No. 29/173,581, filed on Jan. 3, 2003, which is a division of application No. 29/151,833, filed on Dec. 12, 2001, now Pat. No. Des. 477,579, which is a division of application No. 29/124,827, filed on Jun. 13, 2000, now Pat. No. Des. 453,745.

(30) **Foreign Application Priority Data**

Dec. 27, 1999 (JP) 11-36713
Dec. 27, 1999 (JP) 11-36714
Dec. 27, 1999 (JP) 11-36715
Dec. 27, 1999 (JP) 11-36716
Dec. 27, 1999 (JP) 11-36717

(51) **LOC (8) Cl.** **13-03**

(52) **U.S. Cl.** **D13/180**

(58) **Field of Search** D13/180, 182;
D10/104, 106; D26/2, 37

(56) **References Cited**

U.S. PATENT DOCUMENTS

D312,979 S 12/1990 Oesterheld et al.
5,045,895 A 9/1991 Yoshida et al.

5,094,628 A 3/1992 Kano
D350,493 S 9/1994 Gottlieb
5,915,993 A 6/1999 Belopolsky et al.
D437,798 S 2/2001 Kiba et al.
D453,745 S * 2/2002 Suenaga D13/180
D477,579 S * 7/2003 Suenaga D13/180

FOREIGN PATENT DOCUMENTS

JP 984224 7/1997
JP 984224-1 10/1997
JP 1077515 7/2000
JP 1150522 8/2002
JP 1150817 8/2002

* cited by examiner

Primary Examiner—Stella Reid

Assistant Examiner—Daniel Bui

(74) *Attorney, Agent, or Firm*—Burns, Doane, Swecker & Mathis, L.L.P.

(57) **CLAIM**

The ornamental design for a front portion of a light emitting diode, as shown and described.

DESCRIPTION

FIG. 1 is a front elevational view of a front portion of a light emitting diode showing my new design;

FIG. 2 is a top plan view thereof;

FIG. 3 is a bottom plan view thereof;

FIG. 4 is a right side elevational view thereof;

FIG. 5 is a left side elevational view thereof; and,

FIG. 6 is a front perspective view thereof.

The broken lines are shown in the views for illustrative purposes only, and form no part of the claimed design.

1 Claim, 3 Drawing Sheets

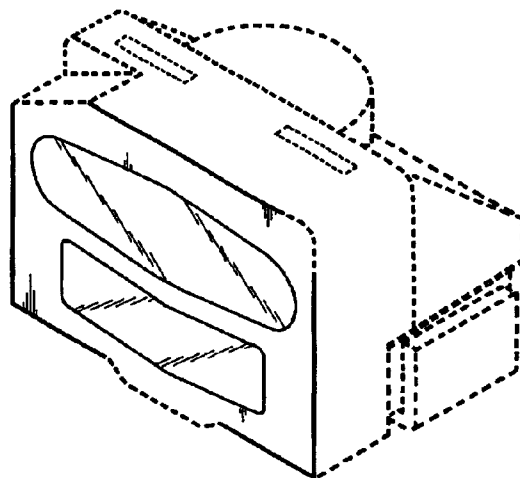


Fig. 1

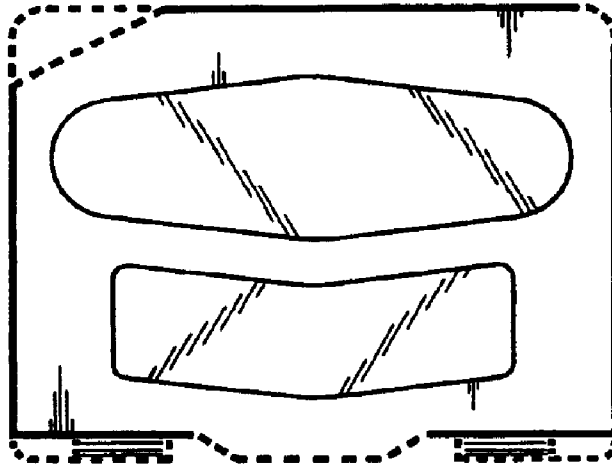


Fig. 2

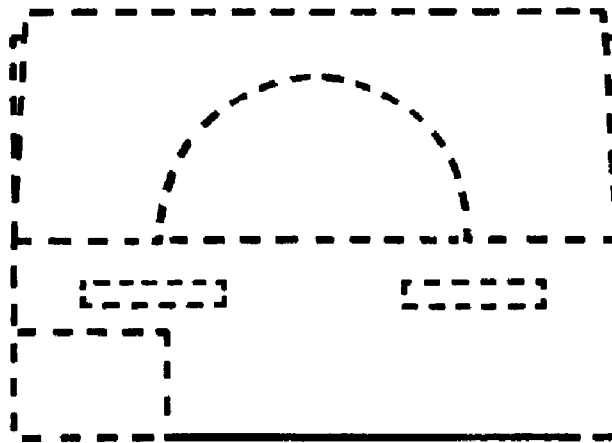


Fig. 3

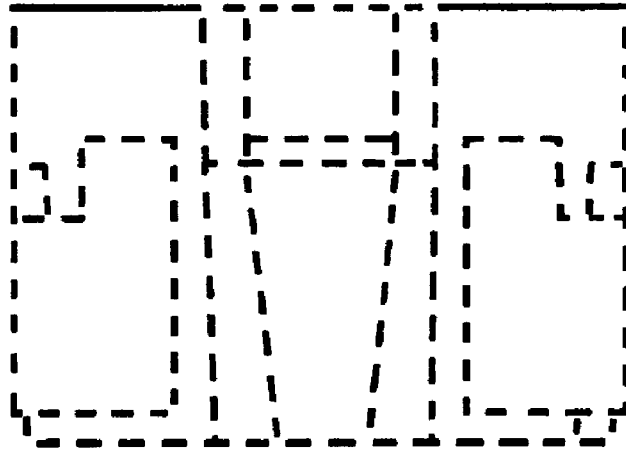


Fig. 4

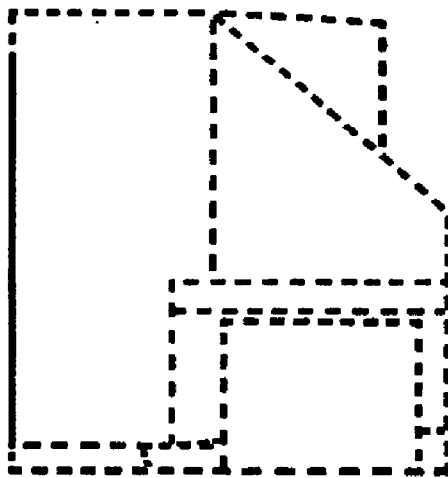


Fig. 5

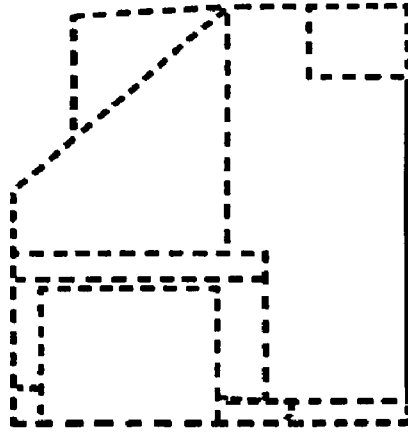


Fig. 6

