



US00D370151S

United States Patent [19]

[11] Patent Number: Des. 370,151

McLinden et al.

[45] Date of Patent: **May 28, 1996

[54] BLENDER

D. 320,716	10/1991	Maass	D7/378
D. 341,517	11/1993	Machuran	D7/376 X
D. 345,080	3/1994	Piret	D7/376 X
D. 352,422	11/1994	Bigelow	D7/372

[75] Inventors: **Thomas V. McLinden**, Woodbury; **Robin W. Ruck**, Southbury; **Leonard Galushko**, East Haven; **Edward A. Knopf**, Torrington; **Robert L. Marvin, Jr.**, Farmington, all of Conn.

Primary Examiner—Alan P. Douglas
Assistant Examiner—Caron D. Veynar
Attorney, Agent, or Firm—McCormick, Paulding & Huber

[73] Assignee: **Waring Products Division/Dynamics Corporation of America**, New Hartford, Conn.

[57] CLAIM

[**] Term: 14 Years

The ornamental design for a blender, as shown.

[21] Appl. No.: 24,021

DESCRIPTION

[22] Filed: Jun. 6, 1994

[52] U.S. Cl. D7/378

[58] Field of Search D7/372, 376-379, D7/386, 412, 413, 415, 384; 241/37.5, 101.1, 199.12, 282.1, 282.2, 92, 93; 366/129, 130, 197, 199, 204, 205, 314

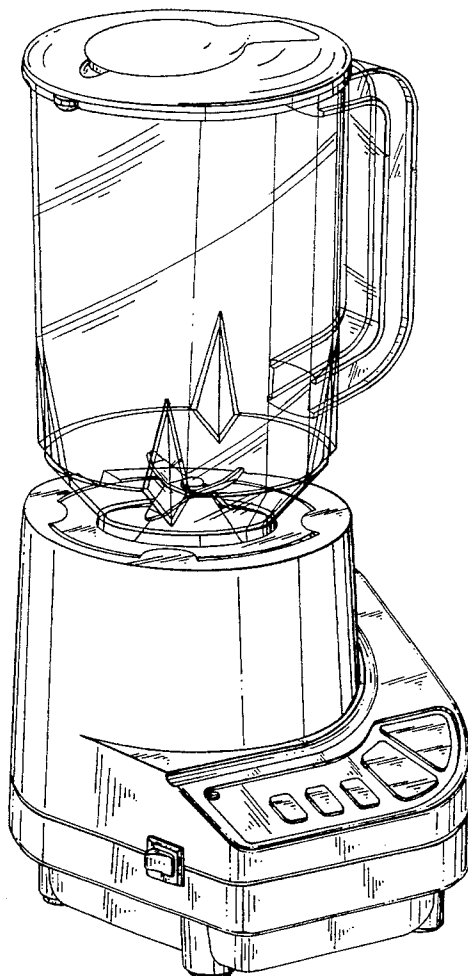
FIG. 1 is a front view of the design for a blender;
FIG. 2 is a right hand side view of the design for a blender;
FIG. 3 is a rear view of the design for a blender;
FIG. 4 is a left hand side view of the design for a blender;
FIG. 5 is a bottom view of the design for a blender;
FIG. 6 is a top view of the design for a blender; and,
FIG. 7 is a perspective view of the design for a blender.

[56] References Cited

U.S. PATENT DOCUMENTS

D. 218,583 9/1970 Gilson D7/378

1 Claim, 4 Drawing Sheets



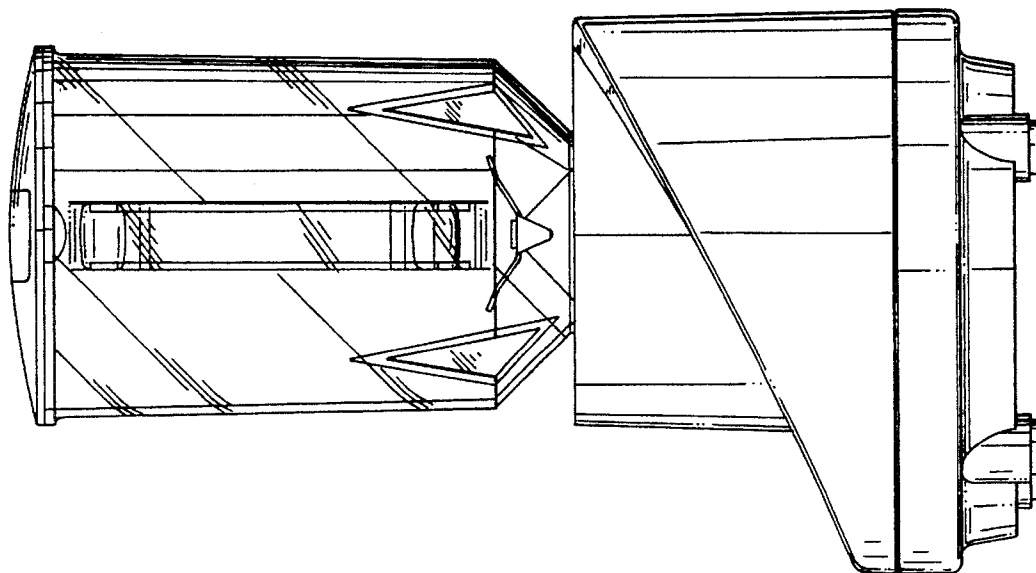


FIG. 2

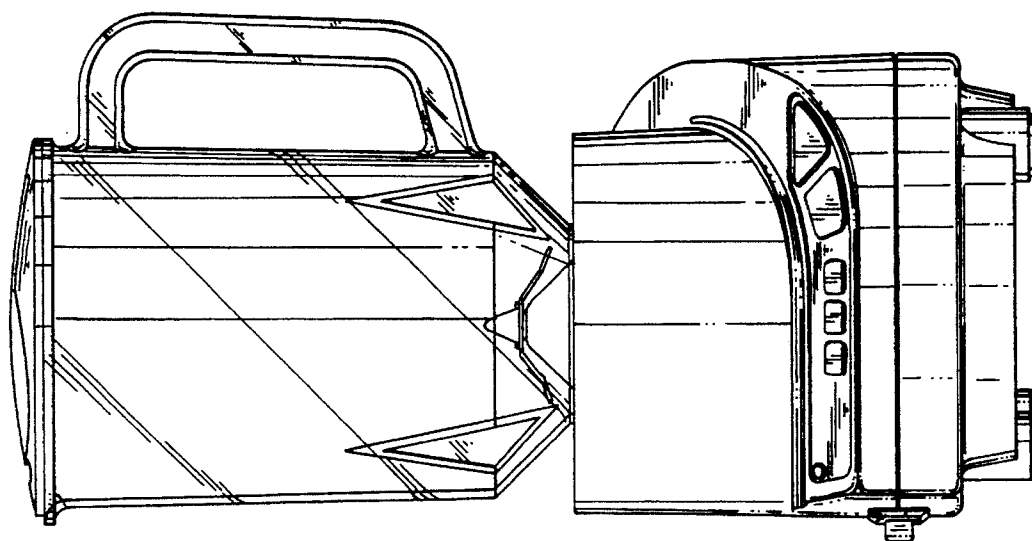


FIG. 1

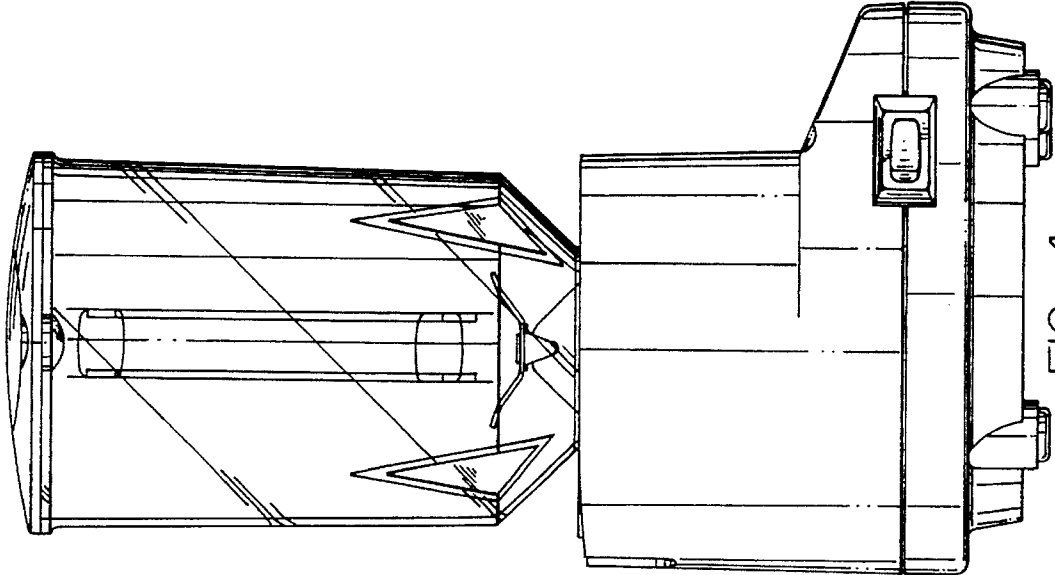


FIG. 4

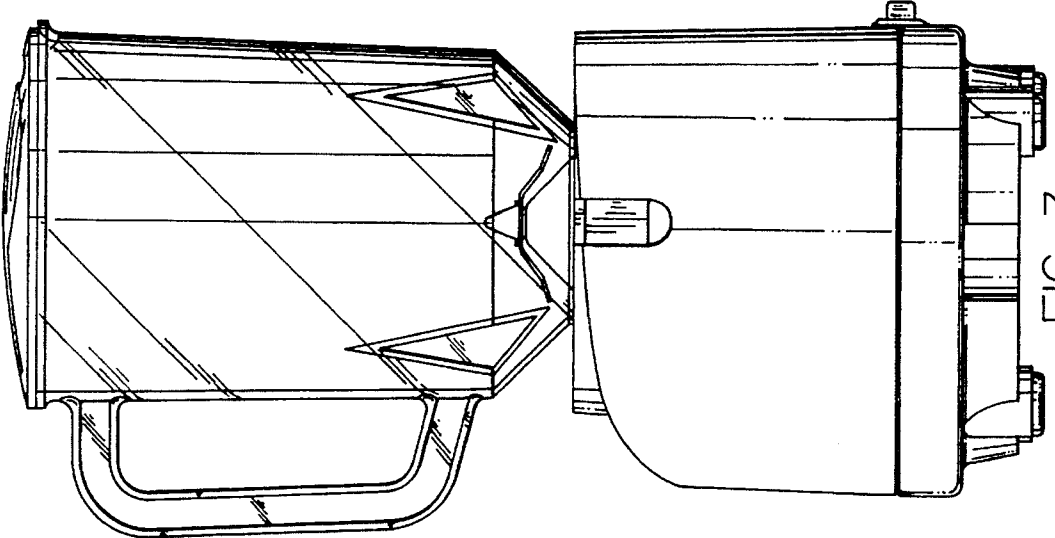


FIG. 3

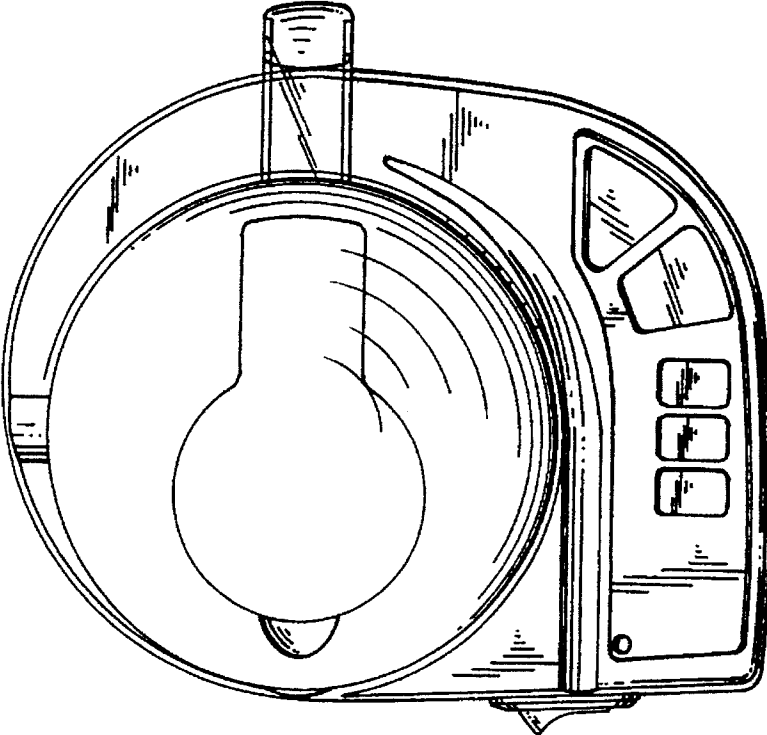


FIG. 6

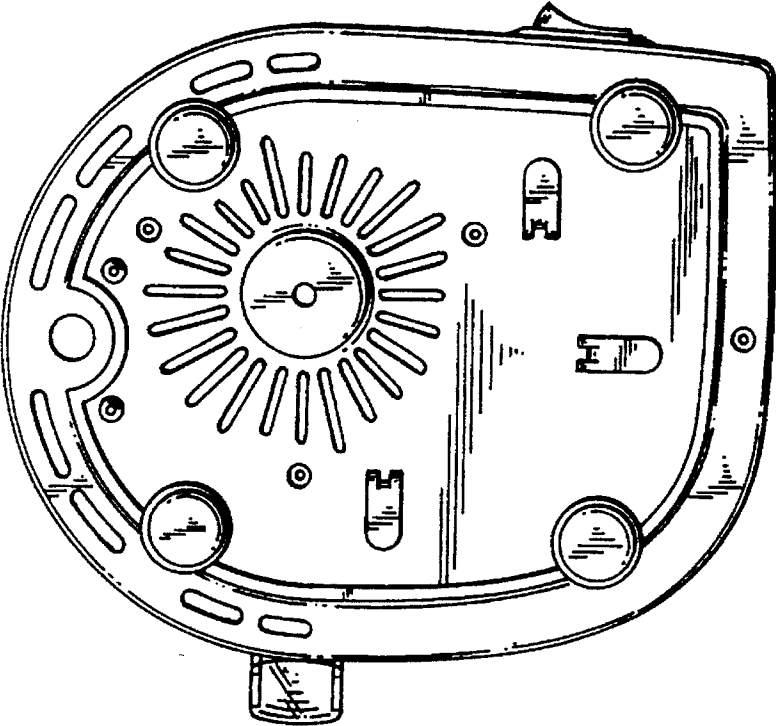


FIG. 5

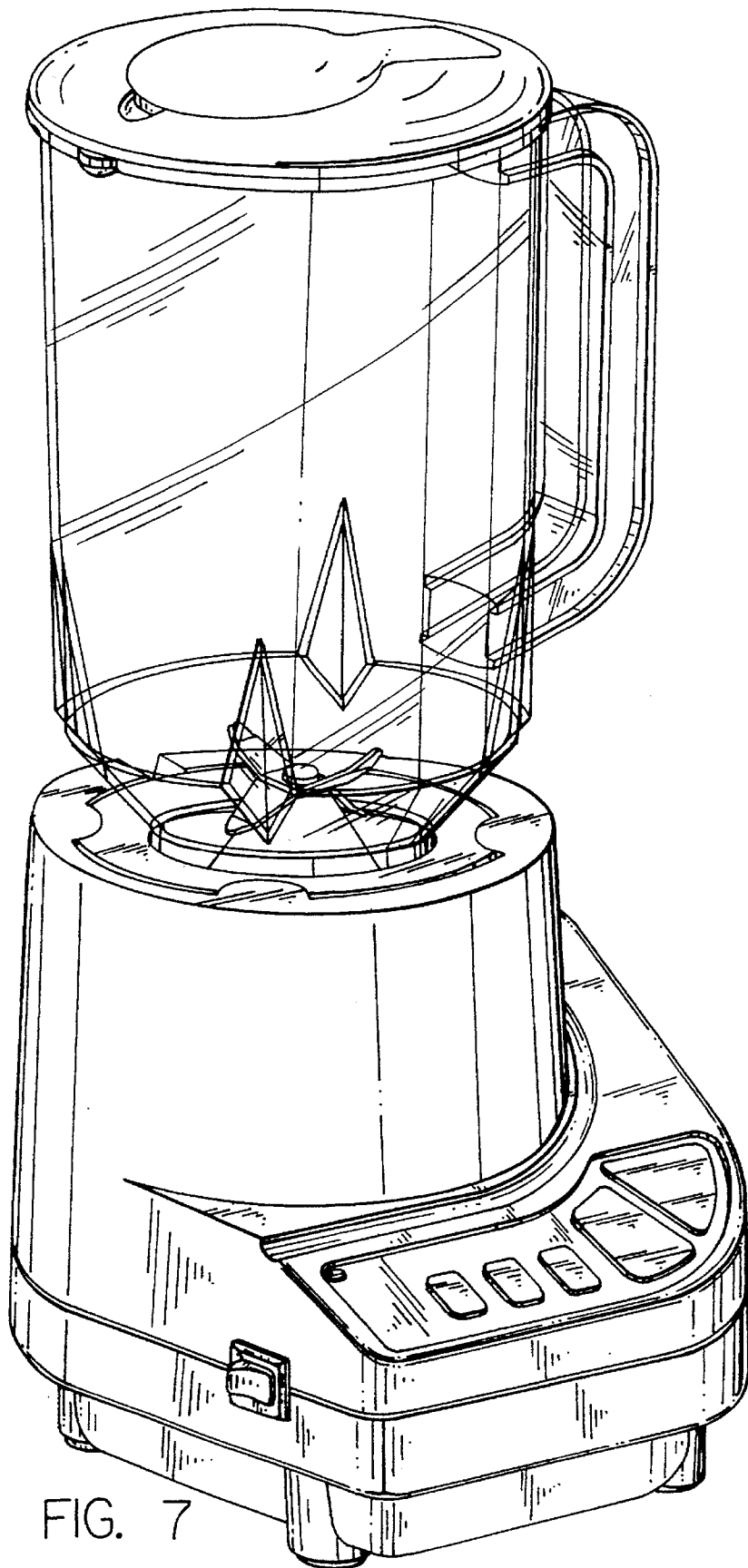


FIG. 7