

(19) World Intellectual Property Organization
International Bureau



(43) International Publication Date
25 November 2010 (25.11.2010)

(10) International Publication Number
WO 2010/135091 A3

(51) International Patent Classification:

F02B 39/00 (2006.01) *F04D 17/10* (2006.01)
G10K 11/16 (2006.01) *F04D 29/66* (2006.01)
F01D 25/00 (2006.01)

(74) Agents: **PENDORF, Stephan A.** et al.; Patent Central LLC, 1401 Hollywood Boulevard, Hollywood, Florida 33020-5237 (US).

(21) International Application Number:

PCT/US2010/033961

(81) Designated States (unless otherwise indicated, for every kind of national protection available): AE, AG, AL, AM, AO, AT, AU, AZ, BA, BB, BG, BH, BR, BW, BY, BZ, CA, CH, CL, CN, CO, CR, CU, CZ, DE, DK, DM, DO, DZ, EC, EE, EG, ES, FI, GB, GD, GE, GH, GM, GT, HN, HR, HU, ID, IL, IN, IS, JP, KE, KG, KM, KN, KP, KR, KZ, LA, LC, LK, LR, LS, LT, LU, LY, MA, MD, ME, MG, MK, MN, MW, MX, MY, MZ, NA, NG, NI, NO, NZ, OM, PE, PG, PH, PL, PT, RO, RS, RU, SC, SD, SE, SG, SK, SL, SM, ST, SV, SY, TH, TJ, TM, TN, TR, TT, TZ, UA, UG, US, UZ, VC, VN, ZA, ZM, ZW.

(22) International Filing Date:

7 May 2010 (07.05.2010)

(25) Filing Language:

English

(26) Publication Language:

English

(30) Priority Data:

102009021745.2 18 May 2009 (18.05.2009) DE

(71) Applicant (for all designated States except US): **BORG-WARNER INC.** [US/US]; Patent Department, 3850 Hamlin Road, Auburn Hills, Michigan 48326 (US).

(84) Designated States (unless otherwise indicated, for every kind of regional protection available): ARIPO (BW, GH, GM, KE, LR, LS, MW, MZ, NA, SD, SL, SZ, TZ, UG, ZM, ZW), Eurasian (AM, AZ, BY, KG, KZ, MD, RU, TJ, TM), European (AL, AT, BE, BG, CH, CY, CZ, DE, DK, EE, ES, FI, FR, GB, GR, HR, HU, IE, IS, IT, LT, LU, LV, MC, MK, MT, NL, NO, PL, PT, RO, SE, SI, SK,

(72) Inventor; and

(75) Inventor/Applicant (for US only): **FRIEDRICH, Peter** [DE/DE]; Schuetzenstrasse 3, 68623 Lampertheim (DE).

[Continued on next page]

(54) Title: COMPRESSOR OF AN EXHAUST-GAS TURBOCHARGER

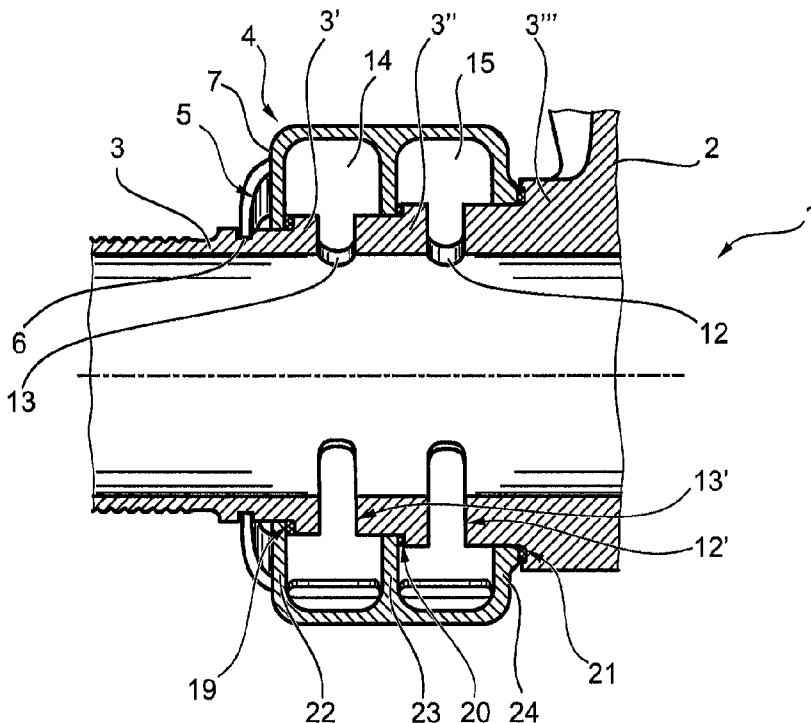
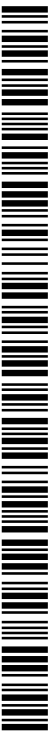


FIG. 1

(57) Abstract: The present invention relates to a compressor (1) of an exhaust-gas turbocharger having a compressor housing (2) which has a compressor outlet connecting pipe (3), and having a sound absorber (4), wherein the sound absorber (4) is formed as a separate component which can be connected to the outlet connecting pipe (3).



WO 2010/135091 A3



SM, TR), OAPI (BF, BJ, CF, CG, CI, CM, GA, GN, GQ, GW, ML, MR, NE, SN, TD, TG). **Published:**

Declarations under Rule 4.17:

- *as to applicant's entitlement to apply for and be granted a patent (Rule 4.17(ii))*
- *as to the applicant's entitlement to claim the priority of the earlier application (Rule 4.17(iii))*
- *of inventorship (Rule 4.17(iv))*

- *with international search report (Art. 21(3))*
- *before the expiration of the time limit for amending the claims and to be republished in the event of receipt of amendments (Rule 48.2(h))*

(88) Date of publication of the international search report:
31 March 2011

A. CLASSIFICATION OF SUBJECT MATTER**F02B 39/00(2006.01)i, G10K 11/16(2006.01)i, F01D 25/00(2006.01)i, F04D 17/10(2006.01)i, F04D 29/66(2006.01)i**

According to International Patent Classification (IPC) or to both national classification and IPC

B. FIELDS SEARCHED

Minimum documentation searched (classification system followed by classification symbols)

F02B 39/00; F16L 23/00; F04D 29/66; F02C 7/24; F04B 39/00; F02C 6/12; F02B 33/44; F04B 11/00; F01N 1/06

Documentation searched other than minimum documentation to the extent that such documents are included in the fields searched

Korean utility models and applications for utility models

Japanese utility models and applications for utility models

Electronic data base consulted during the international search (name of data base and, where practicable, search terms used)

eKOMPASS(KIPO internal) & Keywords: compressor, housing, sound, absorber, separate, pipe, silencer, damper, acoustic, turbocharger

C. DOCUMENTS CONSIDERED TO BE RELEVANT

| Category* | Citation of document, with indication, where appropriate, of the relevant passages | Relevant to claim No. |
|-----------|--|-----------------------|
| A | US 2008-0286127 A1 (GAUDE GLADYS et al.) 20 November 2008 See paragraphs [0018]-[0027] and figs.2-4 | 1-8 |
| A | US 2009-0044536 A1 (NAKANO SUSUMU et al.) 19 February 2009 See paragraphs [0071]-[0072] and fig.5 | 1-8 |
| A | US 5810566 A (PAUWELS; RAPHAEL) 22 September 1998 See claim 1 and fig.1 | 1-8 |
| A | US 2007-0018454 A1 (JUERGEN KRINES et al.) 25 January 2007 See paragraph [0021] and fig.2 | 1-8 |
| A | KR 10-2007-0020269 A (ABB TURBO SYSTEMS AG) 20 February 2007 See claim 1 and fig.1 | 1-8 |
| A | KR 10-2006-0044323 A (AN B&W DIESEL AKTIENGESELLSCHAFT) 16 May 2006 See claim 1 and fig.1 | 1-8 |

 Further documents are listed in the continuation of Box C. See patent family annex.

* Special categories of cited documents:

"A" document defining the general state of the art which is not considered to be of particular relevance

"E" earlier application or patent but published on or after the international filing date

"L" document which may throw doubts on priority claim(s) or which is cited to establish the publication date of citation or other special reason (as specified)

"O" document referring to an oral disclosure, use, exhibition or other means

"P" document published prior to the international filing date but later than the priority date claimed

"T" later document published after the international filing date or priority date and not in conflict with the application but cited to understand the principle or theory underlying the invention

"X" document of particular relevance; the claimed invention cannot be considered novel or cannot be considered to involve an inventive step when the document is taken alone

"Y" document of particular relevance; the claimed invention cannot be considered to involve an inventive step when the document is combined with one or more other such documents, such combination being obvious to a person skilled in the art

"&" document member of the same patent family

Date of the actual completion of the international search

17 JANUARY 2011 (17.01.2011)

Date of mailing of the international search report

21 JANUARY 2011 (21.01.2011)

Name and mailing address of the ISA/KR

Korean Intellectual Property Office
Government Complex-Daejeon, 139 Seonsa-ro, Seo-gu, Daejeon 302-701, Republic of Korea

Facsimile No. 82-42-472-7140

Authorized officer

LEE, TAEK SANG

Telephone No. 82-42-481-5492



INTERNATIONAL SEARCH REPORT

Information on patent family members

International application No.

PCT/US2010/033961

| Patent document cited in search report | Publication date | Patent family member(s) | Publication date |
|--|------------------|---|--|
| US 2008-0286127 A1 | 20.11.2008 | EP 1992797 A2 EP 1992797 A3 US 7794213 B2 | 19.11.2008 28.04.2010 14.09.2010 |
| US 2009-0044536 A1 | 19.02.2009 | JP 04-495603 B2 JP 2005-226639 A US 2005-0160740 A1 US 7409832 B2 | 16.04.2010 25.08.2005 28.07.2005 12.08.2008 |
| US 5810566 A | 22.09.1998 | EP 0774581 A1 EP 0774581 B1 JP 09-170554 A KR 10-0456206 B1 | 21.05.1997 10.01.2001 30.06.1997 10.01.2005 |
| US 2007-0018454 A1 | 25.01.2007 | AT 400765 T DE 202004019206 U1 DE 602005007996 D1 EP 1669654 A1 EP 1669654 B1 | 15.07.2008 20.04.2006 21.08.2008 14.06.2006 09.07.2008 |
| KR 10-2007-0020269 A | 20.02.2007 | EP 1602810 A1 GB 2429497 A JP 2008-501880 A WO 2005-119031 A1 | 07.12.2005 28.02.2007 24.01.2008 15.12.2005 |
| KR 10-2006-0044323 A | 16.05.2006 | JP 2005-256839 A | 22.09.2005 |