

(19) World Intellectual Property Organization  
International Bureau



(43) International Publication Date  
22 November 2001 (22.11.2001)

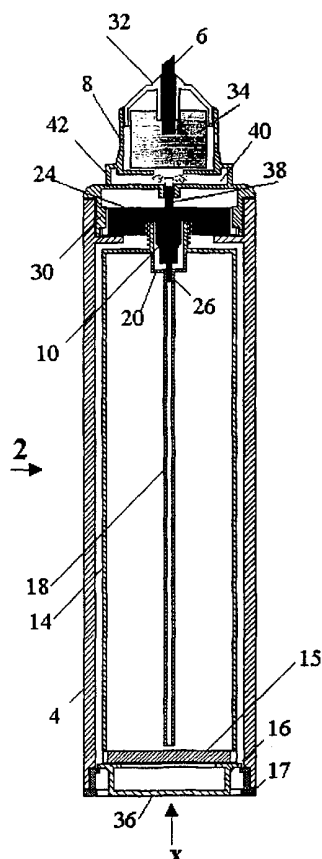
PCT

(10) International Publication Number  
**WO 01/87641 A3**

- (51) International Patent Classification<sup>7</sup>: **B43K 5/18**
- (21) International Application Number: PCT/GB01/02031
- (22) International Filing Date: 9 May 2001 (09.05.2001)
- (25) Filing Language: English
- (26) Publication Language: English
- (30) Priority Data:  
0011689.7 15 May 2000 (15.05.2000) GB  
0023063.1 20 September 2000 (20.09.2000) GB  
0030949.2 19 December 2000 (19.12.2000) GB
- (71) Applicant and  
(72) Inventor: **ABBAS, Ashraf, Mahfouz** [EG/GB]; Flat D,  
799 Harrow Road, London NW10 5PA (GB).
- (81) Designated States (*national*): AE, AG, AL, AM, AT, AU, AZ, BA, BB, BG, BR, BY, BZ, CA, CH, CN, CO, CR, CU, CZ, DE, DK, DM, DZ, EC, EE, ES, FI, GB, GD, GE, GH, GM, HR, HU, ID, IL, IN, IS, JP, KE, KG, KP, KR, KZ, LC, LK, LR, LS, LT, LU, LV, MA, MD, MG, MK, MN, MW, MX, MZ, NO, NZ, PL, PT, RO, RU, SD, SE, SG, SI, SK, SL, TJ, TM, TR, TT, TZ, UA, UG, US, UZ, VN, YU, ZA, ZW.
- (84) Designated States (*regional*): ARIPO patent (GH, GM, KE, LS, MW, MZ, SD, SL, SZ, TZ, UG, ZW), Eurasian patent (AM, AZ, BY, KG, KZ, MD, RU, TJ, TM), European patent (AT, BE, CH, CY, DE, DK, ES, FI, FR, GB, GR, IE, IT, LU, MC, NL, PT, SE, TR), OAPI patent (BF, BJ, CF, CG, CI, CM, GA, GN, GW, ML, MR, NE, SN, TD, TG).
- Declaration under Rule 4.17:**  
— of inventorship (Rule 4.17(iv)) for US only

[Continued on next page]

(54) Title: A FLUID APPLICATOR INSTRUMENT



(57) Abstract: This invention relates to an instrument, preferably a marking instrument, for applying a fluid to a surface and particularly, though not exclusively, to a writing pen, including a marker pen, or a brush, especially an artist's brush. Other types of brushes are contemplated, such as those for applying cleaner, mouthwash or perfume to teeth. The instrument (2) comprises a tip (6), a holder for the tip (4), a cartridge (14) containing the fluid mounted within or connectable to the holder (4), and a manually-operable spray pump arrangement (10) for repeatedly dispensing a predetermined amount of the fluid under pressure from the cartridge (14) to the tip (4) of the instrument (2). A disposable or re-fillable cartridge for the instrument is also described.

WO 01/87641 A3



**Published:**

- with international search report
- before the expiration of the time limit for amending the claims and to be republished in the event of receipt of amendments

*For two-letter codes and other abbreviations, refer to the "Guidance Notes on Codes and Abbreviations" appearing at the beginning of each regular issue of the PCT Gazette.*

**(88) Date of publication of the international search report:**

31 January 2002

INTERNATIONAL SEARCH REPORT

International Application No

/GB 01/02031

A. CLASSIFICATION OF SUBJECT MATTER

IPC 7 B43K5/18

According to International Patent Classification (IPC) or to both national classification and IPC

B. FIELDS SEARCHED

Minimum documentation searched (classification system followed by classification symbols)

IPC 7 B43K

Documentation searched other than minimum documentation to the extent that such documents are included in the fields searched

Electronic data base consulted during the international search (name of data base and, where practical, search terms used)

EPO-Internal, WPI Data, PAJ

C. DOCUMENTS CONSIDERED TO BE RELEVANT

Category °	Citation of document, with indication, where appropriate, of the relevant passages	Relevant to claim No.
X	US 5 176 461 A (KIMURA) 5 January 1993 (1993-01-05)  the whole document ---	1-5,8,9, 11-15, 17-19
X	GB 2 176 393 A (MISUBISHI PENCIL) 31 December 1986 (1986-12-31)  the whole document ---	1-5,9, 11-15, 17-19
X	US 5 026 195 A (KIMURA) 25 June 1991 (1991-06-25)  the whole document ---	1-5,9, 11-15, 17-19
	-/--	

Further documents are listed in the continuation of box C.

Patent family members are listed in annex.

° Special categories of cited documents :

- "A" document defining the general state of the art which is not considered to be of particular relevance
- "E" earlier document but published on or after the international filing date
- "L" document which may throw doubts on priority claim(s) or which is cited to establish the publication date of another citation or other special reason (as specified)
- "O" document referring to an oral disclosure, use, exhibition or other means
- "P" document published prior to the international filing date but later than the priority date claimed

- "T" later document published after the international filing date or priority date and not in conflict with the application but cited to understand the principle or theory underlying the invention
- "X" document of particular relevance; the claimed invention cannot be considered novel or cannot be considered to involve an inventive step when the document is taken alone
- "Y" document of particular relevance; the claimed invention cannot be considered to involve an inventive step when the document is combined with one or more other such documents, such combination being obvious to a person skilled in the art.
- "&" document member of the same patent family

Date of the actual completion of the international search

7 August 2001

Date of mailing of the international search report

21. 11. 2001

Name and mailing address of the ISA

European Patent Office, P.B. 5818 Patentlaan 2  
NL - 2280 HV Rijswijk  
Tel. (+31-70) 340-2040, Tx. 31 651 epo nl,  
Fax: (+31-70) 340-3016

Authorized officer

PERNEY Y.

## INTERNATIONAL SEARCH REPORT

International Application No

/GB 01/02031

## C.(Continuation) DOCUMENTS CONSIDERED TO BE RELEVANT

Category °	Citation of document, with indication, where appropriate, of the relevant passages	Relevant to claim No.
X	EP 0 316 007 A (ANCOS CO) 17 May 1989 (1989-05-17)  the whole document ---	1-3,6,9, 11-15, 17-19
X	US 3 089 465 A (WEST) 14 May 1963 (1963-05-14)  the whole document ---	1-3,6, 11-13, 17,19
X	DE 37 39 044 A (MITSUBISHI) 19 May 1988 (1988-05-19)  the whole document ---	1-3,9, 11-15, 17-19
A		6,7
X	US 4 789 261 A (IWASE ET AL.) 6 December 1988 (1988-12-06)  the whole document ---	1-3, 11-15, 17-19
A	EP 0 099 706 A (LINGNER AND FISCHER) 1 February 1984 (1984-02-01) abstract; figures -----	1,6,17

# INTERNATIONAL SEARCH REPORT

International application No.  
PCT/GB 01/02031

## Box I Observations where certain claims were found unsearchable (Continuation of item 1 of first sheet)

This International Search Report has not been established in respect of certain claims under Article 17(2)(a) for the following reasons:

1.  Claims Nos.:  
because they relate to subject matter not required to be searched by this Authority, namely:
  
2.  Claims Nos.:  
because they relate to parts of the International Application that do not comply with the prescribed requirements to such an extent that no meaningful International Search can be carried out, specifically:
  
3.  Claims Nos.:  
because they are dependent claims and are not drafted in accordance with the second and third sentences of Rule 6.4(a).

## Box II Observations where unity of invention is lacking (Continuation of item 2 of first sheet)

This International Searching Authority found multiple inventions in this international application, as follows:

see additional sheet

1.  As all required additional search fees were timely paid by the applicant, this International Search Report covers all searchable claims.
  
2.  As all searchable claims could be searched without effort justifying an additional fee, this Authority did not invite payment of any additional fee.
  
3.  As only some of the required additional search fees were timely paid by the applicant, this International Search Report covers only those claims for which fees were paid, specifically claims Nos.:
  
4.  No required additional search fees were timely paid by the applicant. Consequently, this International Search Report is restricted to the invention first mentioned in the claims; it is covered by claims Nos.:

1-19, 33, 34

### Remark on Protest

- The additional search fees were accompanied by the applicant's protest.
- No protest accompanied the payment of additional search fees.

FURTHER INFORMATION CONTINUED FROM PCT/ISA/ 210

This International Searching Authority found multiple (groups of) inventions in this international application, as follows:

1. Claims: 1-19, 33, 34

INSTRUMENT FOR APPLYING A FLUID WITH A PUMP ARRANGEMENT

2. Claims: 20-32

CARTRIDGE OR REFILLABLE CONTAINER HAVING A PRIMARY AND A SECONDARY RESERVOIR FOR DELIVERING A MEASURED DOSE OF FLUID

## INTERNATIONAL SEARCH REPORT

Information on patent family members

International Application No

T/GB 01/02031

Patent document cited in search report	Publication date	Patent family member(s)	Publication date
US 5176461 A	05-01-1993	CA 2035999 A	11-08-1991
		DE 4103924 A	14-08-1991
		FR 2658052 A	16-08-1991
		GB 2241163 A	28-08-1991
		IT 1244716 B	08-08-1994
GB 2176393 A	31-12-1986	DE 3618077 A	04-12-1986
		FR 2582583 A	05-12-1986
US 5026195 A	25-06-1991	CA 2005543 A	09-07-1990
		DE 3941946 A	12-07-1990
		FR 2641482 A	13-07-1990
		GB 2227651 A,B	08-08-1990
		IT 1237162 B	24-05-1993
EP 316007 A	17-05-1989	JP 2081699 A	22-03-1990
		JP 1131386 A	24-05-1989
		DE 3863902 D	29-08-1991
		US 4966483 A	30-10-1990
US 3089465 A	14-05-1963	NONE	
DE 3739044 A	19-05-1988	FR 2606677 A	20-05-1988
		GB 2198038 A,B	08-06-1988
US 4789261 A	06-12-1988	JP 1907340 C	24-02-1995
		JP 6015278 B	02-03-1994
		JP 62233298 A	13-10-1987
		CA 1302348 A	02-06-1992
		DE 3711236 A	08-10-1987
		GB 2189688 A,B	04-11-1987
		IT 1203427 B	15-02-1989
EP 99706 A	01-02-1984	AT 22823 T	15-11-1986
		DE 3366851 D	20-11-1986
		DE 8320467 U	20-10-1983
		DK 315483 A	18-01-1984
		ES 273576 U	16-05-1984
		GR 77576 A	24-09-1984
		JP 59026452 A	10-02-1984
		NO 832483 A	18-01-1984
		PT 77013 A,B	01-08-1983