



US00D996549S

(12) **United States Design Patent**
Li

(10) **Patent No.:** **US D996,549 S**

(45) **Date of Patent:** **** Aug. 22, 2023**

(54) **SKATEBOARD WHEEL**

OTHER PUBLICATIONS

(71) Applicant: **Lei Li**, Hangzhou (CN)

Amazon Website, MBS All-Terrain Longboard Wheels, Earliest Available Date: Sep. 17, 2015[Website Visited Apr. 4, 2023] Available on the Internet URL <https://www.amazon.com/dp/B015GJN0BA/> (Year: 2015).*

(72) Inventor: **Lei Li**, Hangzhou (CN)

Amazon Website, Antwheel Longboard Wheels, Earliest Available Date: Sep. 7, 2021 [Website Visited Apr. 4, 2023] Available on the Internet URL <https://www.amazon.com/dp/B09FLYZJ48/> (Year: 2021).*

(**) Term: **15 Years**

Amazon Website, Meepo Cruising Wheels, Earliest Available Date: Apr. 29, 2022[Website Visited Apr. 4, 2023] Available on the Internet URL <https://www.amazon.com/dp/B09TQY8WM2/> (Year: 2022).*

(21) Appl. No.: **29/797,913**

(22) Filed: **Jul. 3, 2021**

(51) **LOC (14) Cl.** **21-02**

(52) **U.S. Cl.**

USPC **D21/779**; D21/771; D21/760

* cited by examiner

(58) **Field of Classification Search**

USPC D21/765, 764, 779, 423, 419, 421, 760, D21/771, 563

CPC A63C 17/006; A63C 2203/42; A63C 17/22

See application file for complete search history.

Primary Examiner — S. Bryan Reinholdt, Jr.

Assistant Examiner — James T Tyree

(74) *Attorney, Agent, or Firm* — Che-Yang Chen; Law Office of Michael Chen

(56) **References Cited**

U.S. PATENT DOCUMENTS

287,861	A	*	11/1883	Rice	A63C 17/22	16/45
D296,198	S	*	6/1988	Buchanan	D34/29	
D355,464	S	*	2/1995	Wilson	D12/544	
D381,301	S	*	7/1997	Lo	D12/567	
D386,732	S	*	11/1997	Green	D12/563	
D398,692	S	*	9/1998	Wilson	D12/563	
D448,708	S	*	10/2001	Shinoda	D12/544	
D534,981	S	*	1/2007	McGoon, IV	D21/779	
D658,256	S	*	4/2012	Trevena	D21/779	
D676,916	S	*	2/2013	Reeves	D21/779	
D717,383	S	*	11/2014	Nay	D21/779	
D835,741	S	*	12/2018	Merz	D21/563	
2022/0161599	A1	*	5/2022	Li	B29D 30/02	

FOREIGN PATENT DOCUMENTS

CN	304635772	*	5/2018
CN	306041095	*	9/2020
GB	6040887	*	8/2018

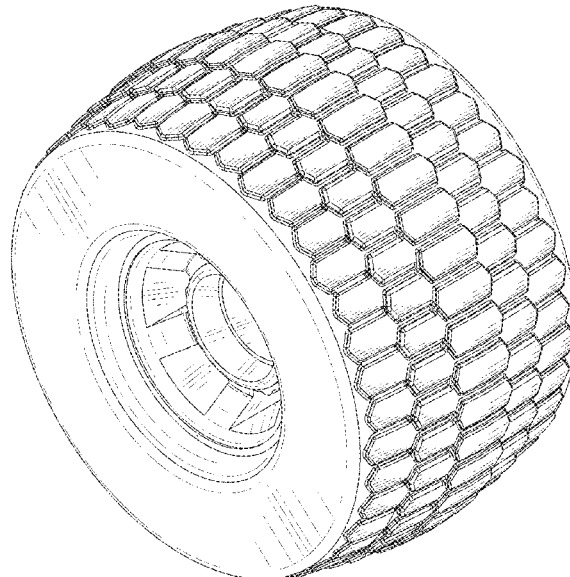
(57) **CLAIM**

The ornamental design for a skateboard wheel, as shown and described.

DESCRIPTION

FIG. 1 is a perspective view of the skateboard wheel showing my new design;
FIG. 2 is a front elevational view thereof;
FIG. 3 is a rear elevational view thereof;
FIG. 4 is a left side elevational view thereof;
FIG. 5 is a right side elevational view thereof;
FIG. 6 is a top plan view of thereof; and,
FIG. 7 is a bottom plan view of thereof.

1 Claim, 7 Drawing Sheets



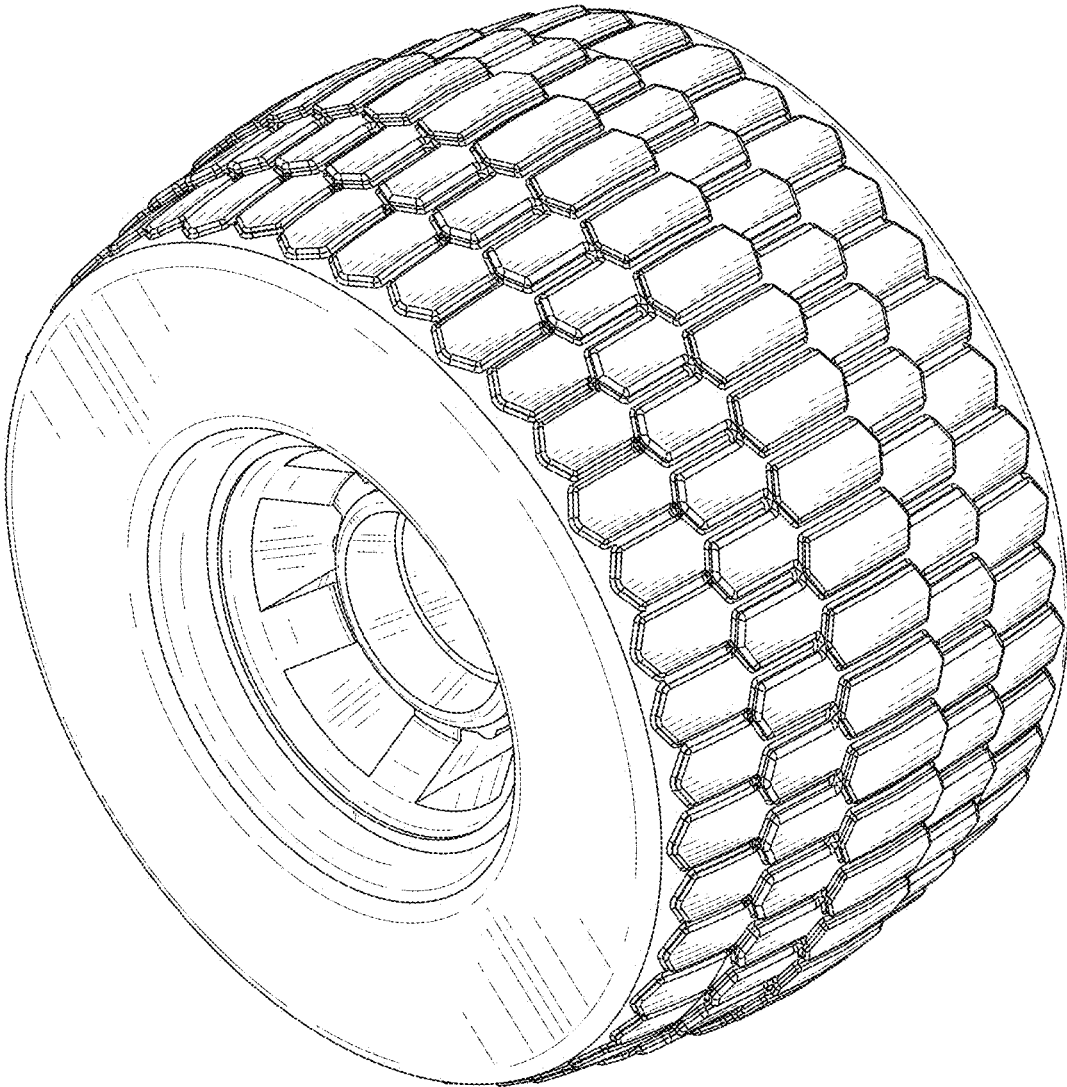


FIG. 1

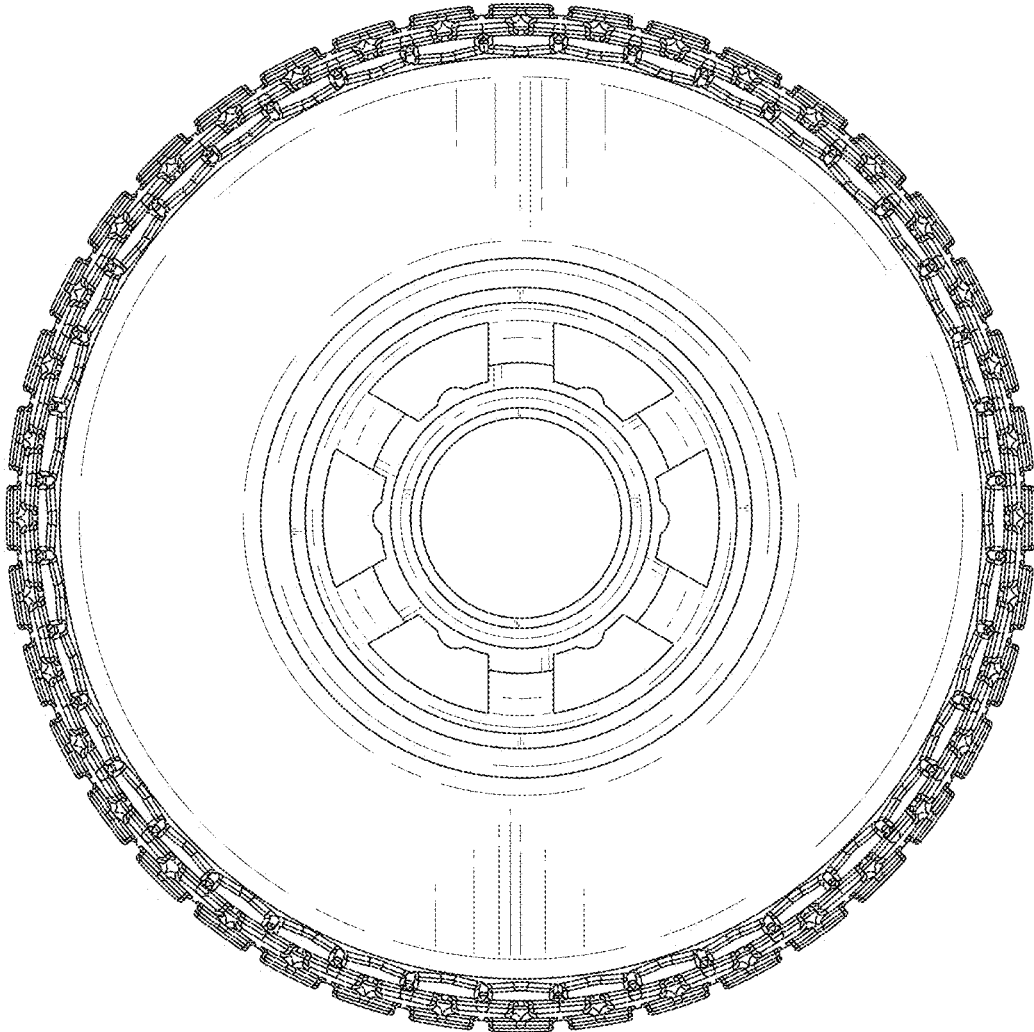


FIG. 2

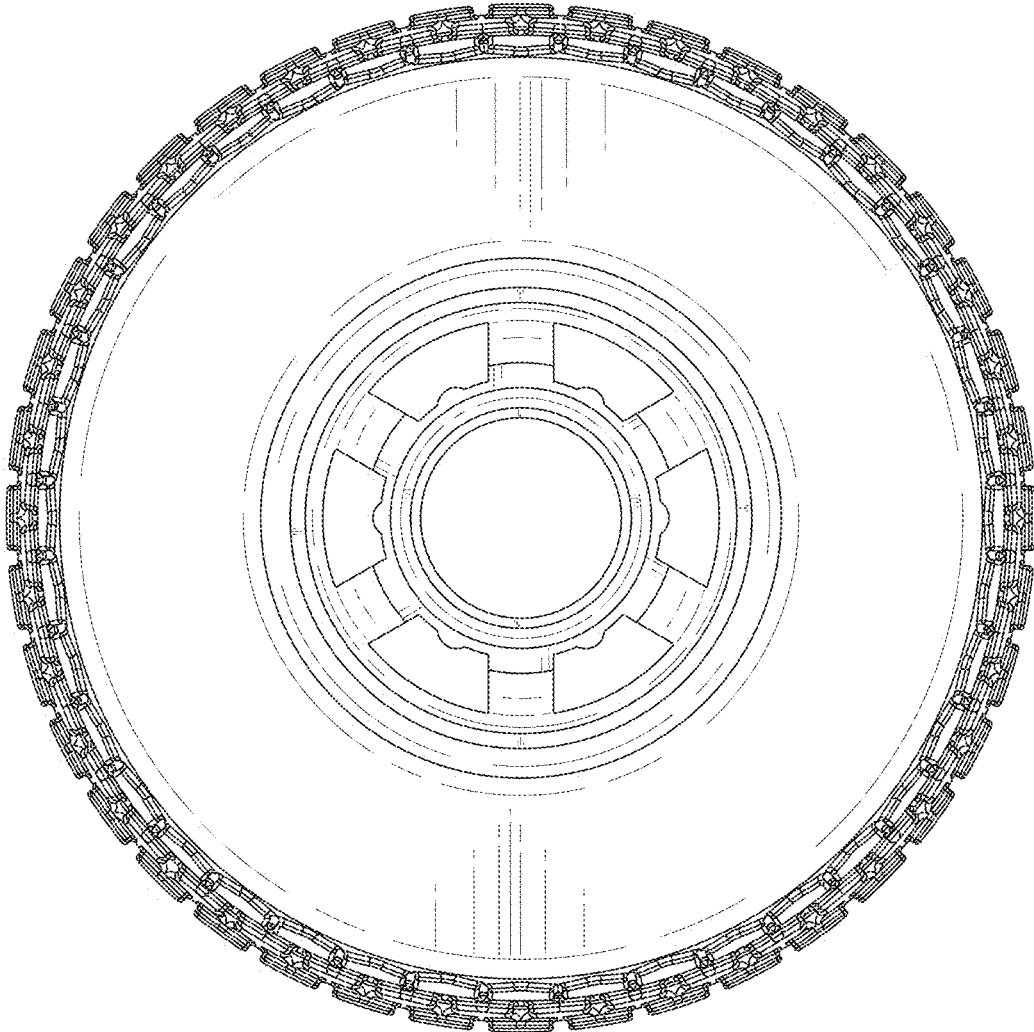


FIG. 3

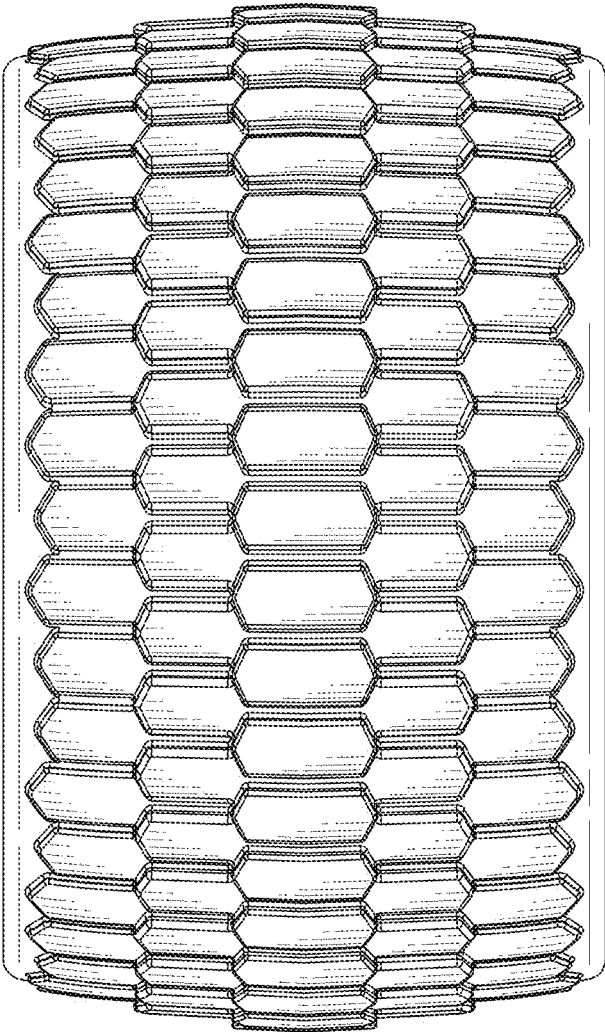


FIG. 4

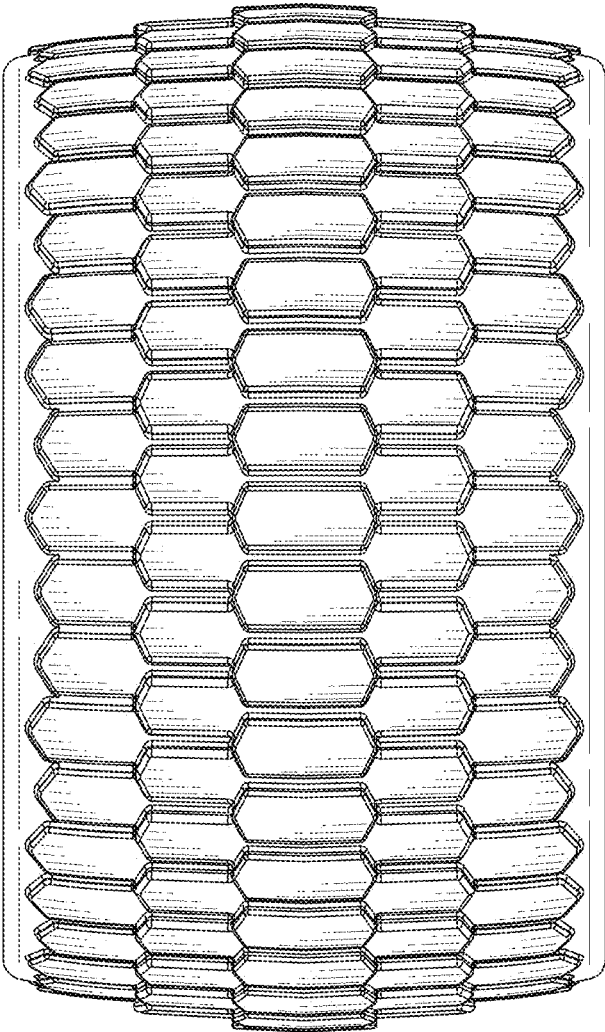


FIG. 5

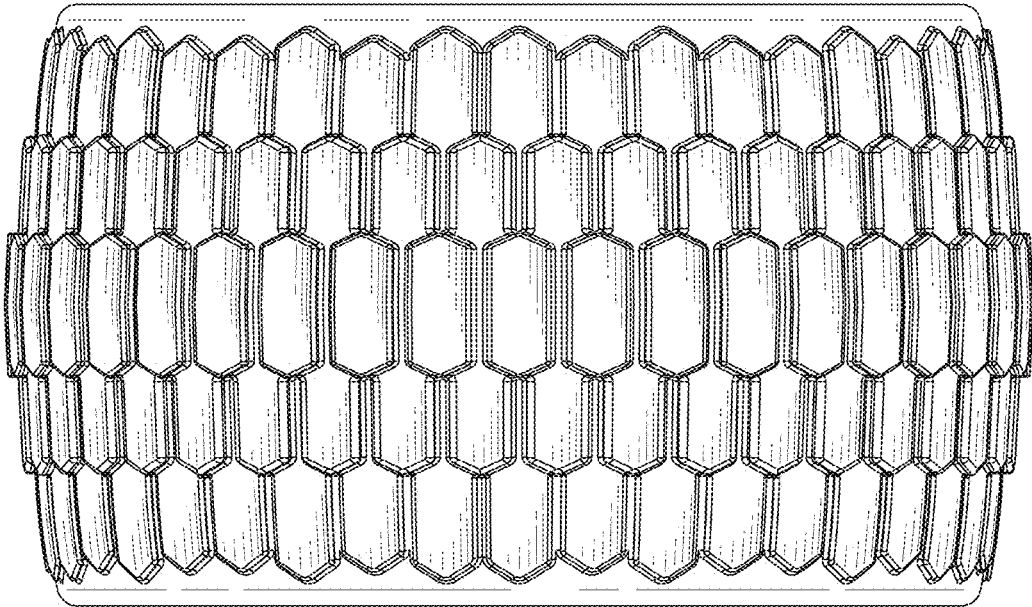


FIG. 6

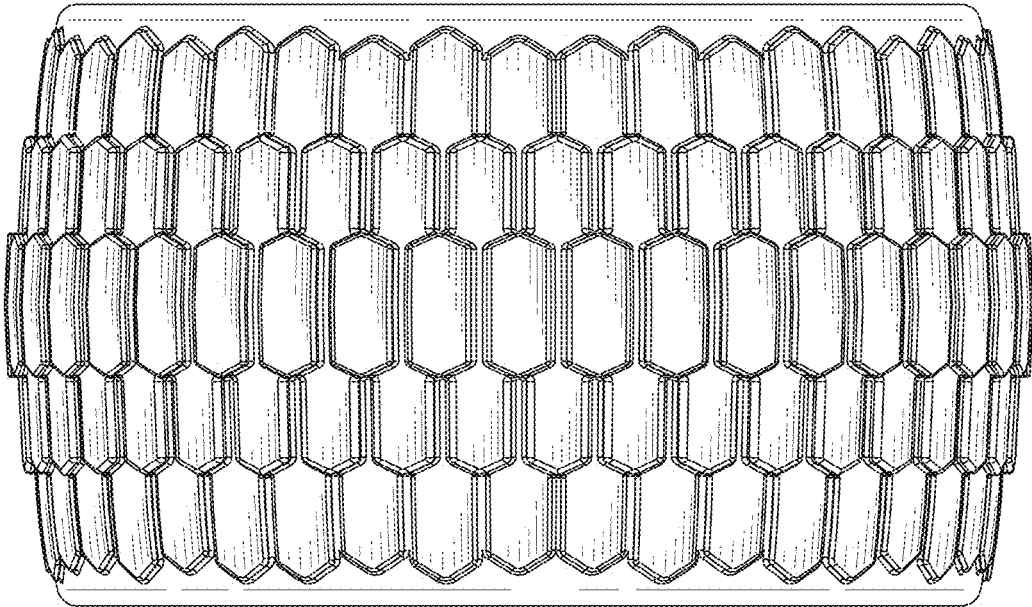


FIG. 7