



US00D790702S

(12) **United States Design Patent**
Su

(10) **Patent No.:** **US D790,702 S**

(45) **Date of Patent:** **** Jun. 27, 2017**

- (54) **PARANASAL IMPLANT**
- (71) Applicant: **SHAWHAN BIOMEDICAL CO., LTD.**, Taipei (TW)
- (72) Inventor: **Sea-Quan Su**, Taipei (TW)
- (73) Assignee: **SHAWHAN BIOMEDICAL CO., LTD.**, Taipei (TW)
- (**) Term: **14 Years**
- (21) Appl. No.: **29/517,760**
- (22) Filed: **Feb. 16, 2015**
- (51) **LOC (10) Cl.** **24-02**
- (52) **U.S. Cl.**
USPC **D24/155**
- (58) **Field of Classification Search**
USPC D24/155-157
CPC A61F 2/186; A61F 2/0059; A61F 2/2803;
A61F 2/2875; A61F 2002/2807; A61B
17/176
See application file for complete search history.

5,522,896 A *	6/1996	Prescott	A61B 17/0057
				623/23.56
5,716,405 A *	2/1998	Mittelman	A61B 17/1604
				623/10
D428,992 S *	8/2000	O’Keeffe	D24/155
D779,066 S *	2/2017	Su	D24/155
2007/0067041 A1*	3/2007	Kotoske	A61F 2/02
				623/17.18
2008/0215149 A1*	9/2008	Bae	A61F 2/0059
				623/11.11
2013/0298931 A1*	11/2013	Samain	A45D 44/22
				132/200
2015/0148902 A1*	5/2015	Komrit	A61F 2/0059
				623/10

* cited by examiner

Primary Examiner — Charles Hanson
(74) *Attorney, Agent, or Firm* — CKC & Partners Co., Ltd.

(57) **CLAIM**

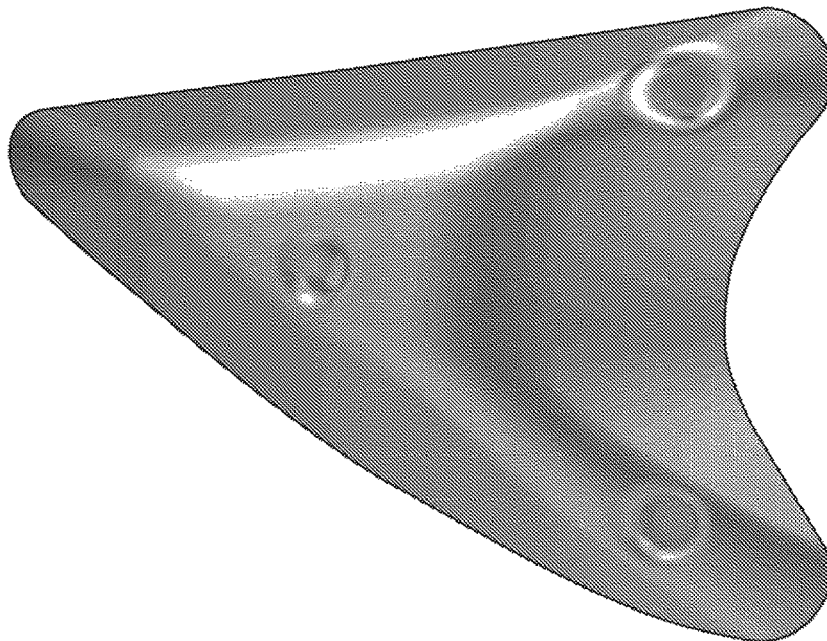
The ornamental design for a paranasal implant, as shown and described.

DESCRIPTION

FIG. 1 is a perspective view of a paranasal implant showing my new design;
FIG. 2 is a front view thereof;
FIG. 3 is a rear view thereof;
FIG. 4 is a left side view thereof;
FIG. 5 is a right side view thereof;
FIG. 6 is a top view thereof; and,
FIG. 7 is a bottom view thereof.

1 Claim, 7 Drawing Sheets

- (56) **References Cited**
U.S. PATENT DOCUMENTS
4,344,193 A * 8/1982 Kenny A61F 2/3872
128/DIG. 21
D270,759 S * 9/1983 Straith 128/DIG. 21
5,030,232 A * 7/1991 Pham A61F 2/186
623/10
D320,659 S * 10/1991 Johansson D24/155
D366,526 S * 1/1996 Rizzo D24/155



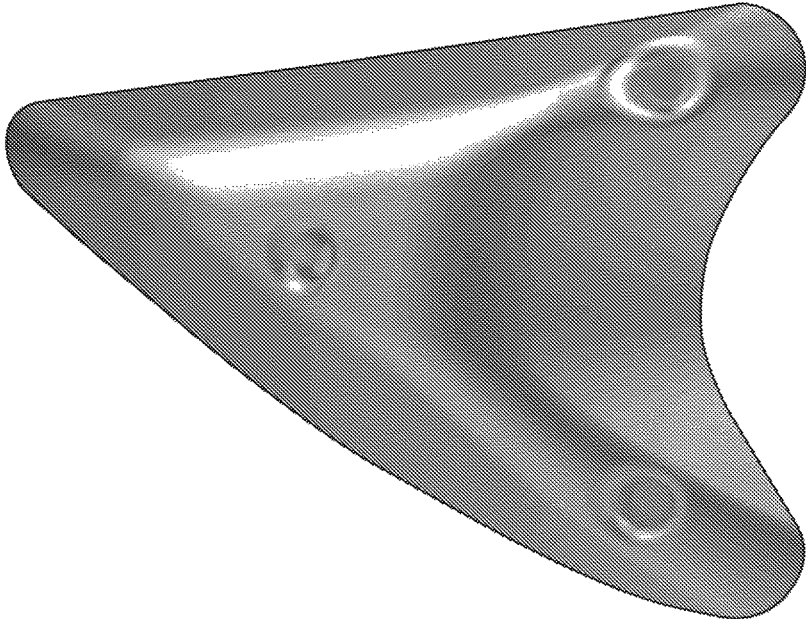


Fig. 1

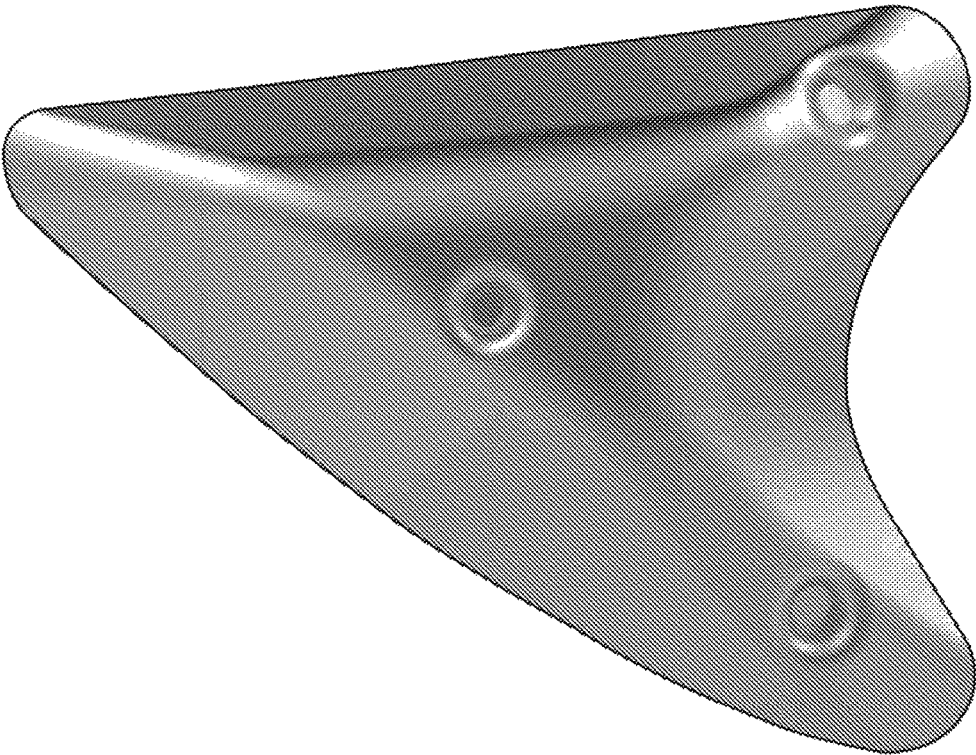


Fig. 2

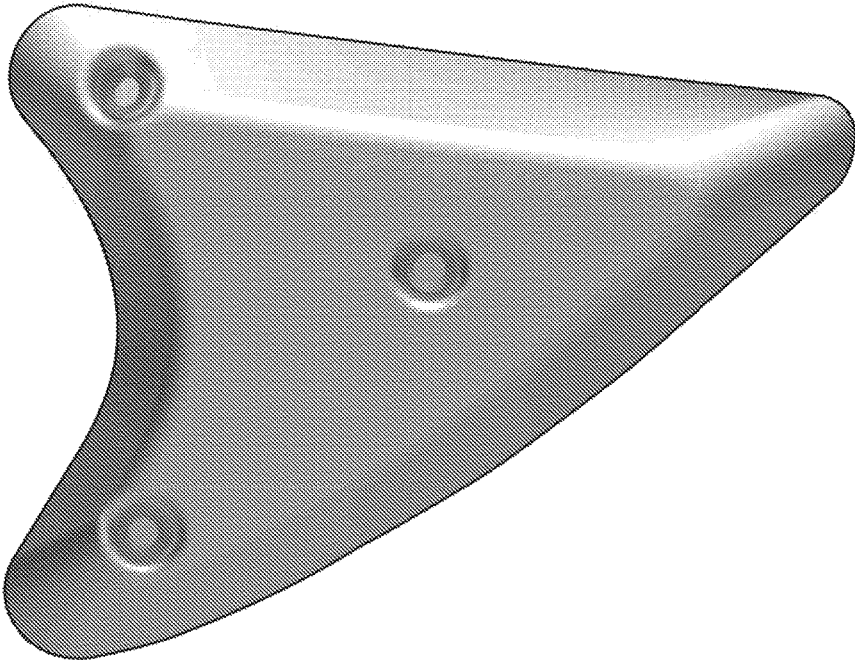


Fig. 3

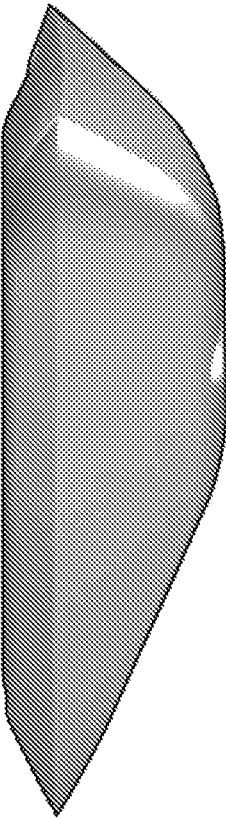


Fig. 4

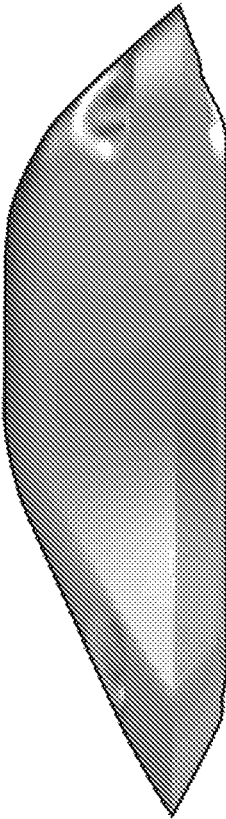


Fig. 5

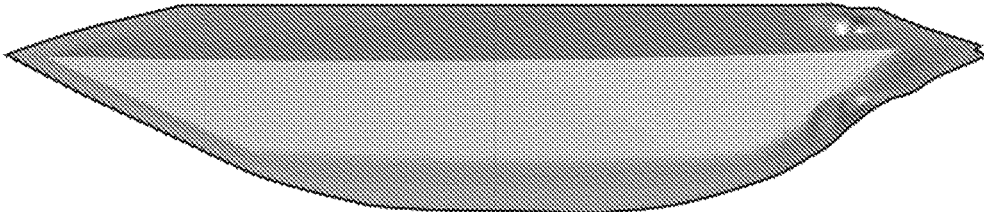


Fig. 6

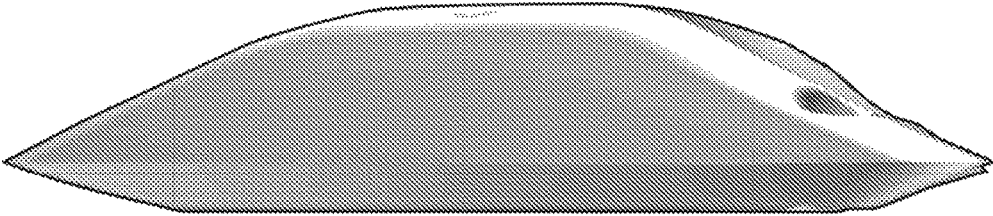


Fig. 7