

(19) World Intellectual Property Organization
International Bureau



(43) International Publication Date
20 April 2006 (20.04.2006)

PCT

(10) International Publication Number
WO 2006/041948 A3

- (51) International Patent Classification:
B65D 33/00 (2006.01) B65D 33/16 (2006.01)
- (21) International Application Number:
PCT/US2005/035874
- (22) International Filing Date: 3 October 2005 (03.10.2005)
- (25) Filing Language: English
- (26) Publication Language: English
- (30) Priority Data:
10/957,955 4 October 2004 (04.10.2004) US
- (71) Applicant and
- (72) Inventor: REVELS, Eric [US/US]; 1137 South Turkey
Creek Road, Leicester, NC 28748 (US).
- (74) Agent: KEATY, Thomas, S.; 2 Canal Street, World Trade
Center, New Orleans, LA 70130 (US).

GD, GE, GH, GM, HR, HU, ID, IL, IN, IS, JP, KE, KG, KM, KP, KR, KZ, LC, LK, LR, LS, LT, LU, LV, LY, MA, MD, MG, MK, MN, MW, MX, MZ, NA, NG, NI, NO, NZ, OM, PG, PH, PL, PT, RO, SC, SD, SE, SG, SK, SL, SM, SY, TJ, TM, TN, TR, TT, TZ, UA, UG, US, UZ, VC, VN, YU, ZA, ZM, ZW.

(84) Designated States (unless otherwise indicated, for every kind of regional protection available): ARIPO (BW, GH, GM, KE, LS, MW, MZ, NA, SD, SL, SZ, TZ, UG, ZM, ZW), Eurasian (AM, AZ, BY, KG, KZ, MD, RU, TJ, TM), European (AT, BE, BG, CH, CY, CZ, DE, DK, EE, ES, FI, FR, GB, GR, HU, IE, IS, IT, LT, LU, LV, MC, NL, PL, PT, RO, SE, SI, SK, TR), OAPI (BF, BJ, CF, CG, CI, CM, GA, GN, GQ, GW, ML, MR, NE, SN, TD, TG).

Published:

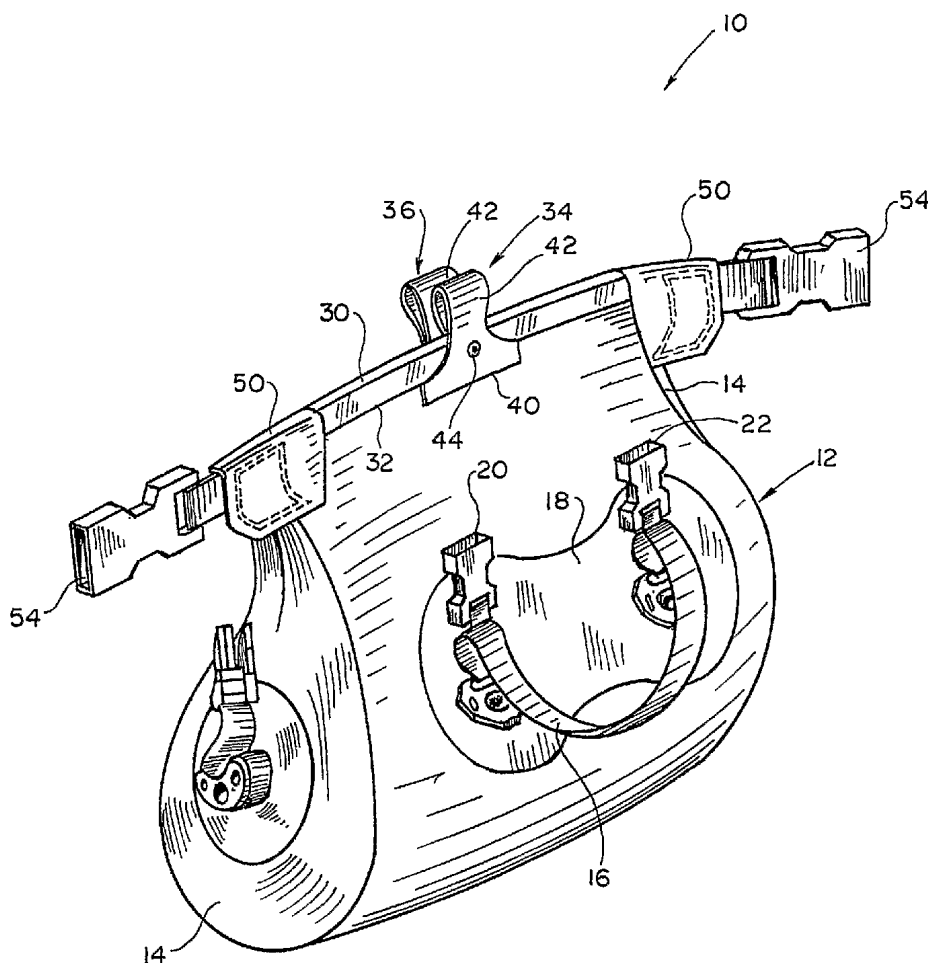
— with international search report

(88) Date of publication of the international search report:
22 February 2007

For two-letter codes and other abbreviations, refer to the "Guidance Notes on Codes and Abbreviations" appearing at the beginning of each regular issue of the PCT Gazette.

(81) Designated States (unless otherwise indicated, for every kind of national protection available): AE, AG, AL, AM, AT, AU, AZ, BA, BB, BG, BR, BW, BY, BZ, CA, CH, CN, CO, CR, CU, CZ, DK, DM, DZ, EC, EE, EG, ES, FI, GB,

(54) Title: WATERPROOF CARRYING BAG



(57) Abstract: A waterproof carrying case formed from a soft flexible materials using dielectric welding. A main body of the bag carries an interlocking closure member fused in an open trap and sealed against the main body by a pair of end sleeves positioned over a corner of the main body and the closure member. A pair of opening loop handles is secured to the main body adjacent the closure member. By pulling on the loop handles, a user can open the tightly closed interlocking closure.

WO 2006/041948 A3

INTERNATIONAL SEARCH REPORT

International application No.

PCT/US05/35874

<p>A. CLASSIFICATION OF SUBJECT MATTER IPC: B65D 33/00. 33/16</p> <p>USPC: 383/35,63,65 According to International Patent Classification (IPC) or to both national classification and IPC</p>																													
<p>B. FIELDS SEARCHED</p> <p>Minimum documentation searched (classification system followed by classification symbols) U.S. : 383/35, 63, 65</p> <p>Documentation searched other than minimum documentation to the extent that such documents are included in the fields searched</p> <p>Electronic data base consulted during the international search (name of data base and, where practicable, search terms used)</p>																													
<p>C. DOCUMENTS CONSIDERED TO BE RELEVANT</p> <table border="1"> <thead> <tr> <th>Category *</th> <th>Citation of document, with indication, where appropriate, of the relevant passages</th> <th>Relevant to claim No.</th> </tr> </thead> <tbody> <tr> <td>A</td> <td>US 3,275,053 A (KABANA) 27 September 1966 (27.09.1966), entire document.</td> <td>1-20</td> </tr> <tr> <td>A</td> <td>US 4,033,013 A (PETERSON) 05 July 1977 (05.07.1977), entire document.</td> <td>1-20</td> </tr> <tr> <td>A</td> <td>US 4,204,526 A (SAMUELS et al.) 27 May 1980 (27.05.1980), entire document.</td> <td>1-20</td> </tr> <tr> <td>X</td> <td>US 4,822,178 A (TAYLOR) 18 April 1989 (18.04.1989), entire document.</td> <td>1-6</td> </tr> <tr> <td>---</td> <td></td> <td>-----</td> </tr> <tr> <td>Y</td> <td></td> <td>7-20</td> </tr> <tr> <td>A</td> <td>US 5,448,807 A (HERRINGTON, JR.) 12 September 1995 (12.09.1995), entire document.</td> <td>1-20</td> </tr> <tr> <td>A</td> <td>US 5,908,245 A (BOST et al.) 01 June 1999 (01.06.1999), entire document.</td> <td>1-20</td> </tr> </tbody> </table>			Category *	Citation of document, with indication, where appropriate, of the relevant passages	Relevant to claim No.	A	US 3,275,053 A (KABANA) 27 September 1966 (27.09.1966), entire document.	1-20	A	US 4,033,013 A (PETERSON) 05 July 1977 (05.07.1977), entire document.	1-20	A	US 4,204,526 A (SAMUELS et al.) 27 May 1980 (27.05.1980), entire document.	1-20	X	US 4,822,178 A (TAYLOR) 18 April 1989 (18.04.1989), entire document.	1-6	---		-----	Y		7-20	A	US 5,448,807 A (HERRINGTON, JR.) 12 September 1995 (12.09.1995), entire document.	1-20	A	US 5,908,245 A (BOST et al.) 01 June 1999 (01.06.1999), entire document.	1-20
Category *	Citation of document, with indication, where appropriate, of the relevant passages	Relevant to claim No.																											
A	US 3,275,053 A (KABANA) 27 September 1966 (27.09.1966), entire document.	1-20																											
A	US 4,033,013 A (PETERSON) 05 July 1977 (05.07.1977), entire document.	1-20																											
A	US 4,204,526 A (SAMUELS et al.) 27 May 1980 (27.05.1980), entire document.	1-20																											
X	US 4,822,178 A (TAYLOR) 18 April 1989 (18.04.1989), entire document.	1-6																											
---		-----																											
Y		7-20																											
A	US 5,448,807 A (HERRINGTON, JR.) 12 September 1995 (12.09.1995), entire document.	1-20																											
A	US 5,908,245 A (BOST et al.) 01 June 1999 (01.06.1999), entire document.	1-20																											
<p><input checked="" type="checkbox"/> Further documents are listed in the continuation of Box C. <input type="checkbox"/> See patent family annex.</p>																													
<p>* Special categories of cited documents:</p> <table border="0"> <tr> <td>"A" document defining the general state of the art which is not considered to be of particular relevance</td> <td>"T" later document published after the international filing date or priority date and not in conflict with the application but cited to understand the principle or theory underlying the invention</td> </tr> <tr> <td>"E" earlier application or patent published on or after the international filing date</td> <td>"X" document of particular relevance; the claimed invention cannot be considered novel or cannot be considered to involve an inventive step when the document is taken alone</td> </tr> <tr> <td>"L" document which may throw doubts on priority claim(s) or which is cited to establish the publication date of another citation or other special reason (as specified)</td> <td>"Y" document of particular relevance; the claimed invention cannot be considered to involve an inventive step when the document is combined with one or more other such documents, such combination being obvious to a person skilled in the art</td> </tr> <tr> <td>"O" document referring to an oral disclosure, use, exhibition or other means</td> <td>"&" document member of the same patent family</td> </tr> <tr> <td>"P" document published prior to the international filing date but later than the priority date claimed</td> <td></td> </tr> </table>			"A" document defining the general state of the art which is not considered to be of particular relevance	"T" later document published after the international filing date or priority date and not in conflict with the application but cited to understand the principle or theory underlying the invention	"E" earlier application or patent published on or after the international filing date	"X" document of particular relevance; the claimed invention cannot be considered novel or cannot be considered to involve an inventive step when the document is taken alone	"L" document which may throw doubts on priority claim(s) or which is cited to establish the publication date of another citation or other special reason (as specified)	"Y" document of particular relevance; the claimed invention cannot be considered to involve an inventive step when the document is combined with one or more other such documents, such combination being obvious to a person skilled in the art	"O" document referring to an oral disclosure, use, exhibition or other means	"&" document member of the same patent family	"P" document published prior to the international filing date but later than the priority date claimed																		
"A" document defining the general state of the art which is not considered to be of particular relevance	"T" later document published after the international filing date or priority date and not in conflict with the application but cited to understand the principle or theory underlying the invention																												
"E" earlier application or patent published on or after the international filing date	"X" document of particular relevance; the claimed invention cannot be considered novel or cannot be considered to involve an inventive step when the document is taken alone																												
"L" document which may throw doubts on priority claim(s) or which is cited to establish the publication date of another citation or other special reason (as specified)	"Y" document of particular relevance; the claimed invention cannot be considered to involve an inventive step when the document is combined with one or more other such documents, such combination being obvious to a person skilled in the art																												
"O" document referring to an oral disclosure, use, exhibition or other means	"&" document member of the same patent family																												
"P" document published prior to the international filing date but later than the priority date claimed																													
<p>Date of the actual completion of the international search 24 October 2006 (24.10.2006)</p>		<p>Date of mailing of the international search report 27 NOV 2006</p>																											
<p>Name and mailing address of the ISA/US Mail Stop PCT, Attn: ISA/US Commissioner for Patents P.O. Box 1450 Alexandria, Virginia 22313-1450 Facsimile No. (571) 273-3201</p>		<p>Authorized officer Jes F. Pascua Telephone No. (571) 272-3750</p>																											

INTERNATIONAL SEARCH REPORT

International application No.
PCT/US05/35874

C. (Continuation) DOCUMENTS CONSIDERED TO BE RELEVANT

Category *	Citation of document, with indication, where appropriate, of the relevant passages	Relevant to claim No.
Y	US 6,353,215 B1 (REVELS et al.) 05 March 2002 (05.03.2002), entire document.	1-20