



US00D523583S

(12) **United States Design Patent**
Boyd

(10) **Patent No.:** **US D523,583 S**

(45) **Date of Patent:** **** *Jun. 20, 2006**

(54) **DENTIFRICE**

(75) Inventor: **Thomas Boyd**, Metuchen, NJ (US)

(73) Assignee: **Colgate-Palmolive Company**, New York, NY (US)

(*) Notice: This patent is subject to a terminal disclaimer.

(**) Term: **14 Years**

(21) Appl. No.: **29/227,566**

(22) Filed: **Apr. 13, 2005**

(51) **LOC (8) Cl.** **28-03**

(52) **U.S. Cl.** **D28/4**

(58) **Field of Classification Search** D28/4,
D28/8.1, 8.2; 222/40, 94; 424/49, 52, 401,
424/492

See application file for complete search history.

(56) **References Cited**

U.S. PATENT DOCUMENTS

3,944,661	A	3/1976	Colodney et al.	
4,003,971	A	1/1977	Mannara	
4,069,311	A	1/1978	Mannara	
4,069,312	A	1/1978	Mannara	
D277,611	S	2/1985	Sanabria	
4,663,152	A	5/1987	Barth et al.	
4,849,212	A	7/1989	Glandorf et al.	
D304,382	S	10/1989	Mohrle	
5,035,349	A *	7/1991	Donahue	222/94
5,088,623	A *	2/1992	Crawford	222/40
5,318,203	A *	6/1994	Iaia et al.	222/94
5,941,420	A *	8/1999	Connan	222/94
5,993,784	A	11/1999	Hill	
D420,463	S *	2/2000	Mandadi et al.	D28/4

6,126,923	A *	10/2000	Burke et al.	424/49
6,139,820	A	10/2000	Fischer et al.	
6,161,729	A *	12/2000	Gentile et al.	222/94
6,592,852	B1	7/2003	Ryles et al.	
6,669,929	B1	12/2003	Boyd et al.	
D494,316	S	8/2004	Boyd	
D494,708	S	8/2004	Boyd	
D494,709	S	8/2004	Boyd	
D497,685	S *	10/2004	Boyd	D28/4
D497,686	S	10/2004	Boyd	

* cited by examiner

Primary Examiner—Jennifer Rivard

(74) *Attorney, Agent, or Firm*—Harris A. Wolin

(57) **CLAIM**

The ornamental design for a dentifrice, as shown and described.

DESCRIPTION

The dentifrice is shown as dispensed in two segments, one segment substantially transparent containing thin quadrangular shaped pieces and the other segment being primarily opaque.

FIG. 1 is a perspective view of the dentifrice of my design; FIG. 2 is a right side elevation thereof.

FIG. 3 is a front elevation view thereof.

FIG. 4 is a left side elevation view thereof.

FIG. 5 is a perspective view of an additional embodiment thereof.

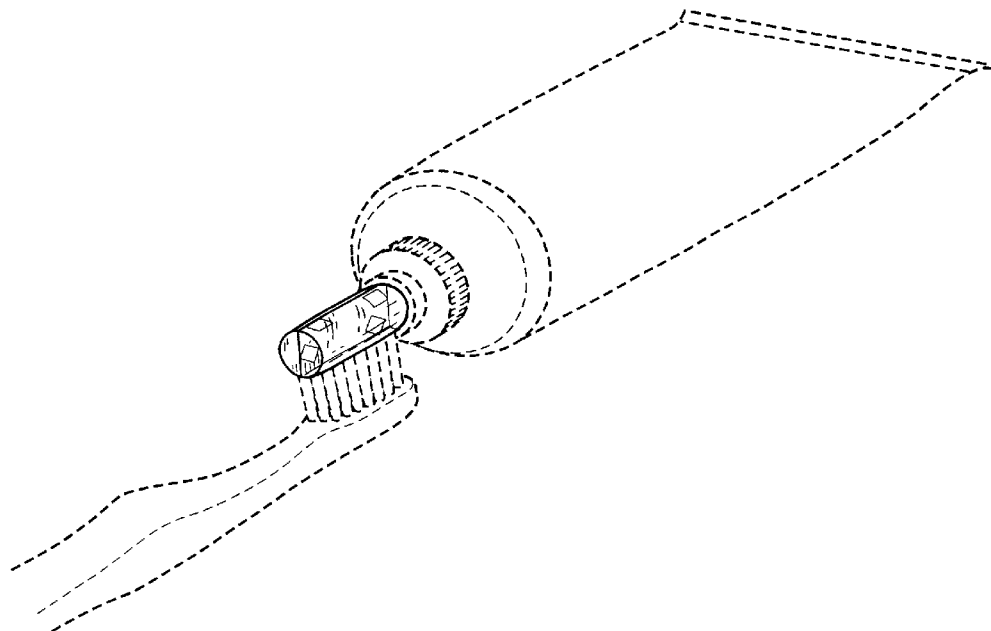
FIG. 6 is a right side elevation view thereof.

FIG. 7 is a front elevation view thereof; and,

FIG. 8 is a left side elevation view thereof.

The broken line showing of a toothbrush and a tube are for illustrative purposes only and form no part of the claimed design.

1 Claim, 2 Drawing Sheets



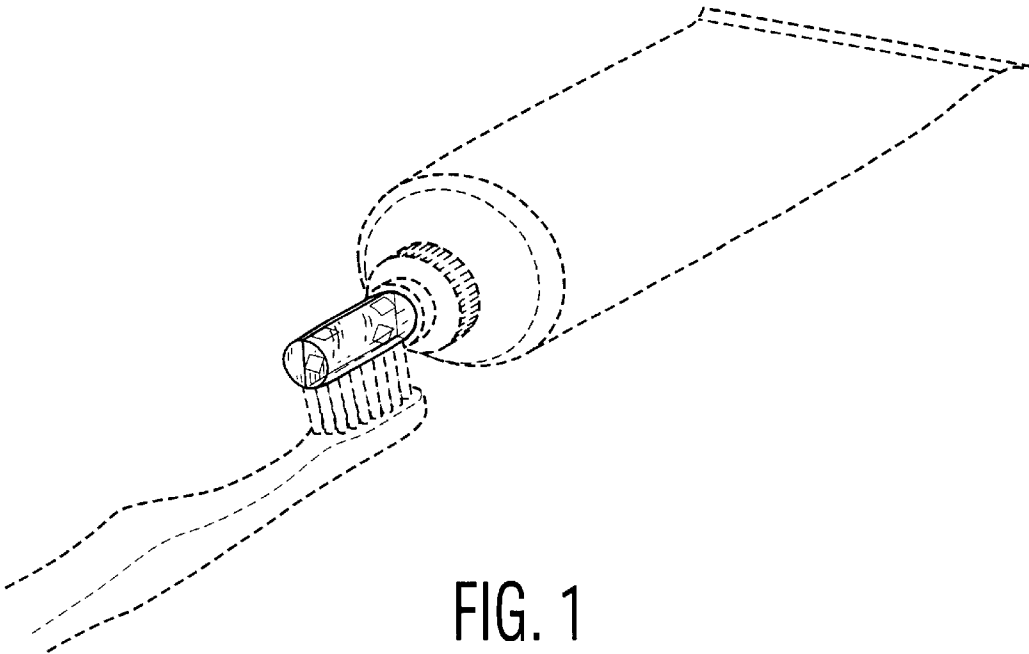


FIG. 1



FIG. 2

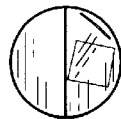


FIG. 3

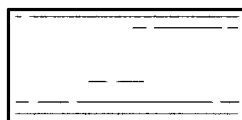


FIG. 4

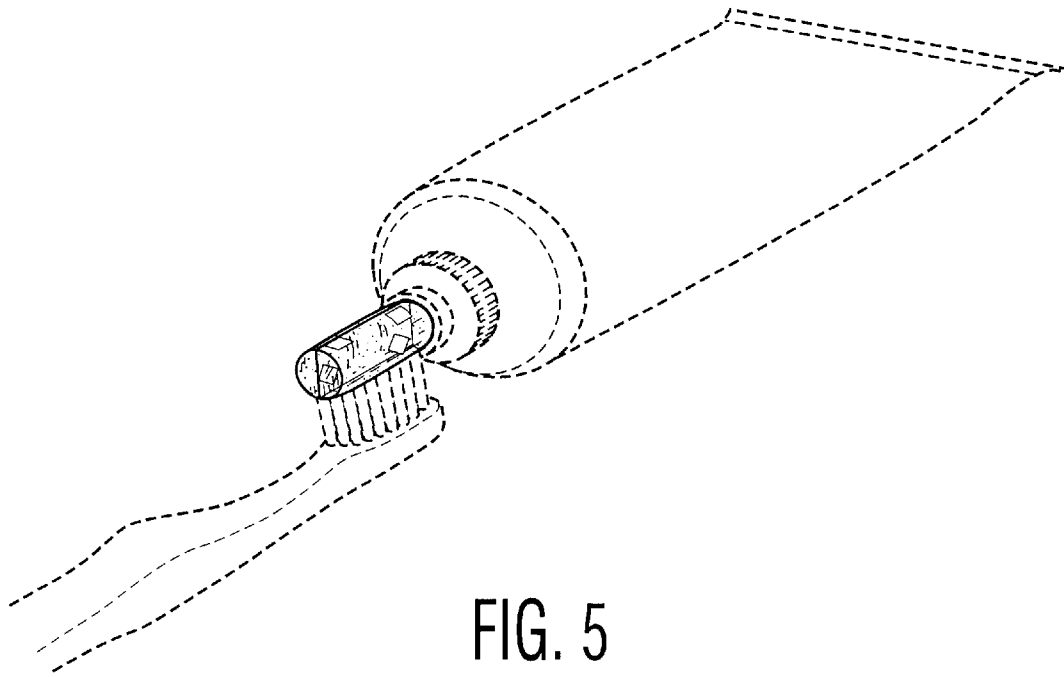


FIG. 5



FIG. 6

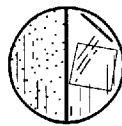


FIG. 7

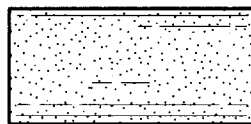


FIG. 8