

(19) World Intellectual Property Organization
International Bureau



(43) International Publication Date
25 June 2009 (25.06.2009)

PCT

(10) International Publication Number
WO 2009/079232 A3

(51) International Patent Classification:
C12Q 1/70 (2006.01)

(21) International Application Number:
PCT/US2008/085659

(22) International Filing Date:
5 December 2008 (05.12.2008)

(25) Filing Language: English

(26) Publication Language: English

(30) Priority Data:
60/992,509 5 December 2007 (05.12.2007) US

(71) Applicants (for all designated States except US):
PATHOGEN CONTROL ASSOCIATES (DBA PATHCON LABORATORIES) [US/US]; 270 Scientific Drive, Suite 3, Norcross, GA 30092 (US). **ELU-TRASEP, INC.** [US/US]; 7001 East Hills Way, Woodstock, GA 30189 (US).

(72) Inventors; and

(75) Inventors/Applicants (for US only): **FOGLE, Paul, W., Jr.** [US/US]; 9255 Mackinac Drive, Alpharetta, GA 30022 (US). **HOLT, Jason, Kenneth** [US/US]; 6425 Ball Ground Road, Ball Ground, GA 30107 (US). **SHELTON, Brian, G.** [CA/US]; 4231 River Laurel Trace, Suwanee, GA 30024 (US).

(74) Agent: **KONN, Kenneth, I.**; Kohn & Associates, PLLC, 30500 Northwestern Highway, Suite 410, Farmington Hills, MI 48334 (US).

(81) Designated States (unless otherwise indicated, for every kind of national protection available): AE, AG, AL, AM, AO, AT, AU, AZ, BA, BB, BG, BH, BR, BW, BY, BZ, CA, CH, CN, CO, CR, CU, CZ, DE, DK, DM, DO, DZ, EC, EE, EG, ES, FI, GB, GD, GE, GH, GM, GT, HN, HR, HU, ID, IL, IN, IS, JP, KE, KG, KM, KN, KP, KR, KZ, LA, LC, LK, LR, LS, LT, LU, LY, MA, MD, ME, MG, MK, MN, MW, MX, MY, MZ, NA, NG, NI, NO, NZ, OM, PG, PH, PL, PT, RO, RS, RU, SC, SD, SE, SG, SK, SL, SM, ST, SV, SY, TJ, TM, TN, TR, TT, TZ, UA, UG, US, UZ, VC, VN, ZA, ZM, ZW.

(84) Designated States (unless otherwise indicated, for every kind of regional protection available): ARIPO (BW, GH, GM, KE, LS, MW, MZ, NA, SD, SL, SZ, TZ, UG, ZM, ZW), Eurasian (AM, AZ, BY, KG, KZ, MD, RU, TJ, TM), European (AT, BE, BG, CH, CY, CZ, DE, DK, EE, ES, FI, FR, GB, GR, HR, HU, IE, IS, IT, LT, LU, LV, MC, MT, NL, NO, PL, PT, RO, SE, SI, SK, TR), OAPI (BF, BJ, CF, CG, CI, CM, GA, GN, GQ, GW, ML, MR, NE, SN, TD, TG).

Published:

— with international search report (Art. 21(3))

[Continued on next page]

(54) Title: METHOD AND APPARATUS FOR MICRO-ORGANISM CAPTURE

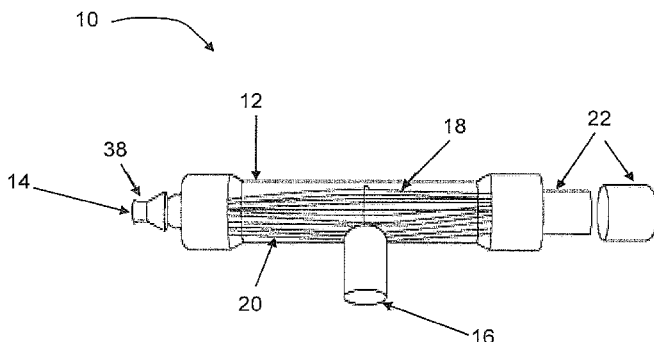


Figure 3

(57) Abstract: A micro-organism capture apparatus, including a housing having an inlet and outlet, the housing including therein a filter having an attracting mechanism for attracting and retaining micro-organisms, and a release mechanism for releasing the attracting mechanism operatively attached to the housing. A kit for sampling a liquid for micro-organisms. A method of attracting and retaining micro-organisms by flowing liquid through the micro-organism capture apparatus, and attracting, retaining, and concentrating micro-organisms within the liquid with the attracting mechanism. A method of isolating micro-organisms from a liquid sample by flowing liquid through the micro-organism capture apparatus, attracting, retaining, and concentrating micro-organisms within the liquid with the attracting mechanism, releasing the attracting means with the release mechanism, and isolating the micro-organisms retained by eluting the micro-organisms from the attracting mechanism. A method of indicating a liquid is in need of remediation.



WO 2009/079232 A3



- *before the expiration of the time limit for amending the claims and to be republished in the event of receipt of amendments (Rule 48.2(h))*
- *with information concerning authorization of rectification of an obvious mistake under Rule 91.3 (b) (Rule 48.2(i))*

(88) Date of publication of the international search report:
25 February 2010

(15) Information about Correction:

Previous Correction:
see Notice of 5 November 2009

INTERNATIONAL SEARCH REPORT

International application No.

PCT/US 08/85659

A. CLASSIFICATION OF SUBJECT MATTER IPC(8) - C12Q 1/70 (2009.01) USPC - 435/5 According to International Patent Classification (IPC) or to both national classification and IPC		
B. FIELDS SEARCHED Minimum documentation searched (classification system followed by classification symbols) USPC: 435/5 Documentation searched other than minimum documentation to the extent that such documents are included in the fields searched USPC: 435/5; 435/7; 435/4; 435/805; 435/810; 436/518; 436/523; 436/525; 436/531; 436/532; 436/533; 436/534; 436/546; 436/800; 436/805; 436/808; 436/810; 436/820; 436/824; 436/825; 422/61 Electronic data base consulted during the international search (name of data base and, where practicable, search terms used) WEST (PGPB,USPT,USOC,EPAB,JPAB) Google (Patents, Scholar) Search Terms Used: capture microorganism fluidized bed hollow membrane filter luer magnet		
C. DOCUMENTS CONSIDERED TO BE RELEVANT		
Category*	Citation of document, with indication, where appropriate, of the relevant passages	Relevant to claim No.
Y	US 20060257993 A1 (MCDEVITT et al.) 16 November 2006 (16.11.2006), entire document, especially: para [0012], [0114], [0115], [0125], [0133], [0391], [0392]	1-40
Y	US 2005/0244943 A1 (LADISCH et al.) 3 November 2005 (03.11.2005), entire document, especially: [0013], [0020]-[0023], [0055], [0056], [0095]	1-40
Y	US 2005/0249724 A1 (LIHME et al.) 10 November 2005 (10.11.2005), para [0109], [0110], [0121]	3, 24, 32-34
Y	US 6,458,322 B1 (HARRIS) 01 October 2002 (01.10.2002), (col. 3, ln 35 - col. 4, ln 9; col. 7, ln 6-19)	16, 17, 23
Y	US 2005/0173341 A1 (SALINARO) 11 August 2005 (11.08.2008), para [0058], [0076]	25, 33
<input type="checkbox"/> Further documents are listed in the continuation of Box C. <input type="checkbox"/>		
* Special categories of cited documents: "A" document defining the general state of the art which is not considered to be of particular relevance "E" earlier application or patent but published on or after the international filing date "L" document which may throw doubts on priority claim(s) or which is cited to establish the publication date of another citation or other special reason (as specified) "O" document referring to an oral disclosure, use, exhibition or other means "P" document published prior to the international filing date but later than the priority date claimed "T" later document published after the international filing date or priority date and not in conflict with the application but cited to understand the principle or theory underlying the invention "X" document of particular relevance; the claimed invention cannot be considered novel or cannot be considered to involve an inventive step when the document is taken alone "Y" document of particular relevance; the claimed invention cannot be considered to involve an inventive step when the document is combined with one or more other such documents, such combination being obvious to a person skilled in the art "&" document member of the same patent family		
Date of the actual completion of the international search 21 December 2009 (21.12.2009)		Date of mailing of the international search report 04 JAN 2010
Name and mailing address of the ISA/US Mail Stop PCT, Attn: ISA/US, Commissioner for Patents P.O. Box 1450, Alexandria, Virginia 22313-1450 Facsimile No. 571-273-3201		Authorized officer: Lee W. Young PCT Helpdesk: 571-272-4300 PCT OSP: 571-272-7774