

(19) World Intellectual Property Organization
International Bureau



(43) International Publication Date
21 February 2002 (21.02.2002)

PCT

(10) International Publication Number
WO 02/015640 A3

(51) International Patent Classification⁷: H04R 11/06

CZ, DE, DK, DM, DZ, EC, EE, ES, FI, GB, GD, GE, GH, GM, HR, HU, ID, IL, IN, IS, JP, KE, KG, KP, KR, KZ, LC, LK, LR, LS, LT, LU, LV, MA, MD, MG, MK, MN, MW, MX, MZ, NO, NZ, PL, PT, RO, RU, SD, SE, SG, SI, SK, SL, TJ, TM, TR, TT, TZ, UA, UG, UZ, VN, YU, ZA, ZW.

(21) International Application Number: PCT/US01/41755

(22) International Filing Date: 14 August 2001 (14.08.2001)

(25) Filing Language: English

(84) Designated States (regional): ARIPO patent (GH, GM, KE, LS, MW, MZ, SD, SL, SZ, TZ, UG, ZW), Eurasian patent (AM, AZ, BY, KG, KZ, MD, RU, TJ, TM), European patent (AT, BE, CH, CY, DE, DK, ES, FI, FR, GB, GR, IE, IT, LU, MC, NL, PT, SE, TR), OAPI patent (BF, BJ, CF, CG, CI, CM, GA, GN, GQ, GW, ML, MR, NE, SN, TD, TG).

(26) Publication Language: English

(30) Priority Data:
60/225,124 14 August 2000 (14.08.2000) US
09/928,673 13 August 2001 (13.08.2001) US

(71) Applicant: KNOWLES ELECTRONICS, LLC
[US/US]; 1151 Maplewood Drive, Itasca, IL 60143 (US).

Published:
— with international search report
— before the expiration of the time limit for amending the claims and to be republished in the event of receipt of amendments

(72) Inventor: MILLER, Thomas, E.; 213 South Walnut Avenue, Arlington Heights, IL 60005 (US).

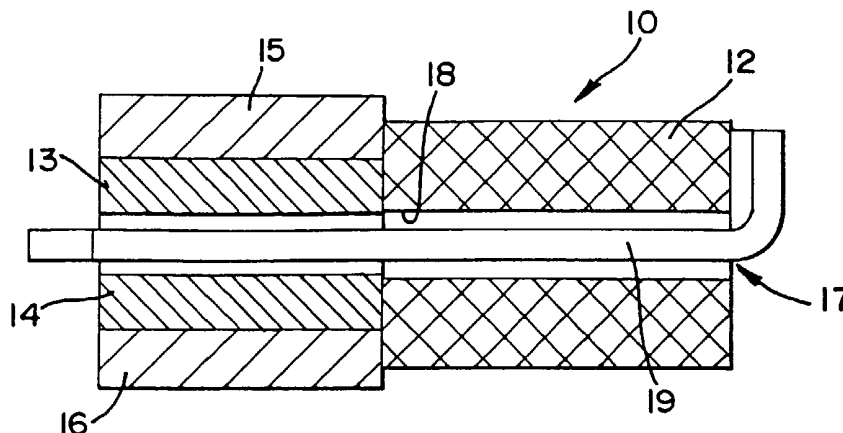
(74) Agents: MORNEAULT, Monique, A. et al.; Wallenstein & Wagner, Ltd., 311 South Wacker Drive - 5300, Chicago, IL 60606 (US).

(88) Date of publication of the international search report:
19 September 2002

(81) Designated States (national): AE, AG, AL, AM, AT, AU, AZ, BA, BB, BG, BR, BY, BZ, CA, CH, CN, CO, CR, CU,

For two-letter codes and other abbreviations, refer to the "Guidance Notes on Codes and Abbreviations" appearing at the beginning of each regular issue of the PCT Gazette.

(54) Title: LOW CAPACITANCE RECEIVER COIL



(57) Abstract: The disclosure relates to electroacoustic receivers of the type which incorporate a reed armature. Thus, a receiver comprises a coil, magnets, pole pieces and a reed armature which passes through a central tunnel defined by the coil. A central portion of the reed lies within the tunnel. The coil includes a predetermined winding for decreasing the parasitic capacitance of the coil.



WO 02/015640 A3

INTERNATIONAL SEARCH REPORT

International Application No
PCT/US 01/41755

A. CLASSIFICATION OF SUBJECT MATTER
IPC 7 H04R11/06

According to International Patent Classification (IPC) or to both national classification and IPC

B. FIELDS SEARCHED

Minimum documentation searched (classification system followed by classification symbols)
IPC 7 H04R

Documentation searched other than minimum documentation to the extent that such documents are included in the fields searched

Electronic data base consulted during the international search (name of data base and, where practical, search terms used)

EPO-Internal, WPI Data, PAJ

C. DOCUMENTS CONSIDERED TO BE RELEVANT

Category *	Citation of document, with indication, where appropriate, of the relevant passages	Relevant to claim No.
Y	US 5 757 947 A (GESCHIERE ONNO ET AL) 26 May 1998 (1998-05-26)	1,28
A	column 2, line 45 -column 3, line 67 ---	36-40
Y	US 4 272 654 A (CARLSON ELMER V) 9 June 1981 (1981-06-09)	1,28
A	column 2, line 21 -column 4, line 45 ---	36-40
Y	EP 0 533 284 A (MICROTEL BV) 24 March 1993 (1993-03-24)	1,28
	column 3, line 31 -column 7, line 1 -----	

Further documents are listed in the continuation of box C.

Patent family members are listed in annex.

* Special categories of cited documents :

- *A* document defining the general state of the art which is not considered to be of particular relevance
- *E* earlier document but published on or after the international filing date
- *L* document which may throw doubts on priority claim(s) or which is cited to establish the publication date of another citation or other special reason (as specified)
- *O* document referring to an oral disclosure, use, exhibition or other means
- *P* document published prior to the international filing date but later than the priority date claimed

- *T* later document published after the international filing date or priority date and not in conflict with the application but cited to understand the principle or theory underlying the invention
- *X* document of particular relevance; the claimed invention cannot be considered novel or cannot be considered to involve an inventive step when the document is taken alone
- *Y* document of particular relevance; the claimed invention cannot be considered to involve an inventive step when the document is combined with one or more other such documents, such combination being obvious to a person skilled in the art.
- *Z* document member of the same patent family

Date of the actual completion of the international search

16 July 2002

Date of mailing of the international search report

22/07/2002

Name and mailing address of the ISA
European Patent Office, P.B. 5818 Patentlaan 2
NL - 2280 HV Rijswijk
Tel. (+31-70) 340-2040, Tx. 31 651 epo nl,
Fax: (+31-70) 340-3016

Authorized officer

Psatha, H

INTERNATIONAL SEARCH REPORT
 Information on patent family members

International Application No
 PCT/US 01/41755

Patent document cited in search report		Publication date		Patent family member(s)	Publication date
US 5757947	A	26-05-1998	NL	1000880 C2	28-01-1997
US 4272654	A	09-06-1981	NONE		
EP 0533284	A	24-03-1993	NL	9101563 A	16-04-1993
			DE	69226057 D1	06-08-1998
			DE	69226057 T2	29-10-1998
			EP	0533284 A1	24-03-1993
			US	5255246 A	19-10-1993