

[54] LATCH BODY FOR A PIVOTING WINDOW SASH

[75] Inventors: Dennis Westphal, Galva; Jonathan Piles, McPherson, both of Kans.

[73] Assignee: CertainTeed Corporation, Valley Forge, Pa.

[**] Term: 14 Years

[21] Appl. No.: 275,549

[22] Filed: Nov. 23, 1988

[52] U.S. Cl. D8/343; D8/337

[58] Field of Search D8/330-331, D8/337-338, 343-344; 292/DIG. 4, DIG. 12, DIG. 20, DIG. 27, DIG. 63, 57, 300, 304; 49/417

[56] References Cited

U.S. PATENT DOCUMENTS

1,170,101 2/1916 Pullets 49/417
3,122,797 3/1964 Segre 292/175 X

3,135,542 6/1964 Wilkinson 292/DIG. 20 X
4,400,026 8/1983 Brown, Jr. 292/175
4,475,311 10/1984 Gibson 292/175 X
4,553,353 11/1985 Simpson 292/175 X
4,801,164 1/1989 Mosch 292/DIG. 47 X
4,826,222 5/1989 Davis 292/DIG. 20 X

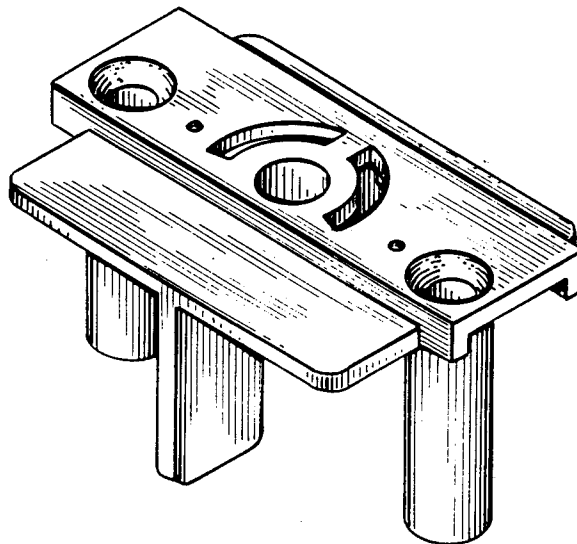
Primary Examiner—Wallace R. Burke
Assistant Examiner—Brian N. Vinson
Attorney, Agent, or Firm—Paul & Paul

[57] CLAIM

The ornamental design for a latch body for a pivoting window sash, as shown and described.

DESCRIPTION

FIG. 1 is a top, front, and right side perspective view of a latch body for a pivoting window sash showing our new design;
FIG. 2 is a top plan view thereof;
FIG. 3 is a front elevational view thereof;
FIG. 4 is a right side elevational view thereof, the left side being a mirror image of that shown; and
FIG. 5 is a bottom plan view thereof.



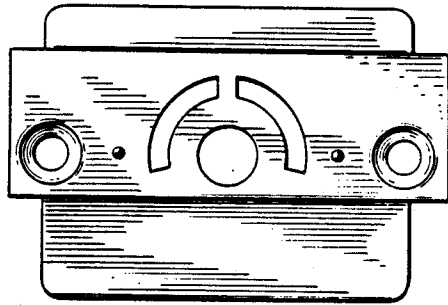


Fig. 2

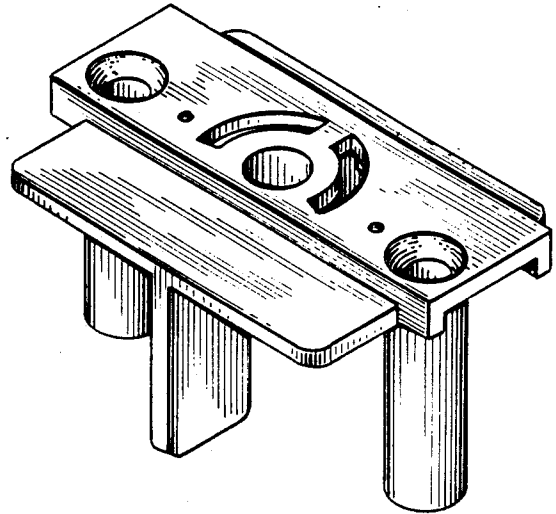


Fig. 1

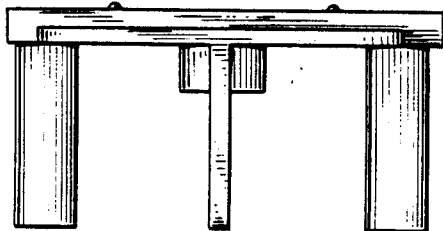


Fig. 3

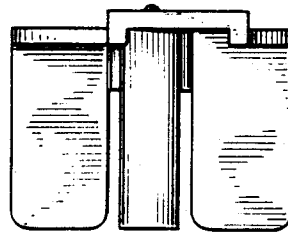


Fig. 4

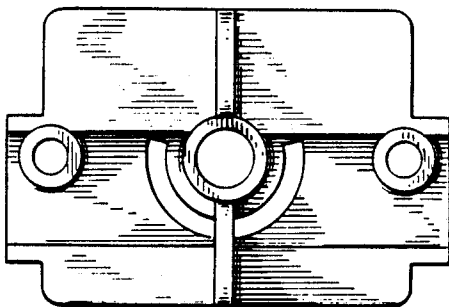


Fig. 5