



US00D925786S

(12) **United States Design Patent**
Baldwin et al.

(10) **Patent No.:** **US D925,786 S**

(45) **Date of Patent:** **** *Jul. 20, 2021**

- (54) **PLUG-IN NIGHT LIGHT**
- (71) Applicants: **Jeffrey P. Baldwin**, Anthem, AZ (US);
John E. Klein, Chandler, AZ (US)
- (72) Inventors: **Jeffrey P. Baldwin**, Anthem, AZ (US);
John E. Klein, Chandler, AZ (US)

5,947,786 A * 9/1999 Glick A63H 33/04
446/85
D419,259 S * 1/2000 Johnson D27/175
D435,124 S * 12/2000 Yuen D26/26
6,674,003 B1 * 1/2004 Torres H02G 3/14
174/66
6,675,512 B1 * 1/2004 Shwartz G09F 7/00
2/195.1
7,025,473 B2 * 4/2006 Dokoupil H05B 45/37
362/640
D524,461 S * 7/2006 Molenaar D26/26
(Continued)

(*) Notice: This patent is subject to a terminal disclaimer.

(**) Term: **15 Years**

(21) Appl. No.: **29/711,969**

(22) Filed: **Nov. 4, 2019**

(51) **LOC (13) Cl.** **26-05**

(52) **U.S. Cl.**
USPC **D26/26**

(58) **Field of Classification Search**
USPC D26/24, 26, 113, 118–120;
D23/366–367, 369
CPC F21S 8/035; F21V 23/06; F21V 23/04;
F21V 23/0442; F21W 2121/00; H01R
2103/00; H01R 39/64; H01R 33/00
See application file for complete search history.

(56) **References Cited**

U.S. PATENT DOCUMENTS

- D151,571 S * 10/1948 Tillinghast D13/156
- D346,361 S * 4/1994 Richey D13/156
- D352,564 S * 11/1994 Marischen D26/26
- 5,375,728 A * 12/1994 West H01R 13/443
174/488
- D376,214 S * 12/1996 Pinchuk D26/26
- D376,436 S * 12/1996 Emmerling D26/26
- D377,535 S * 1/1997 Shulman D26/26
- 5,662,408 A * 9/1997 Marischen F21S 8/035
362/253
- D392,756 S * 3/1998 Hanig D26/26
- D394,000 S * 5/1998 Rowe D9/414
- D403,442 S * 12/1998 Joss D26/26
- D405,007 S * 2/1999 Naas, Sr. D27/189

OTHER PUBLICATIONS

conservationmart.com: LimeLite Night Light 1018 Rectangle. Undated online product page. Retrieved on Nov. 23, 2020 from <https://www.conservationmart.com/p-418-limelite-night-light-1018-rectangle.aspx> (Year: 2020).*

(Continued)

Primary Examiner — Holly E Thurman
(74) *Attorney, Agent, or Firm* — Booth Udall Fuller, PLC; Kenneth C. Booth

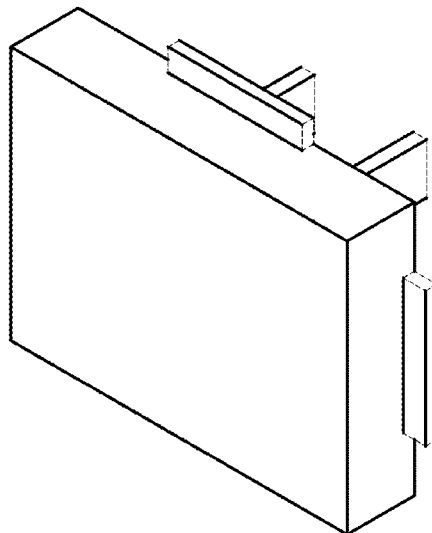
(57) **CLAIM**

We claim the ornamental design for a plug-in night light, as shown and described.

DESCRIPTION

FIG. 1 is a front view for a plug-in night light;
FIG. 2 is a right side view thereof;
FIG. 3 is a left side view thereof;
FIG. 4 is a top view thereof;
FIG. 5 is a bottom view thereof;
FIG. 6 is a back view thereof; and,
FIG. 7 is a front perspective view thereof.
The broken lines in the figures are for illustrative purposes or represent portions of the article which form no part of the claimed design.

1 Claim, 7 Drawing Sheets



(56)

References Cited

U.S. PATENT DOCUMENTS

| | | | |
|-------------------|---------|-------------|------------------------|
| D526,422 S * | 8/2006 | Yuen | D26/26 |
| 7,652,210 B2 * | 1/2010 | White | H01R 13/447 174/67 |
| D618,833 S * | 6/2010 | Wei | D26/26 |
| D633,237 S * | 2/2011 | Wang | D26/26 |
| D634,055 S * | 3/2011 | Hokazono | D26/89 |
| D639,984 S * | 6/2011 | Stolte | D26/26 |
| D641,098 S * | 7/2011 | Wildner | D26/89 |
| D645,175 S * | 9/2011 | Stolte | D26/26 |
| 8,093,497 B2 * | 1/2012 | White | H02G 3/14 174/67 |
| 8,324,500 B2 * | 12/2012 | Belyea | H01R 13/443 174/66 |
| D675,908 S * | 2/2013 | Neuhaus | D9/414 |
| D687,706 S * | 8/2013 | Akana | D9/432 |
| 9,088,081 B2 * | 7/2015 | Hildebrandt | H01R 13/521 |
| D755,607 S * | 5/2016 | Baber | D8/353 |
| D772,442 S * | 11/2016 | Lange | D26/26 |
| 9,509,080 B1 * | 11/2016 | Insalaco | H01R 24/30 |
| D776,064 S * | 1/2017 | Insalaco | H01R 31/06 D13/156 |
| D806,915 S * | 1/2018 | Burke | D26/26 |
| D813,212 S * | 3/2018 | Nangeroni | D14/240 |
| D818,155 S * | 5/2018 | Trice | D26/26 |
| D821,615 S * | 6/2018 | Trice | D26/26 |
| D849,692 S * | 5/2019 | Marsden | D13/156 |
| D858,274 S * | 9/2019 | Perella | D9/432 |
| D861,930 S * | 10/2019 | Wu | D26/26 |
| 10,468,817 B1 * | 11/2019 | Lee | H01R 13/5812 |
| D869,014 S * | 12/2019 | Wu | D26/26 |
| D870,326 S * | 12/2019 | Chen | D26/26 |
| D872,912 S * | 1/2020 | Wu | D26/26 |
| D873,448 S * | 1/2020 | Zhang | D26/26 |
| D876,196 S * | 2/2020 | Baheti | D8/71 |
| D876,679 S * | 2/2020 | Hou | D26/26 |
| D878,197 S * | 3/2020 | Griffin | D9/432 |
| D881,003 S * | 4/2020 | Hendricks | D9/432 |
| D890,605 S * | 7/2020 | Nelson | D9/423 |
| D894,436 S * | 8/2020 | Wu | D26/26 |
| D897,567 S * | 9/2020 | Wu | D26/26 |
| D899,247 S * | 10/2020 | Kilduff | D9/432 |
| 2002/0163796 A1 * | 11/2002 | Dickie | H05B 33/00 362/84 |
| 2005/0020112 A1 * | 1/2005 | De Cell | H01R 13/443 439/135 |
| 2006/0077684 A1 * | 4/2006 | Yuen | F21S 8/035 362/555 |
| 2008/0013932 A1 * | 1/2008 | He | A01M 1/2072 392/390 |
| 2016/0152375 A1 * | 6/2016 | Chen | B65D 5/30 229/150 |
| 2017/0133829 A1 * | 5/2017 | Caporale | H01B 3/443 |

OTHER PUBLICATIONS

amazon.com: Night Light, FURANDE Plug-in LED Night Light. Date uploaded Jun. 18, 2020 [site visited Nov. 23, 2020]. Retrieved from internet, <https://www.amazon.com/FURANDE-Adjustable-Brightness-Hallway-Stairway/dp/B08BFT6HNV/ref=sr_1_22?dchild=1&keywords=rectangular+night+light&qid=1606152455&sr=8-22> (Year: 2020).*

* cited by examiner

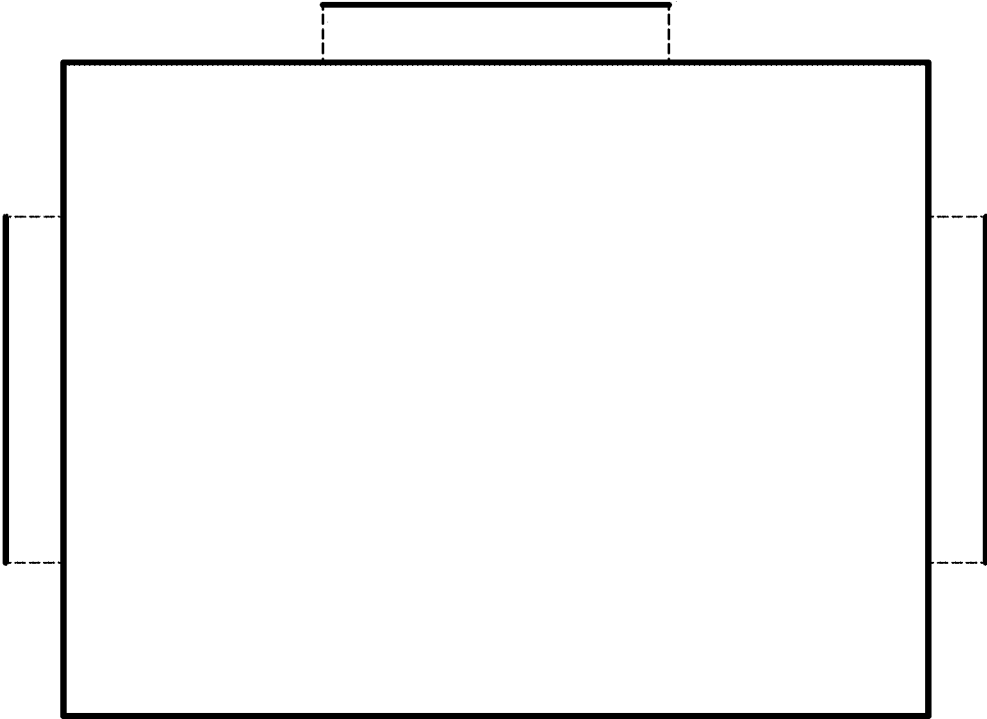


FIG. 1

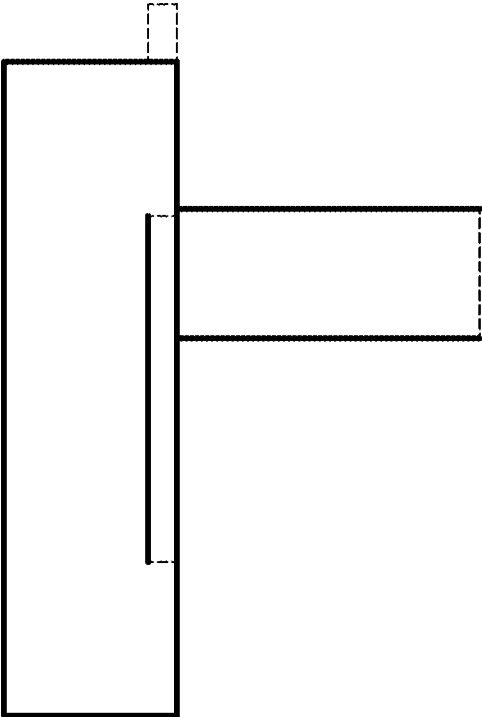


FIG. 2

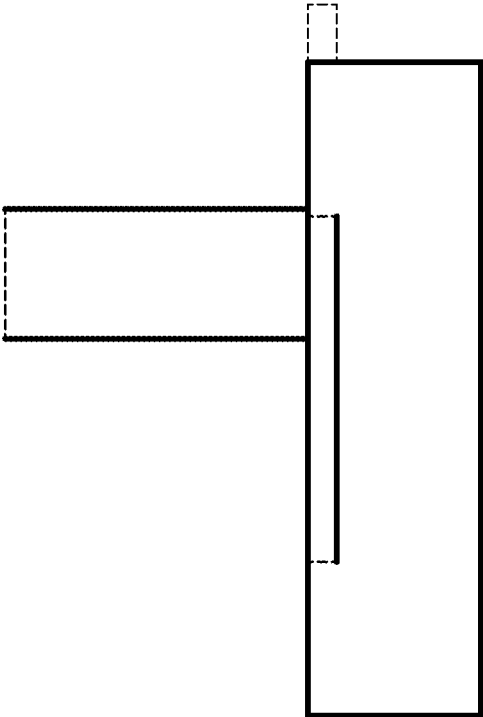


FIG. 3

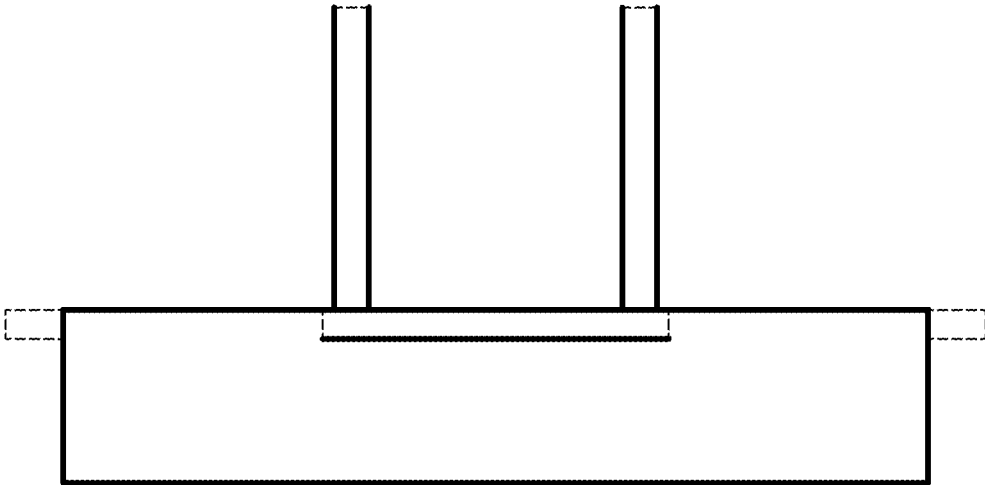


FIG. 4

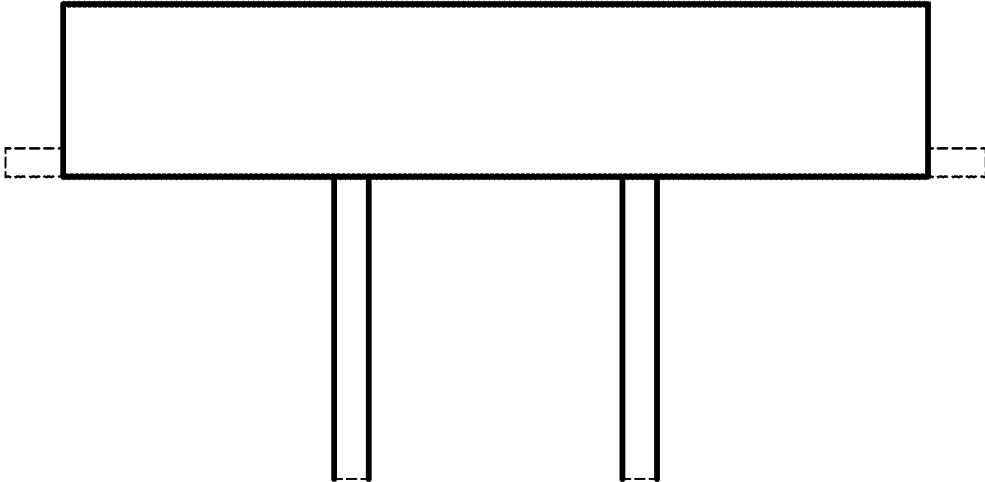


FIG. 5

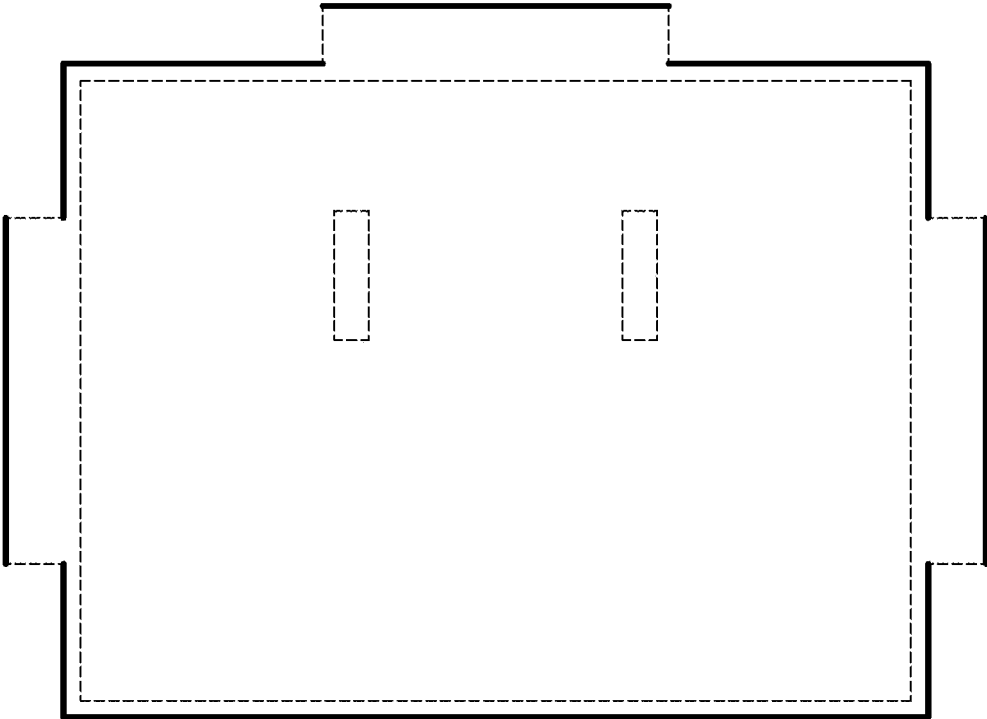


FIG. 6

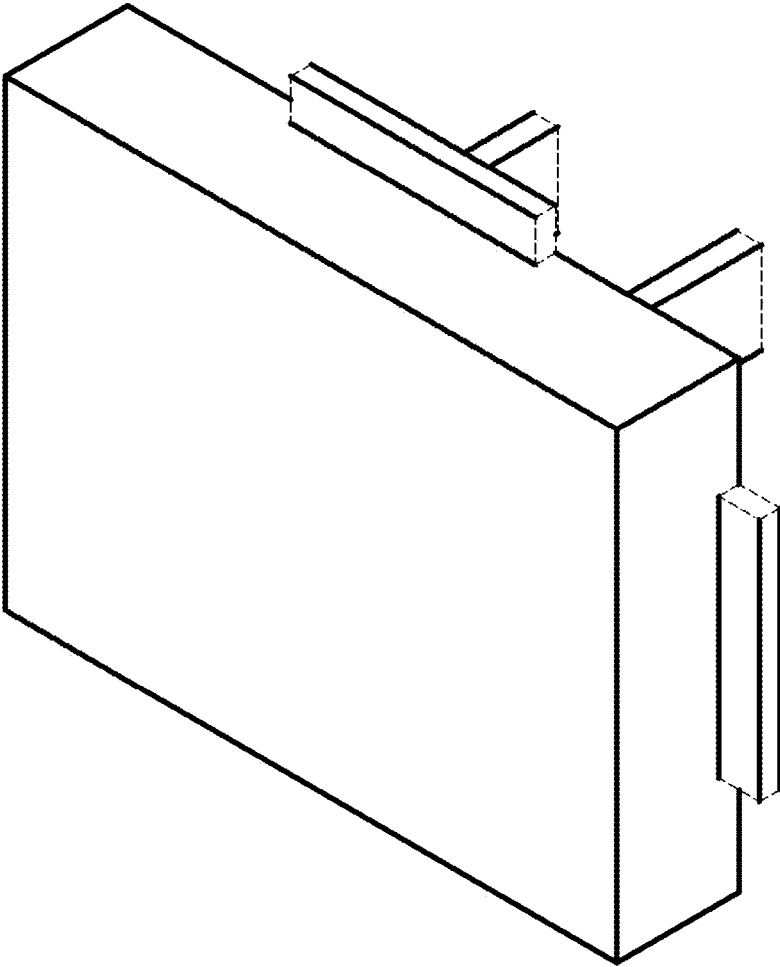


FIG. 7