

190,852

GOLF TEE SHELTER

Claude W. Ahrens, Box 275, Grinnell, Iowa

Filed Oct. 5, 1959, Ser. No. 57,781

Term of patent 14 years

(Cl. D13—1)

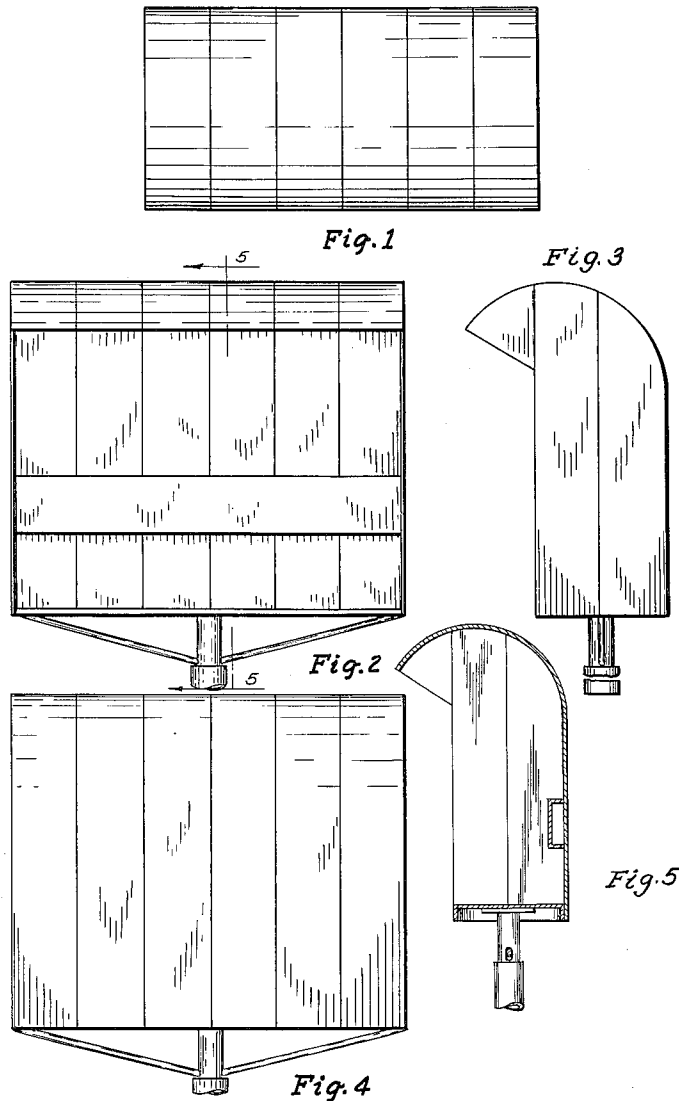


FIG. 1 is a top plan view of a golf tee shelter, showing my new design.

FIG. 2 is a front elevational view.

FIG. 3 is a side elevational view of the shelter with the tubular base member being broken away to indicate indeterminate length;

FIG. 4 is a rear elevational view; and

FIG. 5 is a vertical sectional view taken along the line 5—5 in FIG. 2.

The tubular base member is shown broken away in FIGS. 2, 4 and 5 for convenience of illustration.

I claim:
The ornamental design for a golf tee shelter, as shown and described.

References Cited in the file of this patent

UNITED STATES PATENTS

D. 156,558	Pledger	Dec. 20, 1949
2,269,925	Wnetrazak	Jan. 13, 1942
2,572,732	Keklen et al.	Oct. 23, 1951