



US00D904044S

(12) **United States Design Patent**
Weiss et al.

(10) **Patent No.:** **US D904,044 S**
(45) **Date of Patent:** **** Dec. 8, 2020**

(54) **CHAIR**
(71) Applicant: **Smith System Manufacturing Company, Inc.**, Carrollton, TX (US)
(72) Inventors: **Robert Weiss**, Grand Rapids, MI (US); **Mark Spoelhof**, Grand Rapids, MI (US); **Dylan McKinnon**, Grand Rapids, MI (US)
(73) Assignee: **Smith System Manufacturing Company, Inc.**, Carrollton, TX (US)

3,459,449 A 8/1969 Klausen
D219,443 S 12/1970 Hubel
3,604,749 A 9/1971 Parmett
3,637,256 A * 1/1972 Harty A47C 1/124
297/248
3,642,323 A * 2/1972 Taylor A47C 5/125
297/452.17
D227,833 S 7/1973 Olson
3,742,526 A 7/1973 Lillard
3,893,731 A 7/1975 Maggs
3,902,759 A 9/1975 Monteforte
D237,662 S 11/1975 Subert
D239,345 S * 3/1976 Keller D6/375
D240,311 S * 6/1976 Owens D6/375
3,972,560 A 8/1976 White
D243,045 S 1/1977 Haynes, Sr.
D243,047 S * 1/1977 Haynes, Sr. D6/377
4,050,736 A 9/1977 Karp
D246,492 S 11/1977 Roset

(**) Term: **15 Years**

(21) Appl. No.: **29/707,310**

(22) Filed: **Sep. 27, 2019**

(51) **LOC (12) Cl.** **06-01**

(52) **U.S. Cl.**
USPC **D6/348**

(58) **Field of Classification Search**
USPC D6/333, 334, 348, 364, 371, 375, 377, D6/390; D16/237; D21/412, 419, 521
CPC A47C 1/124; A47C 5/12; A47C 5/125; A47C 13/005; A47C 31/113; B60R 2/0284; B60R 2/062; B60R 22/001; B60R 22/24; B60R 22/28; B60R 22/58; B60R 22/64; B60R 22/68; B60R 22/80; B60R 22/99; B60R 22/245; B60R 22/643; B60R 22/646; B60R 22/665; B60R 22/686; B60R 22/688; B60R 22/803; B60R 2/986; B60R 22/914; B60R 22/995
See application file for complete search history.

(56) **References Cited**

U.S. PATENT DOCUMENTS

D185,584 S * 6/1959 Steuer D6/348
D198,312 S 6/1964 Gale
D213,773 S 4/1969 Beardmore

(Continued)

FOREIGN PATENT DOCUMENTS

JP 2006174931 A 7/2006

Primary Examiner — Kevin K Rudzinski
Assistant Examiner — Paul D Bohannon
(74) *Attorney, Agent, or Firm* — Price Heneveld LLP

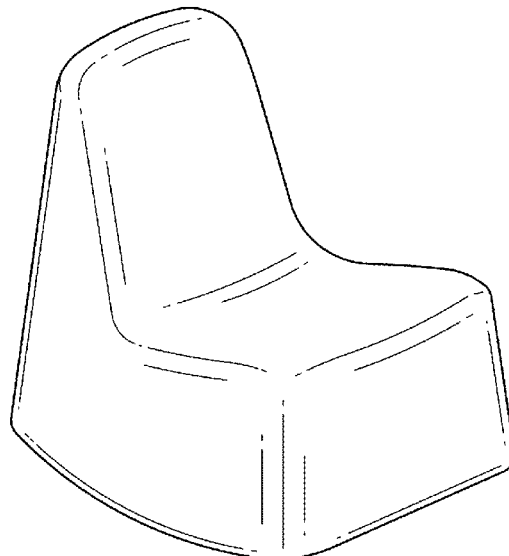
(57) **CLAIM**

We claim the ornamental design for a chair, as shown and described.

DESCRIPTION

FIG. 1 is a front perspective view of a chair, showing our new design;
FIG. 2 is front view of the chair thereof;
FIG. 3 is a rear view of the chair thereof;
FIG. 4 is a right side view of the chair thereof, the left side view is a mirror image of the right side view of FIG. 4;
FIG. 5 is a top view of the chair thereof; and,
FIG. 6 is a bottom view of the chair thereof.

1 Claim, 2 Drawing Sheets



(56)

References Cited

U.S. PATENT DOCUMENTS

D254,345 S	3/1980	Labor	
D255,959 S	7/1980	Mitchell	
D264,402 S	5/1982	Yellen	
D264,898 S	6/1982	Baker	
D276,103 S	10/1984	Turner	
D278,581 S	4/1985	Melchior	
D284,914 S	8/1986	Nemschoff	
D284,915 S	8/1986	Nemschoff	
D286,586 S	11/1986	Radford	
D286,588 S	11/1986	Culler	
D312,000 S	11/1990	Smith	
D315,643 S	3/1991	Guy	
5,040,847 A	8/1991	Nguyen	
D330,638 S	11/1992	Moschini	
D334,488 S	4/1993	Gehry	
D339,925 S	10/1993	Farre-Escofet Paris	
D344,191 S	2/1994	Gehry	
D362,347 S	9/1995	Karl	
D364,749 S	12/1995	McKnight	
D392,470 S	3/1998	Smith	
D412,406 S	8/1999	Stumpf	
6,464,300 B2	10/2002	Grove	
D497,727 S	11/2004	Monsalve	
D510,486 S	10/2005	Karl	
D526,495 S	8/2006	Albin	
D548,986 S	8/2007	McCoy	
D549,971 S	9/2007	Jourdan	
D550,464 S	9/2007	Bauchet	
7,287,816 B1 *	10/2007	Karl	A47C 31/113 297/452.17
7,472,959 B1	1/2009	Ratza	
D588,368 S	3/2009	McCoy	
7,523,988 B1	4/2009	Ratza	
D596,414 S	7/2009	Natuzzi	
D596,862 S	7/2009	Paulin	
D596,866 S	7/2009	Bergmann	
D609,481 S *	2/2010	Young-il	D6/364
D609,931 S	2/2010	Young-il	
D610,365 S	2/2010	Young-il	
D610,826 S	3/2010	Nigro	
D612,161 S	3/2010	Paulin	
D612,622 S	3/2010	Paulin	
D614,883 S	5/2010	Charoenapornwatana	
D615,308 S	5/2010	Serra Sola	
D626,350 S	11/2010	Chang	
D627,574 S	11/2010	Joly	
D627,575 S	11/2010	Joly	
D628,824 S	12/2010	Vignelli	
D632,503 S	2/2011	Saul	
D637,417 S	5/2011	Marcomini	
D644,448 S	9/2011	Li	
D646,496 S	10/2011	Fukasawa	
D655,926 S	3/2012	Orlandini	
D657,583 S	4/2012	Wilson	
D669,276 S	10/2012	Schaack	
D672,572 S	12/2012	Carmon	
D682,564 S	5/2013	Urquiola Hidalgo	
D682,574 S	5/2013	Pedersen	
D702,956 S	4/2014	Holscher	
D703,961 S	5/2014	Woodring	
D713,164 S	9/2014	Pedersen	
D716,064 S	10/2014	George, II	
D722,781 S	2/2015	Rashid	
D731,197 S	6/2015	Lee	
D737,589 S	9/2015	Lenhart	
D740,043 S *	10/2015	Lee	D6/375
D741,608 S *	10/2015	George, II	D6/348
D746,075 S	12/2015	Lievore et al.	
D754,448 S	4/2016	Akkad	
D756,674 S	5/2016	George, II	
D758,750 S	6/2016	Lievore	
D766,607 S	9/2016	Dorigo	
D770,792 S *	11/2016	George, II	D6/371
9,533,608 B2	1/2017	Von Rothkirch et al.	
D778,630 S *	2/2017	George, II	D6/371
D782,836 S	4/2017	Roland	
D785,355 S	5/2017	George, II	
D790,235 S *	6/2017	Chuah	D6/333
D794,348 S *	8/2017	Nigro	D6/371
D799,228 S	10/2017	Lewis	
D802,310 S	11/2017	Rockwell	
D804,201 S *	12/2017	Zwolsman	D6/334
D806,426 S *	1/2018	George, II	D6/371
D811,108 S	2/2018	Hiyoshi	
D813,293 S *	3/2018	Stambouli	D16/237
D817,653 S *	5/2018	Lee	D6/361
D823,011 S *	7/2018	Kesler	D6/348
D826,587 S *	8/2018	George, II	D6/371
D830,715 S	10/2018	Siebert	
D831,993 S *	10/2018	George, II	D6/375
D832,609 S	11/2018	Hecht	
D833,162 S	11/2018	Schnermann	
D850,136 S *	6/2019	Haugh	D6/371
2010/0259075 A1	10/2010	de la Rive Box	
2015/0150381 A1 *	6/2015	Lee	A47C 7/18 297/452.18
2017/0013962 A1 *	1/2017	Bandy	A47C 5/125
2019/0104842 A1 *	4/2019	Forman	A47B 3/063

* cited by examiner

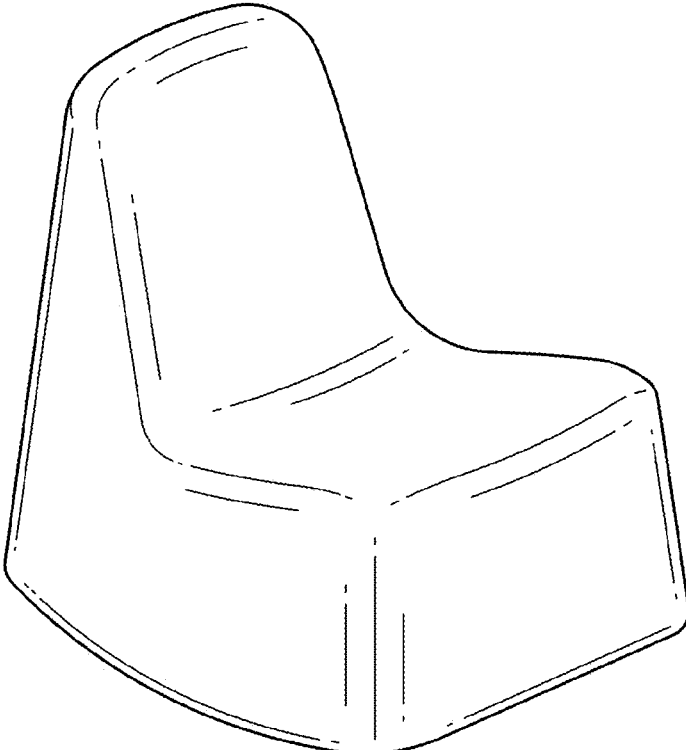


FIG. 1

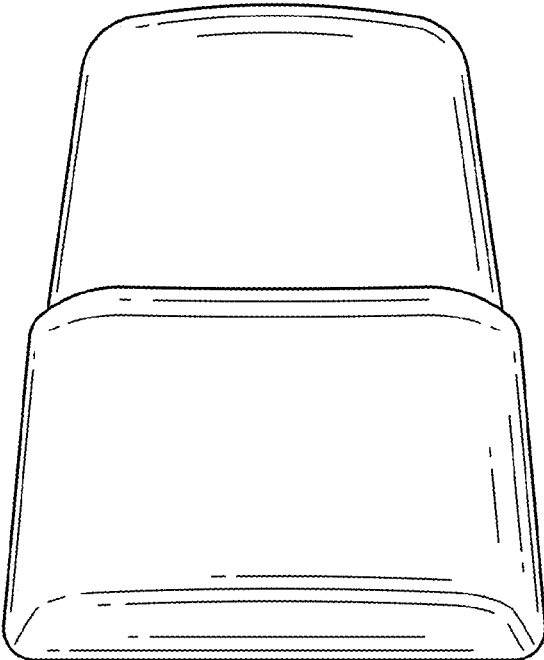


FIG. 2

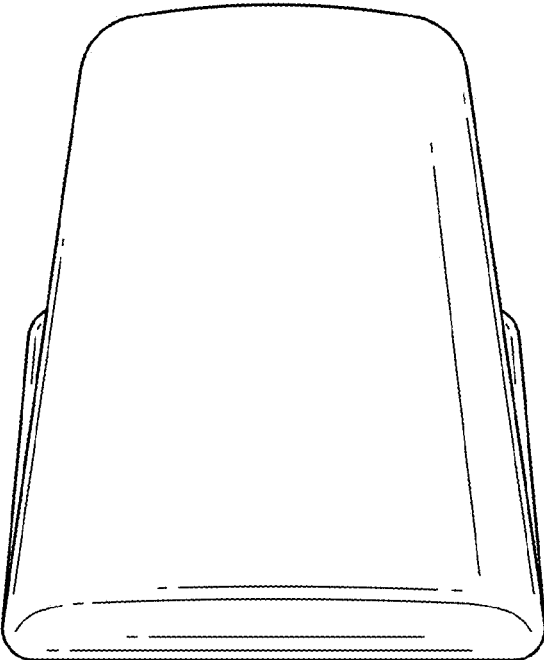


FIG. 3

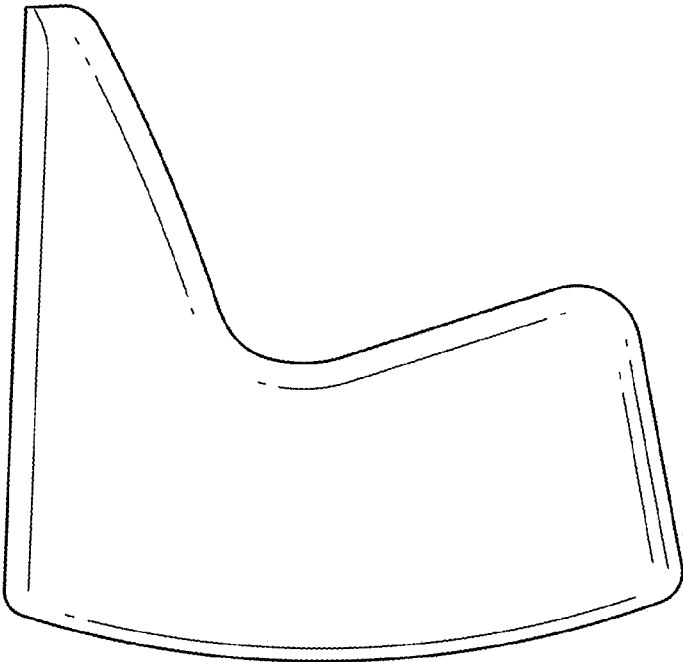


FIG. 4

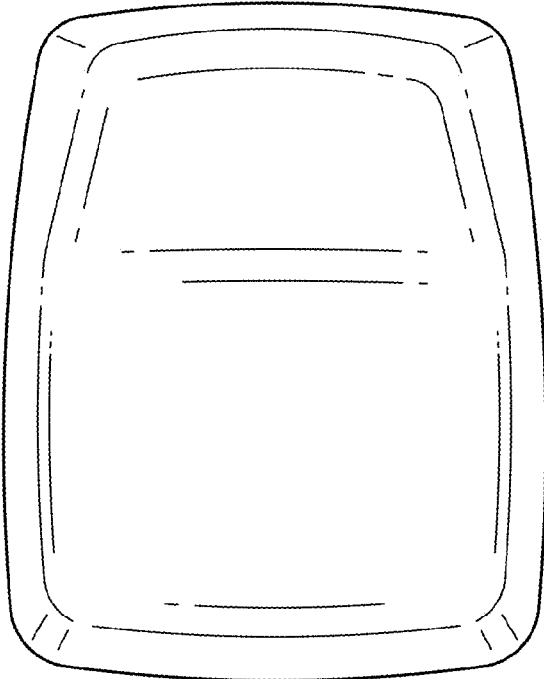


FIG. 5

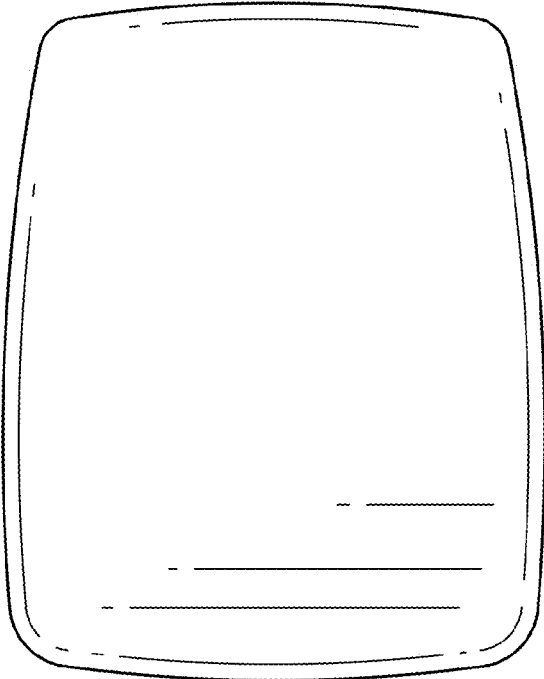


FIG. 6