



US0D1069448S

(12) **United States Design Patent**
Zhou

(10) **Patent No.:** **US D1,069,448 S**

(45) **Date of Patent:** **** Apr. 8, 2025**

(54) **HANGING BAG**

(71) Applicant: **Yiwu Shitanli Industrial Product Design Co., Ltd., Jinhua (CN)**

(72) Inventor: **Yunchao Zhou, Jinhua (CN)**

(73) Assignee: **Yiwu Shitanli Industrial Product Design Co., Ltd., Jinhua (CN)**

(**) Term: **15 Years**

(21) Appl. No.: **29/972,394**

(22) Filed: **Nov. 10, 2024**

(30) **Foreign Application Priority Data**

Sep. 9, 2024 (CN) 202430574591.8

(51) **LOC (15) CL.** **06-04**

(52) **U.S. CL.**
USPC **D6/514**

(58) **Field of Classification Search**
USPC D6/514, 512, 513, 515, 524, 525, 553,
D6/567, 569, 315, 317, 318; D19/90;
D3/303

CPC A47F 5/08; A47F 5/0006; A47F 5/0025;
A45C 9/00; A45C 7/0077; A45C 7/0095;
A45C 3/004; A45C 2003/002

See application file for complete search history.

(56) **References Cited**

U.S. PATENT DOCUMENTS

D104,956	S	*	6/1937	Baker	D6/683.1
D197,950	S	*	4/1964	Eicholtz	D6/513
D322,993	S	*	1/1992	Hobson	D6/683
D335,232	S	*	5/1993	Whitlock	D6/525
D344,180	S	*	2/1994	Garcia	D12/416
D387,384	S	*	12/1997	Meyer	D19/86
D390,268	S	*	2/1998	Stravitz	D19/86
D459,398	S	*	6/2002	Stravitz	D19/86
D475,411	S	*	6/2003	Hardy	D19/90
D502,509	S	*	3/2005	DeCarlo	D19/78

D544,272	S	*	6/2007	Chen	D6/553
D555,736	S	*	11/2007	Decarlo	D19/90
D582,190	S	*	12/2008	Valiulis	D6/567

(Continued)

OTHER PUBLICATIONS

"2 Pack Wall Hanging Storage Bag, Hanging Organizer Bag with Sticky Hook, Wall Organizer for Dormitory Bathroom Bedroom Kitchen (Grey)" (Amazon.com) Mar. 21, 2022. Obtained from the internet URL:<<https://www.amazon.com/SMALL-GOAL-Hangable-Organizer-Dormitory/dp/B09W216GN7/>.

(Continued)

Primary Examiner — Nathan M Johnston

(74) *Attorney, Agent, or Firm* — Hawall Patent Services; Nathaniel K. Fedde; Kenton N. Fedde

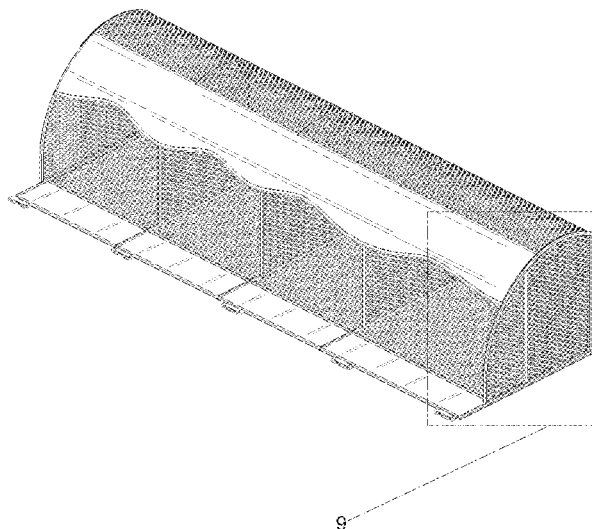
(57) **CLAIM**

The ornamental design for a hanging bag, as shown and described.

DESCRIPTION

FIG. 1 is a perspective view of my new design, showing a hanging bag;
FIG. 2 is another perspective view thereof;
FIG. 3 is a front elevation view thereof;
FIG. 4 is a rear elevation view thereof;
FIG. 5 is a left side elevation view thereof;
FIG. 6 is a right side elevation view thereof;
FIG. 7 is a top plan view thereof;
FIG. 8 is a bottom plan view thereof;
FIG. 9 is an enlarged partial view of a part enclosed 9 in FIG. 1; and,
FIG. 10 is an enlarged partial view of a part enclosed 10 in FIG. 2.
The dash-dot-dash broken lines are for the purpose of depicting the boundary line of the enlarged view and form no part of the claimed design.

1 Claim, 10 Drawing Sheets



(56)

References Cited

U.S. PATENT DOCUMENTS

D589,728	S	*	4/2009	Shaha	D3/304
D594,229	S	*	6/2009	Barkdoll	D3/304
D594,230	S	*	6/2009	Barkdoll	D3/304
D601,837	S	*	10/2009	Evans	D6/553
D607,254	S	*	1/2010	Mak	D6/553
D617,591	S	*	6/2010	Snider	D6/513
D689,944	S	*	9/2013	Hu	D19/90
D814,216	S	*	4/2018	French	D6/675
D822,994	S		7/2018	Currier		
D889,125	S		7/2020	Joyce		
D917,200	S		4/2021	Zeng		
D920,672	S		6/2021	Diorio		
D973,771	S	*	12/2022	Hunt	D19/90
D996,520	S	*	8/2023	Hunt	D19/90
D1,001,888	S	*	10/2023	Seifert	D19/90
D1,015,768	S	*	2/2024	Schittkowski	D6/513
D1,020,289	S		4/2024	Zhang		
D1,021,461	S		4/2024	Guo		
D1,028,558	S		5/2024	Zhong		
D1,038,232	S	*	8/2024	Xu	D19/90

OTHER PUBLICATIONS

“Surblue Bedside Caddy Hanging Bed Organizer Storage Bag Pocket for Bunk and Hospital Beds, College Dorm Rooms Baby Bed Rails, Camp 4 Pockets and 2 Hooks (Small, Gray)” (Amazon.com) May 5, 2020. Obtained from the internet URL: <<https://www.amazon.com/Surblue-Bedside-Hanging-Organizer-Hospital/dp/B087C1VHXT/>>.

“Bedside Storage Organizer 5 Pockets with 4 Hooks Hanging Storage Bag for Headboards/Bunk Bed (Grey)” (Amazon.com) Mar. 18, 2020. Obtained from the internet URL: <<https://www.amazon.com/Frijthchy-Bedside-Storage-Organizer-Headboards/dp/B08621LYFC/>>.

“2pcs Middle Wall Hanging Organizer Bag, Linen Fabric Door Hanging Storage Basket with Pockets, Waterproof Bin for Kitchen, Bedroom, Office, RV Camper (Gray)” (Amazon.com) Sep. 12, 2022. Obtained from the internet URL: <<https://www.amazon.com/Kanrichu-Middle-Hanging-Organizer-Waterproof/dp/B0B6SHZ4CV/>>.

“11.4x8.66 Inch Wall Hanging Storage Bags for Organizing, Wall Hanging Organizer Bags with Pockets, Wall Organizer Storage Wall

Hanging Organizer Basket for Dorm Kitchen Bathroom Bedroom Office, Gray” (Amazon.com) Aug. 27, 2024. Obtained from the internet URL: <<https://www.amazon.com/Hanging-Storage-Organizing-Organizer-Bathroom/dp/B0DCBXQ6KH/>>.

“2pcs Bedside Caddy Storage Organizer, Hanging Bag Holder with Pockets for Bedroom, Loft Bed Tent, Bed Curtain, Top Bunk bed Shelf Accessories (Khaki)” (Amazon.com) Dec. 19, 2023. Obtained from the internet URL: <<https://www.amazon.com/Kanrichu-Bedside-Storage-Organizer-Accessories/dp/B0CN4KQC9F/>>.

“2pcs Bedside Caddy Storage Organizer, Hanging Bag Holder with Pockets for Bedroom, Loft Bed Tent, Bed Curtain, Top Bunk bed Shelf Accessories (Gray)” (Amazon.com) Dec. 19, 2023. Obtained from the internet URL: <<https://www.amazon.com/Kanrichu-Bedside-Storage-Organizer-Accessories/dp/B0CMPF28T2/>>.

“2 Pcs Wall-Hanging Storage Bags, Desktop Organizer Basket Cotton Linen Hanging Storage Basket for Kitchen, Bderoom, Living Room-Plant” (Amazon.com) Aug. 25, 2020. Obtained from the internet URL: <<https://www.amazon.com/Qingsm-Wall-Hanging-Storage-Organizer-Room-Plant/dp/B08GLR9RHP/>>.

“Joyfulife Bedside Caddy Bunk Bed Organizer Bedside Storage Organizer Hanging Bedside Organizer Storage Bag Pocket for Bunk, Hospital Beds, College Dorm Rooms, Baby Bed Rails, Camp 8 Pockets (Black)” (Amazon.com) Nov. 8, 2022. Obtained from the internet URL: <<https://www.amazon.com/Joyfulife-Bedside-Caddy-Organizer-Hospital/dp/B0BLS7PLBZ/>>.

“Lusofie 2Pack Hanging Wall Door Organizer, Waterproof Wall Hanging Storage Caddy Bag with Pockets Linen Cotton Fabric File Magazine Wall Mount Organizer for Bedroom, Kitchen, Bathroom, Office(Beige)” (Amazon.com) Aug. 19, 2024. Obtained from the internet URL: <<https://www.amazon.com/Lusofie-Organizer-Waterproof-Magazine-Bathroom/dp/B0DDKKMB2H/>>.

“Wall Storage Pocket Wall Hanging Organizer Bag Fabric Storage Bag Basket Waterproof Bag Wall Mount Hangable Organizer File Wall Pocket Organizer with Pockets for Bathroom, Kitchen, Bedroom” (Amazon.com) Aug. 23, 2024. Obtained from the internet URL: <<https://www.amazon.com/salbsever-Organizer-Waterproof-Hangable-Bathroom/dp/B0DB2BC1Q8/>>.

“Hakacc Bedside Organizer, Bedside Storage, Bedside Caddy, Bed Organizer Hanging Pocket, Remote Holder for Bed Accessories” (Amazon.com) Aug. 30, 2015. Obtained from the internet URL: <<https://www.amazon.com/HAKACC-Bedside-Storage-Organizer-Cabinet/dp/B014N7XRVE/>>.

* cited by examiner

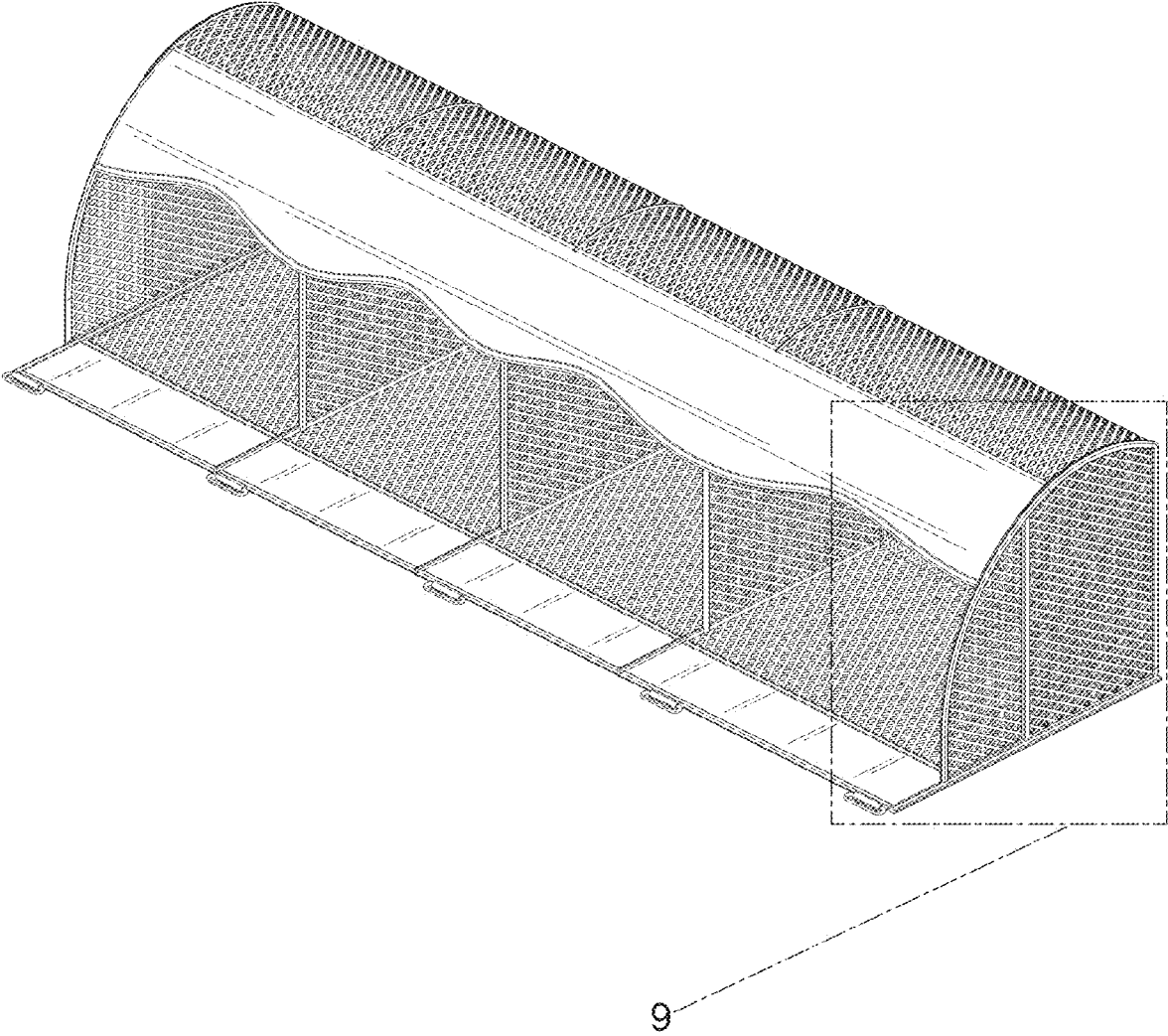


FIG. 1

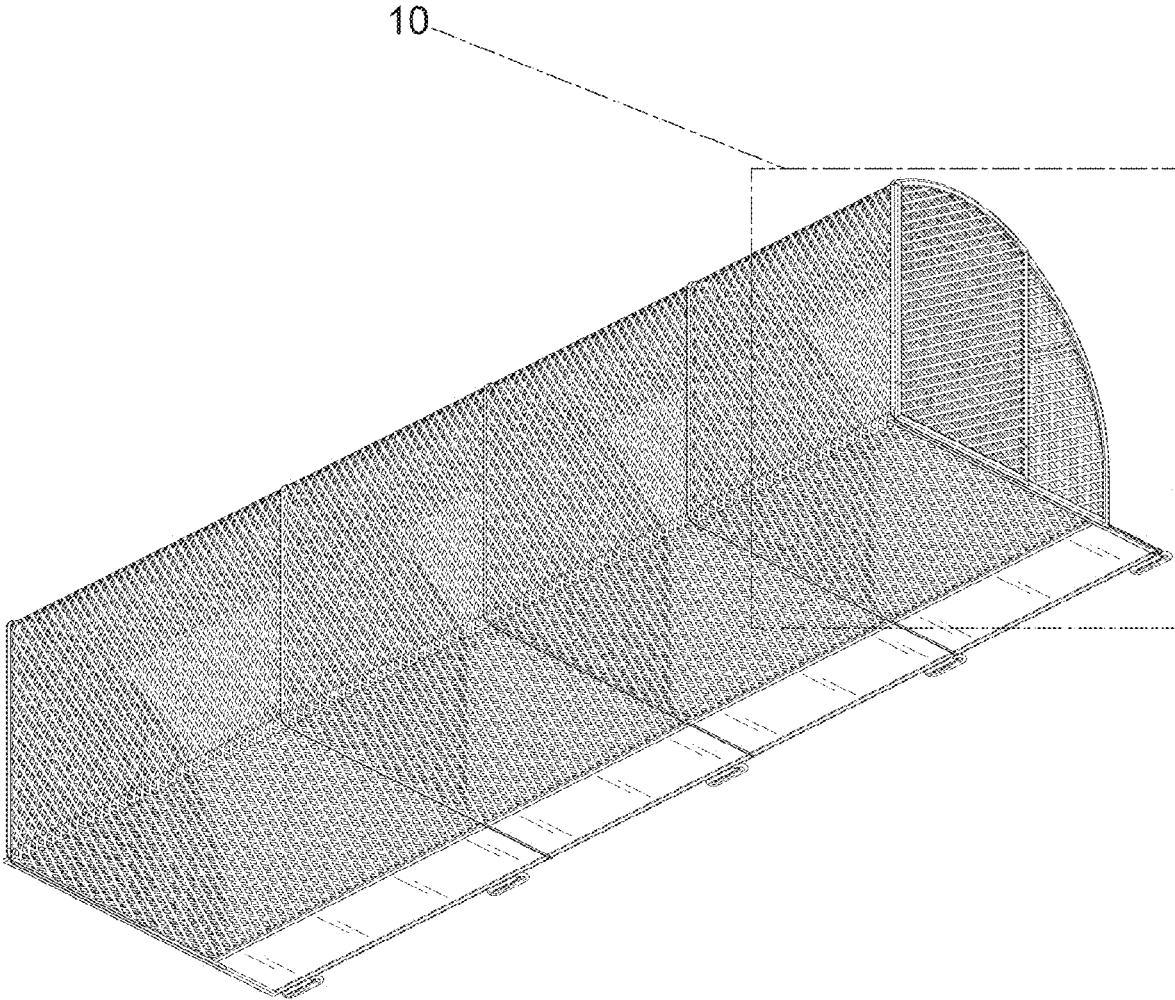


FIG. 2

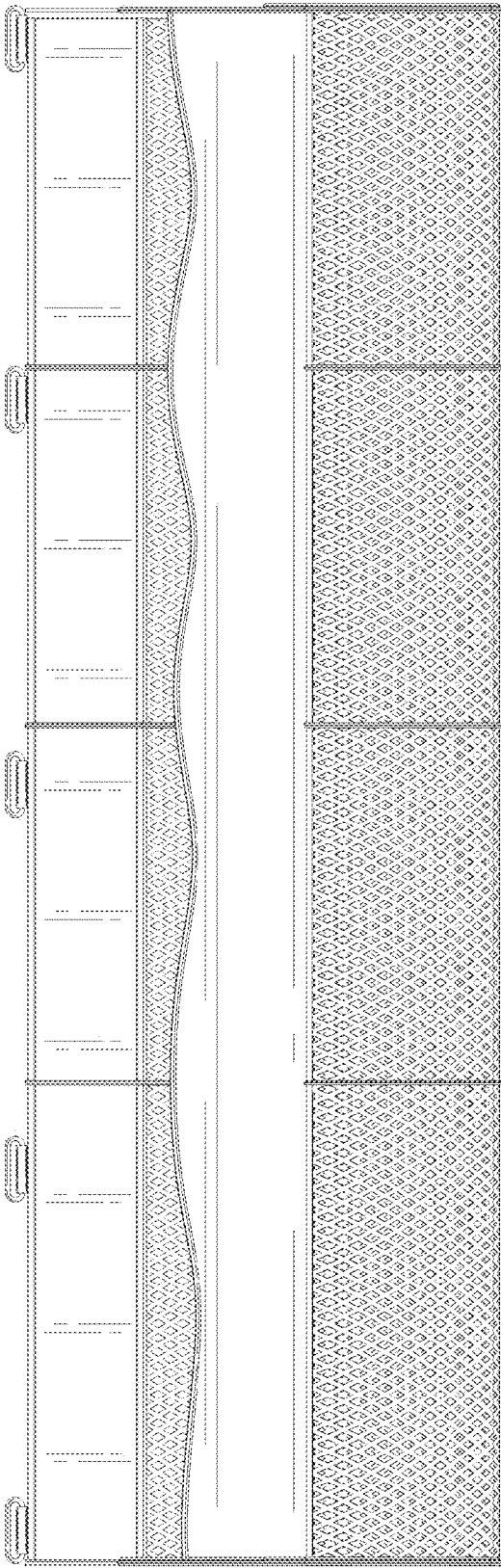


FIG. 3

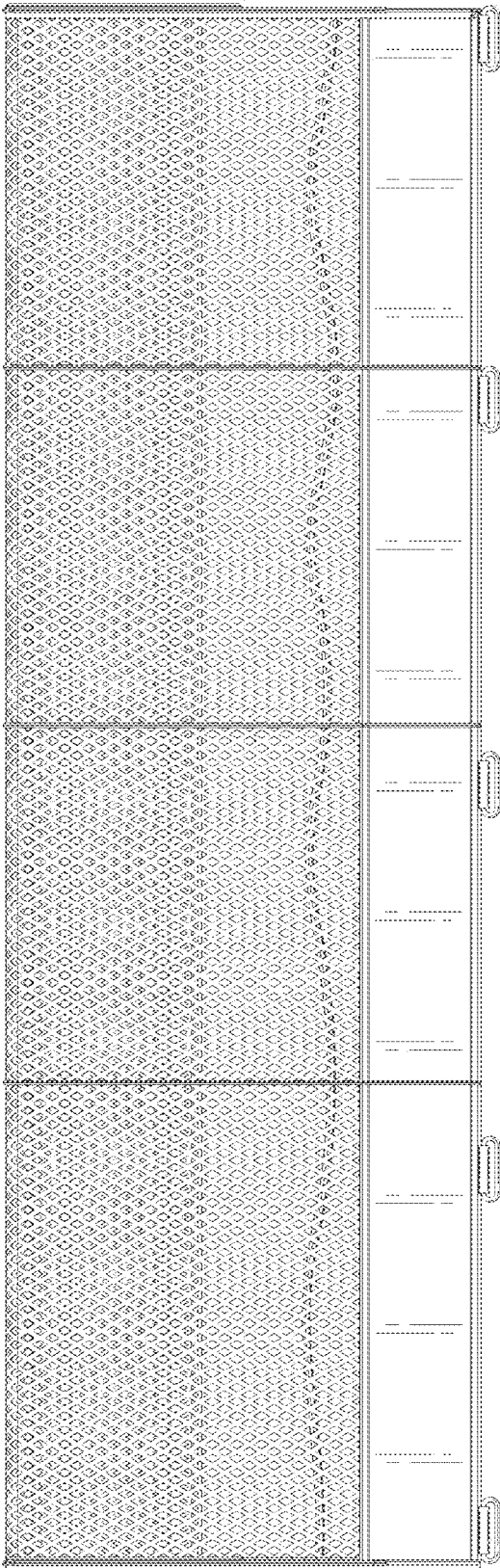


FIG. 4

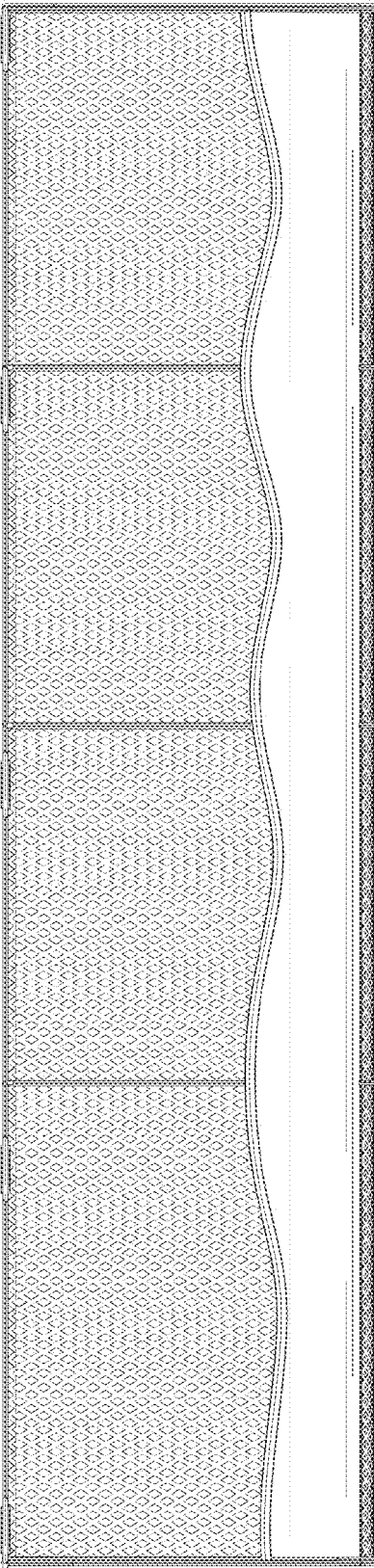


FIG. 5

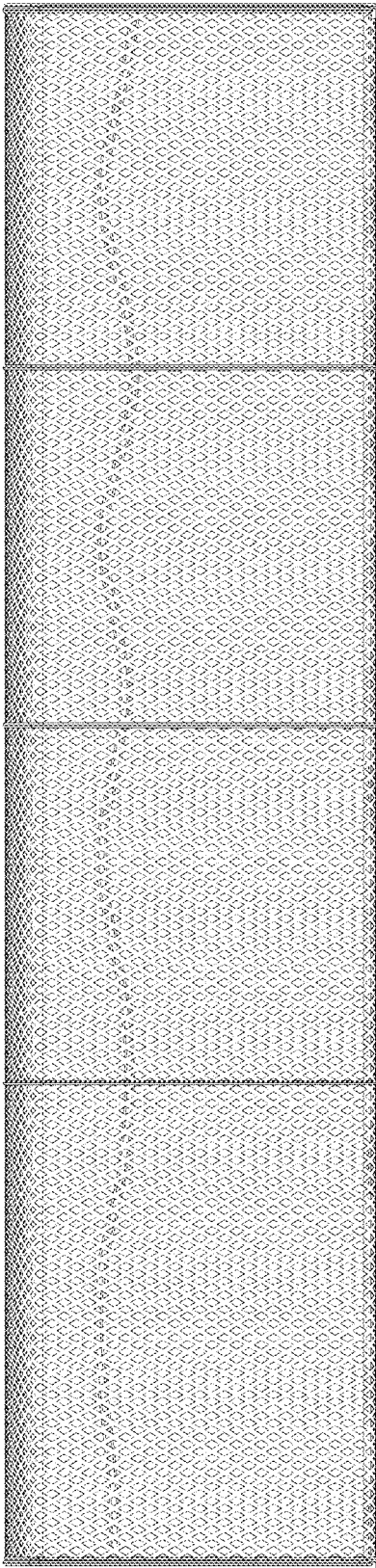


FIG. 6

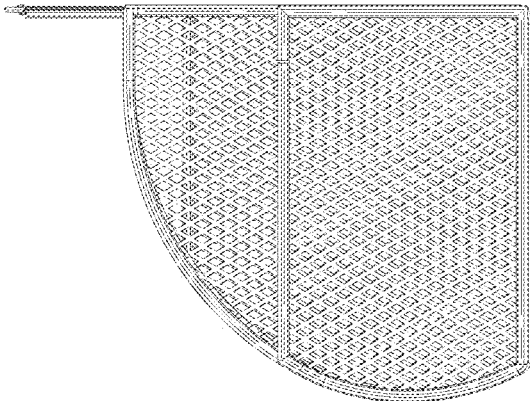


FIG. 7

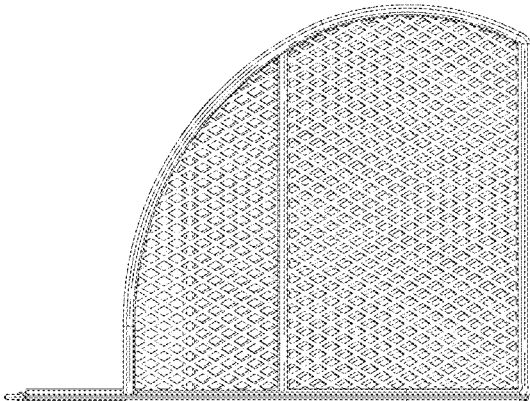


FIG. 8

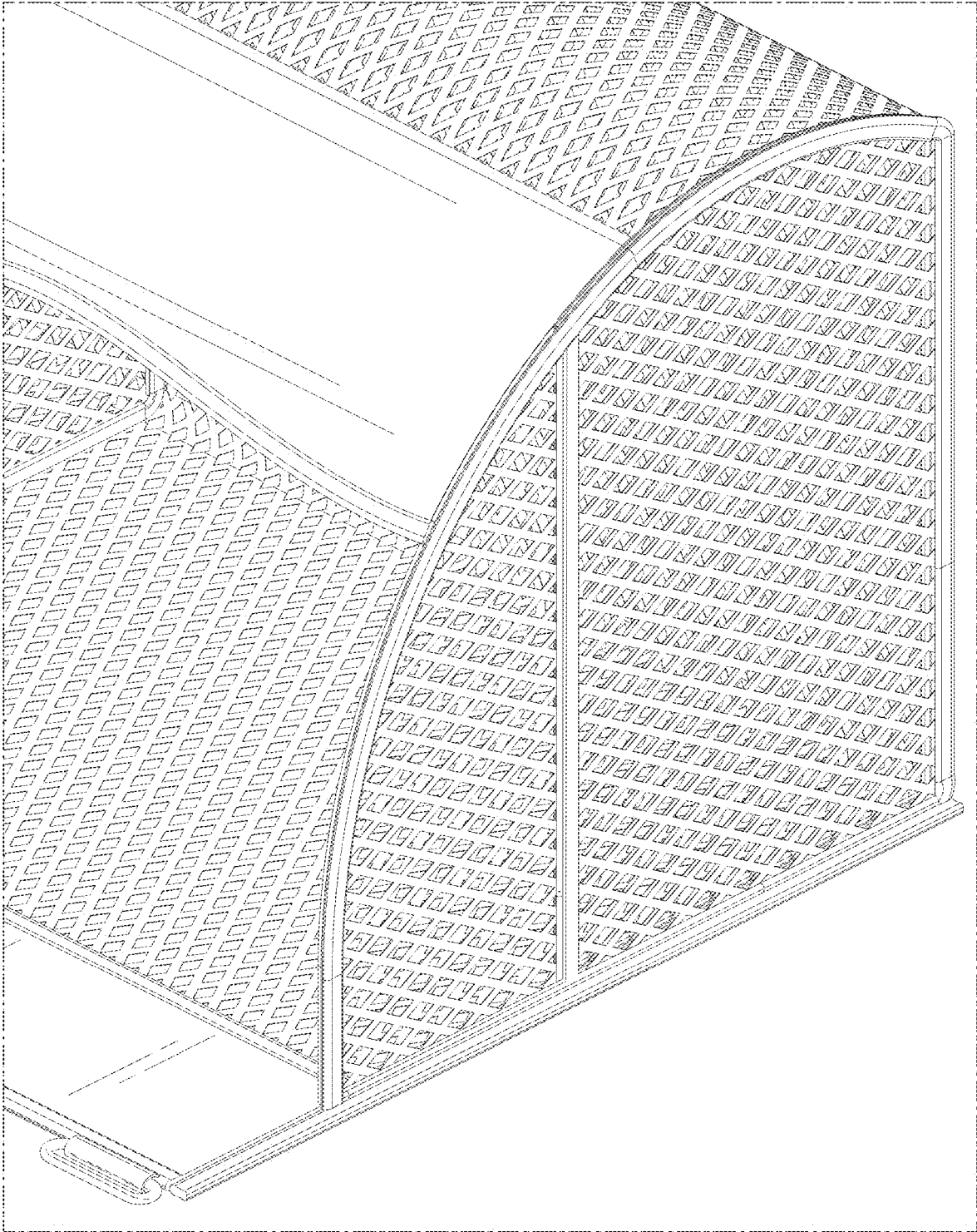


FIG. 9

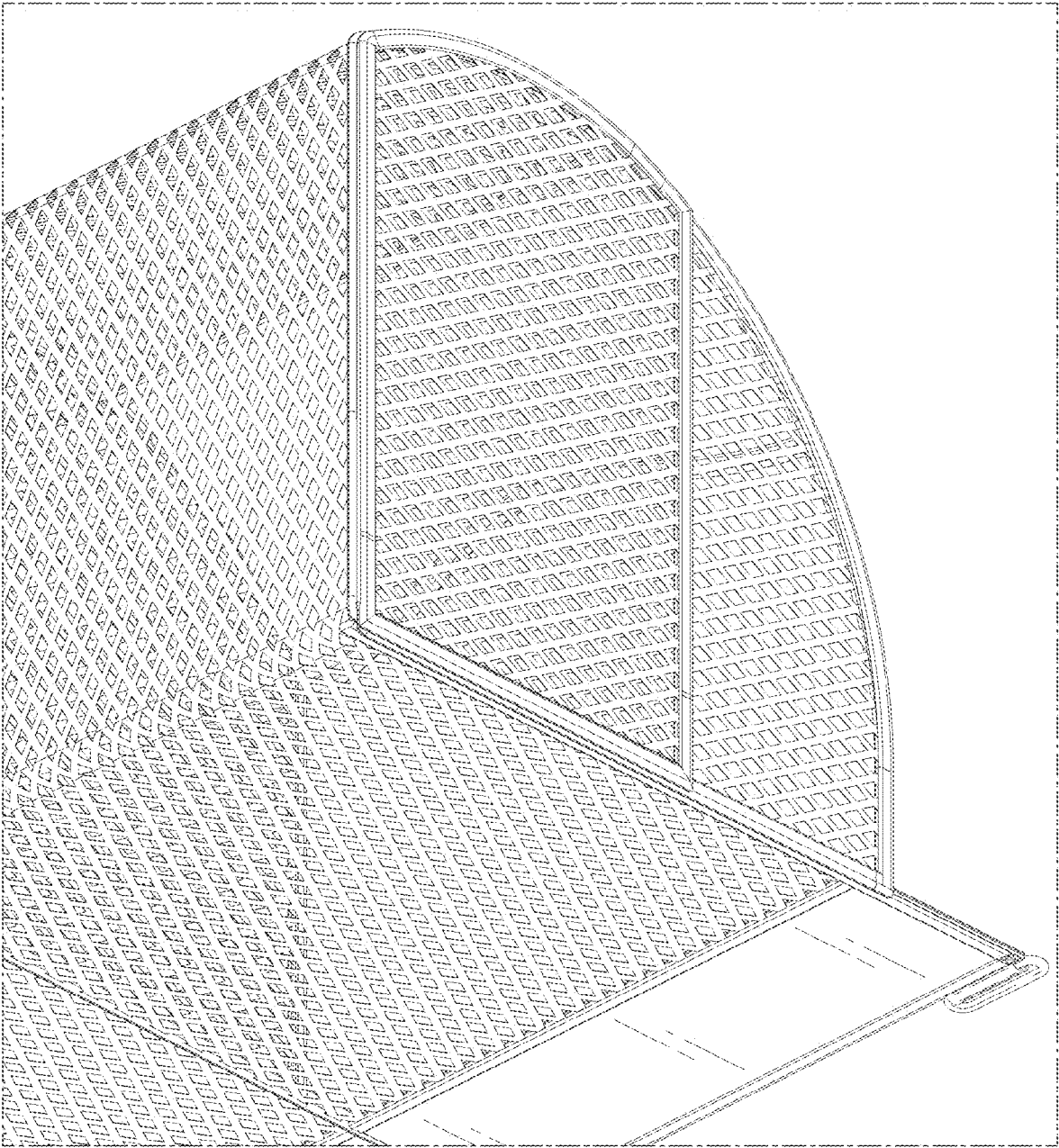


FIG. 10