



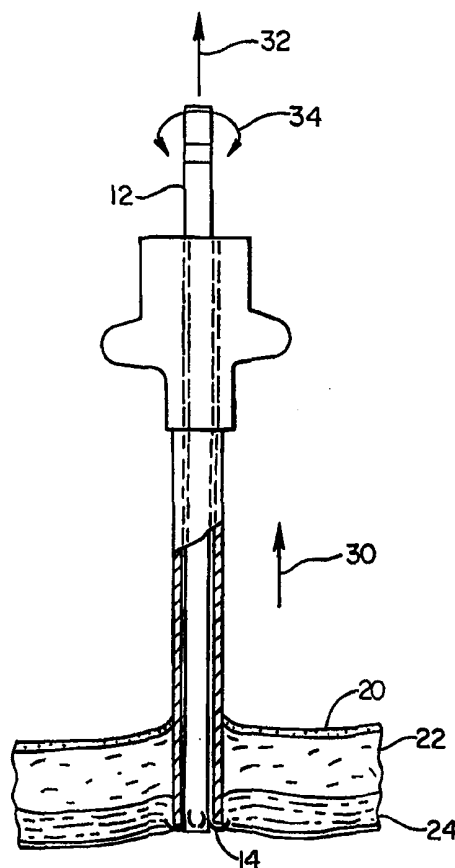
INTERNATIONAL APPLICATION PUBLISHED UNDER THE PATENT COOPERATION TREATY (PCT)

<p>(51) International Patent Classification⁶ : A61B 17/00, 17/39</p>	<p>A3</p>	<p>(11) International Publication Number: WO 99/13779</p> <p>(43) International Publication Date: 25 March 1999 (25.03.99)</p>
<p>(21) International Application Number: PCT/US98/19682</p> <p>(22) International Filing Date: 18 September 1998 (18.09.98)</p> <p>(30) Priority Data: 932,990 18 September 1997 (18.09.97) US</p> <p>(71) Applicant: SCIMED LIFE SYSTEMS, INC. [US/US]; One SciMed Place, Maple Grove, MN 55311-1566 (US).</p> <p>(72) Inventors: LAFONTAINE, Daniel, M.; 11400 5th Avenue North, Plymouth, MN 55441 (US). HARRISON, Kent, D.; 15407 Elm Road North, Maple Grove, MN 55311 (US).</p> <p>(74) Agents: SEAGER, Glenn, M. et al.; Crompton, Seager & Tufte, LLC, Suite 895, 331 Second Avenue South, Minneapolis, MN 55401-2246 (US).</p>	<p>(81) Designated States: CA, JP, European patent (AT, BE, CH, CY, DE, DK, ES, FI, FR, GB, GR, IE, IT, LU, MC, NL, PT, SE).</p> <p>Published <i>With international search report. Before the expiration of the time limit for amending the claims and to be republished in the event of the receipt of amendments.</i></p> <p>(88) Date of publication of the international search report: 6 May 1999 (06.05.99)</p>	

(54) Title: WOUND CLOSURE DEVICE AND METHOD

(57) Abstract

An apparatus and method are provided for closing a perforation in a wall of a patient's blood vessel or other organs. The apparatus includes an elongated support member having a distal end supporting one or more tissue engaging hooks configured to engage fibrous vessel tissue when moved in a first direction and to disengage the tissue when moved in a second direction, and a proximal end for applying rotational torque to the support member to cause the hooks to engage collagen fibrous tissue in the adventitia of the blood vessel or fibrous tissue in other body organs. The hooks engaging the collagen fiber causes the blood vessel tissue surrounding the perforation to be drawn into close proximity such that the perforation can be closed. The apparatus is deployed in an outer sheath with the hooks encased until a selected engaging location has been achieved. Puncture closure can be accomplished by various techniques, including stasis, cauterizing, or by clamping.



FOR THE PURPOSES OF INFORMATION ONLY

Codes used to identify States party to the PCT on the front pages of pamphlets publishing international applications under the PCT.

AL	Albania	ES	Spain	LS	Lesotho	SI	Slovenia
AM	Armenia	FI	Finland	LT	Lithuania	SK	Slovakia
AT	Austria	FR	France	LU	Luxembourg	SN	Senegal
AU	Australia	GA	Gabon	LV	Latvia	SZ	Swaziland
AZ	Azerbaijan	GB	United Kingdom	MC	Monaco	TD	Chad
BA	Bosnia and Herzegovina	GE	Georgia	MD	Republic of Moldova	TG	Togo
BB	Barbados	GH	Ghana	MG	Madagascar	TJ	Tajikistan
BE	Belgium	GN	Guinea	MK	The former Yugoslav Republic of Macedonia	TM	Turkmenistan
BF	Burkina Faso	GR	Greece			TR	Turkey
BG	Bulgaria	HU	Hungary	ML	Mali	TT	Trinidad and Tobago
BJ	Benin	IE	Ireland	MN	Mongolia	UA	Ukraine
BR	Brazil	IL	Israel	MR	Mauritania	UG	Uganda
BY	Belarus	IS	Iceland	MW	Malawi	US	United States of America
CA	Canada	IT	Italy	MX	Mexico	UZ	Uzbekistan
CF	Central African Republic	JP	Japan	NE	Niger	VN	Viet Nam
CG	Congo	KE	Kenya	NL	Netherlands	YU	Yugoslavia
CH	Switzerland	KG	Kyrgyzstan	NO	Norway	ZW	Zimbabwe
CI	Côte d'Ivoire	KP	Democratic People's Republic of Korea	NZ	New Zealand		
CM	Cameroon		Republic of Korea	PL	Poland		
CN	China	KR	Republic of Korea	PT	Portugal		
CU	Cuba	KZ	Kazakstan	RO	Romania		
CZ	Czech Republic	LC	Saint Lucia	RU	Russian Federation		
DE	Germany	LI	Liechtenstein	SD	Sudan		
DK	Denmark	LK	Sri Lanka	SE	Sweden		
EE	Estonia	LR	Liberia	SG	Singapore		

INTERNATIONAL SEARCH REPORT

International Application No
PCT/US 98/19682

A. CLASSIFICATION OF SUBJECT MATTER
IPC 6 A61B17/00 A61B17/39

According to International Patent Classification (IPC) or to both national classification and IPC

B. FIELDS SEARCHED

Minimum documentation searched (classification system followed by classification symbols)
IPC 6 A61B

Documentation searched other than minimum documentation to the extent that such documents are included in the fields searched

Electronic data base consulted during the international search (name of data base and, where practical, search terms used)

C. DOCUMENTS CONSIDERED TO BE RELEVANT

Category °	Citation of document, with indication, where appropriate, of the relevant passages	Relevant to claim No.
X	WO 97 07741 A (YOON) 6 March 1997	1,2,5,6, 40-45, 48-53, 55,56
Y	see abstract; figures 1,3,6-10	3,4,46, 47,54
X	---	
X	US 5 176 692 A (WILK) 5 January 1993 see column 4, line 17-29; figures 3,4	1,2,5
Y	---	
Y	WO 95 26683 A (BOSTON SCIENTIFIC) 12 October 1995 see abstract; figure 2	3,4
X	---	
A	US 5 342 393 A (STACK) 30 August 1994 see column 4, paragraph 3	1,40 46,47,54

	-/--	

Further documents are listed in the continuation of box C. Patent family members are listed in annex.

° Special categories of cited documents :

<p>*A* document defining the general state of the art which is not considered to be of particular relevance</p> <p>*E* earlier document but published on or after the international filing date</p> <p>*L* document which may throw doubts on priority claim(s) or which is cited to establish the publication date of another citation or other special reason (as specified)</p> <p>*O* document referring to an oral disclosure, use, exhibition or other means</p> <p>*P* document published prior to the international filing date but later than the priority date claimed</p>	<p>*T* later document published after the international filing date or priority date and not in conflict with the application but cited to understand the principle or theory underlying the invention</p> <p>*X* document of particular relevance; the claimed invention cannot be considered novel or cannot be considered to involve an inventive step when the document is taken alone</p> <p>*Y* document of particular relevance; the claimed invention cannot be considered to involve an inventive step when the document is combined with one or more other such documents, such combination being obvious to a person skilled in the art.</p> <p>*Z* document member of the same patent family</p>
--	--

Date of the actual completion of the international search	Date of mailing of the international search report
8 December 1998	11.03.99

Name and mailing address of the ISA European Patent Office, P.B. 5818 Patentlaan 2 NL - 2280 HV Rijswijk Tel. (+31-70) 340-2040, Tx. 31 651 epo nl, Fax: (+31-70) 340-3016	Authorized officer BARTON, S
--	-------------------------------------

INTERNATIONAL SEARCH REPORT

Intern. Appl. No. PCT/US 98/19682

C.(Continuation) DOCUMENTS CONSIDERED TO BE RELEVANT		
Category °	Citation of document, with indication, where appropriate, of the relevant passages	Relevant to claim No.
Y,P	DE 196 10 333 A (MAUSBACH) 18 September 1997 see abstract; figures 3,4 -----	46,47,54
A	FR 2 546 069 A (CNRS) 23 November 1984 see abstract; figures 1-4 -----	46,47,54

INTERNATIONAL SEARCH REPORT

International application No.
PCT/US 98/19682

Box I Observations where certain claims were found unsearchable (Continuation of item 1 of first sheet)

This International Search Report has not been established in respect of certain claims under Article 17(2)(a) for the following reasons:

1. Claims Nos.: 9-13
because they relate to subject matter not required to be searched by this Authority, namely:
Rule 39.1(iv) PCT - Method for treatment of the human or animal body by surgery
2. Claims Nos.:
because they relate to parts of the International Application that do not comply with the prescribed requirements to such an extent that no meaningful International Search can be carried out, specifically:
3. Claims Nos.:
because they are dependent claims and are not drafted in accordance with the second and third sentences of Rule 6.4(a).

Box II Observations where unity of invention is lacking (Continuation of item 2 of first sheet)

This International Searching Authority found multiple inventions in this international application, as follows:

see additional sheet

1. As all required additional search fees were timely paid by the applicant, this International Search Report covers all searchable claims.
2. As all searchable claims could be searched without effort justifying an additional fee, this Authority did not invite payment of any additional fee.
3. As only some of the required additional search fees were timely paid by the applicant, this International Search Report covers only those claims for which fees were paid, specifically claims Nos.:
4. No required additional search fees were timely paid by the applicant. Consequently, this International Search Report is restricted to the invention first mentioned in the claims; it is covered by claims Nos.:
1-6, 40-56

Remark on Protest

- The additional search fees were accompanied by the applicant's protest.
- No protest accompanied the payment of additional search fees.

FURTHER INFORMATION CONTINUED FROM PCT/ISA/ 210

1. Claims: 1-6,40-56

Closing device allowing manipulation for closure of puncture, in particular with (blood flow) locator or dissolvable connection.

2. Claims: 1,7,8,31-39,57,58

Closing device with heating element for cautery for sealing puncture

3. Claims: 14-30

Closing device with tissue engaging hooks on the outer surface of support member

4. Claims: 59-64

Closing device with elastic ring and hook and pile structure for closing puncture

INTERNATIONAL SEARCH REPORT

Information on patent family members

International Application No
PCT/US 98/19682

Patent document cited in search report	Publication date	Patent family member(s)	Publication date
WO 9707741 A	06-03-1997	US 5478353 A	26-12-1995
		US 5100418 A	31-03-1992
		AU 3410095 A	19-03-1997
		EP 0504312 A	23-09-1992
		EP 0701796 A	20-03-1996
		US 5437680 A	01-08-1995
		US 5542949 A	06-08-1996
		US 5480405 A	02-01-1992
		US 5366459 A	22-11-1994
		US 5445167 A	29-08-1995
		AT 164053 T	15-04-1998
		DE 69032165 D	23-04-1998
		DE 69032165 T	06-08-1998
		EP 0701797 A	20-03-1996
		ES 2112858 T	16-04-1998
WO 9108708 A	27-06-1991		

US 5176692 A	05-01-1993	AU 3243893 A	19-07-1993
		WO 9311824 A	24-06-1993

WO 9526683 A	12-10-1995	US 5643318 A	01-07-1997

US 5342393 A	30-08-1994	NONE	

DE 19610333 A	18-09-1997	NONE	

FR 2546069 A	23-11-1984	NONE	
