



US00D690668S

(12) **United States Design Patent**
Jacoby et al.

(10) **Patent No.:** **US D690,668 S**

(45) **Date of Patent:** **** Oct. 1, 2013**

(54) **BUTTON HAVING A NIGHTLIGHT**

(71) Applicant: **Lutron Electronics Co., Inc.**,
Coopersburg, PA (US)

(72) Inventors: **Elliot G. Jacoby**, Glenside, PA (US);
Joel S. Spira, Coopersburg, PA (US)

(73) Assignee: **Lutron Electronics Co., Inc.**,
Coopersburg, PA (US)

(**) Term: **14 Years**

(21) Appl. No.: **29/438,185**

(22) Filed: **Nov. 27, 2012**

(51) **LOC (9) Cl.** **13-03**

(52) **U.S. Cl.**
USPC **D13/174**

(58) **Field of Classification Search**
USPC D13/162, 164, 171, 174; D11/108;
D26/26, 31; D14/218, 247; 200/5 R, 5 A,
200/518, 520, 530, 302.2, 314, 315, 341,
200/344; 338/198–200; 362/23.01, 23.02,
362/23.05, 641, 644, 653; 315/291–296
See application file for complete search history.

(56) **References Cited**

U.S. PATENT DOCUMENTS

237,455	A	*	2/1881	Swan	200/535
1,079,271	A	*	11/1913	Smedley	200/535
2,415,297	A	*	2/1947	Linton	200/457
3,267,926	A	*	8/1966	Prince	200/314
4,858,079	A	*	8/1989	Ohashi	362/35
5,568,367	A	*	10/1996	Park	362/109
D415,707	S	*	10/1999	Gallagher et al.	D10/108
5,993,019	A	*	11/1999	Kline et al.	362/29
D468,034	S	*	12/2002	Yu	D26/26
6,498,311	B1	*	12/2002	Stewart et al.	200/313
D494,064	S	*	8/2004	Hook	D9/445
D509,737	S	*	9/2005	Hierzer et al.	D9/447
D518,713	S	*	4/2006	Hierzer et al.	D9/447

D531,295	S	*	10/2006	Seelig et al.	D23/366
D531,586	S	*	11/2006	Poulet	
7,183,511	B2	*	2/2007	Ikeda et al.	200/314
D584,245	S	*	1/2009	Ohlert et al.	D13/174
D587,215	S	*	2/2009	Ohlert et al.	D13/174

(Continued)

OTHER PUBLICATIONS

Hewlett-Packard Development Company, L.R, HP Customer Case Study: DreamWorks speeds film production with HP Halo Collaboration Studio, 2007, 4 pages.

Primary Examiner — Selina Sikder

(74) *Attorney, Agent, or Firm* — Mark E. Rose; Philip N. Smith; Bridget L. McDonough

(57) **CLAIM**

We claim the ornamental design for a button having a nightlight, as shown and described.

DESCRIPTION

FIG. 1 is a perspective view of a button having a nightlight according to a first embodiment of our new design.

FIG. 2 is a front view thereof.

FIG. 3 is a left side view thereof.

FIG. 4 is a right side view thereof.

FIG. 5 is a top view thereof.

FIG. 6 is a bottom view thereof.

FIG. 7 is a perspective view of a button having a nightlight according to a second embodiment of our new design.

FIG. 8 is a front view thereof.

FIG. 9 is a left side view thereof.

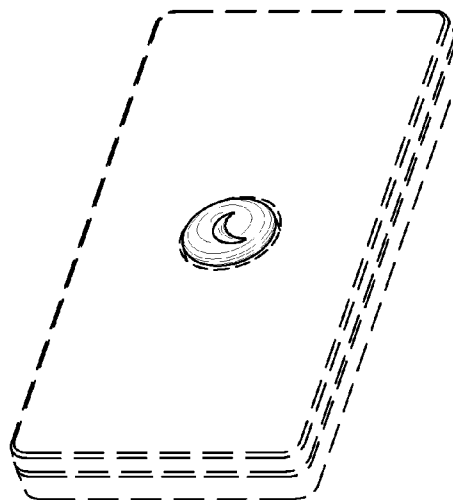
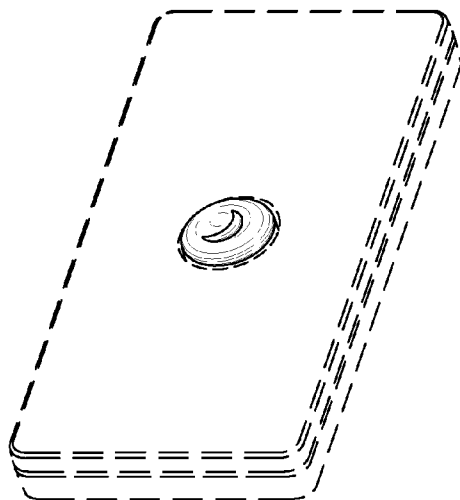
FIG. 10 is a right side view thereof.

FIG. 11 is a top view thereof; and,

FIG. 12 is a bottom view thereof.

The rear views form no part of the design and are omitted. The portions of the drawings appearing in broken line are for environment only and do not form a part of the claimed design.

1 Claim, 8 Drawing Sheets



US D690,668 S

Page 2

(56)

References Cited

U.S. PATENT DOCUMENTS

D596,143 S 7/2009 Felegy, Jr. et al.
7,576,292 B2 * 8/2009 Birdwell et al. 200/310
D614,589 S * 4/2010 Altonen et al. D13/174
7,832,917 B2 * 11/2010 Chien 362/641

D649,125 S * 11/2011 Clymer et al. D13/174
8,128,274 B2 * 3/2012 Chien 362/641
D661,001 S * 5/2012 Welch D26/26
D661,002 S * 5/2012 Welch D26/26
D661,664 S 6/2012 Felegy, Jr. et al.
2009/0175033 A1 * 7/2009 Chien 362/183

* cited by examiner

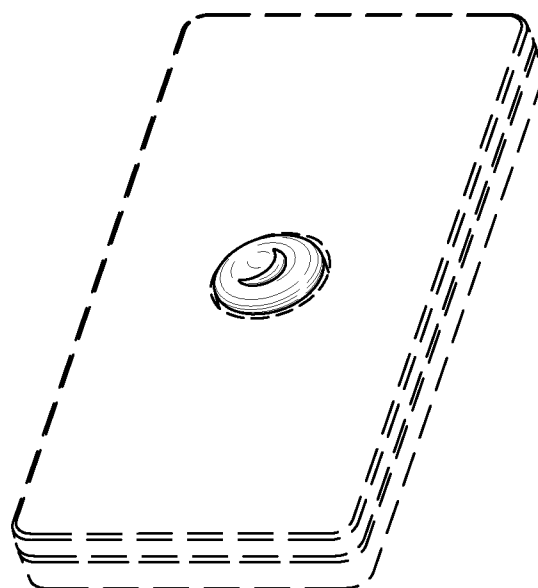


Fig. 1

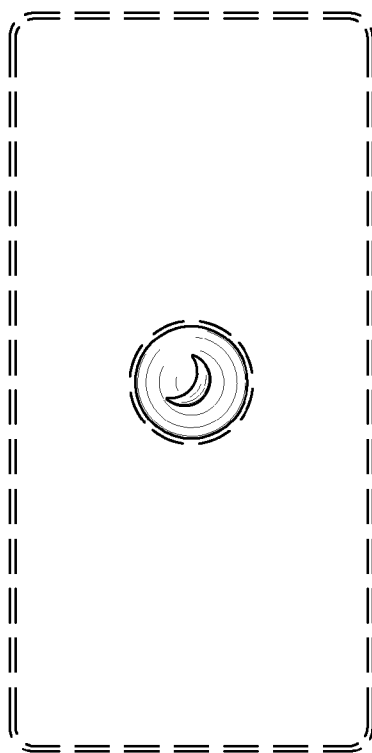


Fig. 2



Fig. 3



Fig. 4



Fig. 5



Fig. 6

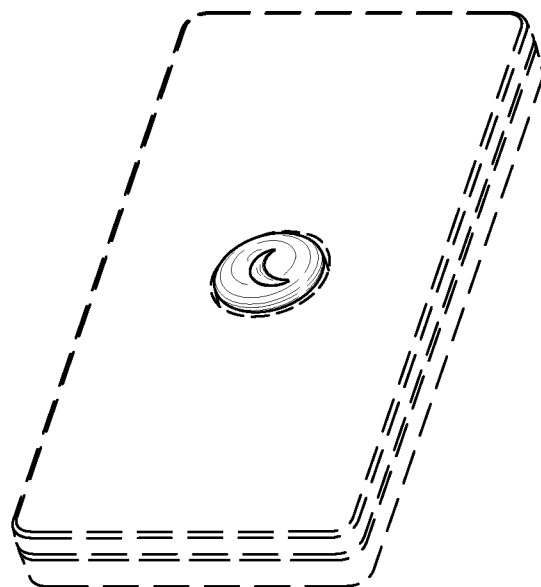


Fig. 7

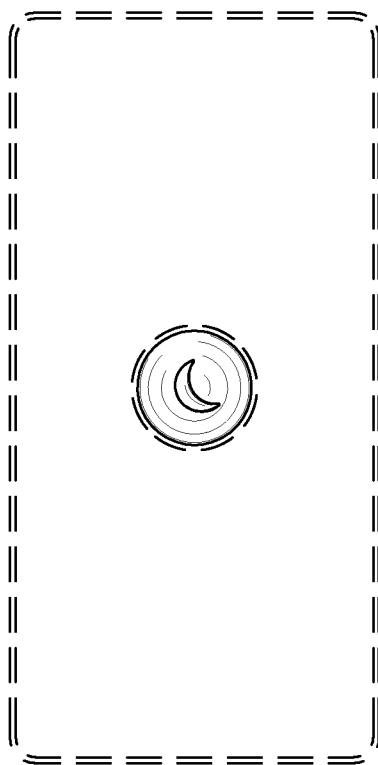


Fig. 8



Fig. 9



Fig. 10

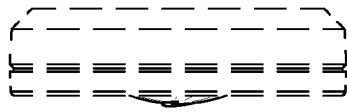


Fig. 11



Fig. 12