



US00D720804S

(12) **United States Design Patent**  
**Van Den Broecke**

(10) **Patent No.:** **US D720,804 S**  
(45) **Date of Patent:** **\*\* Jan. 6, 2015**

(54) **CASSETTE**

(71) Applicant: **DYMO**, Sint-Niklaas (BE)

(72) Inventor: **Stefaan Van Den Broecke**, Ghent (BE)

(73) Assignee: **DYMO**, Sint-Niklaas (BE)

(\*\*) Term: **14 Years**

(21) Appl. No.: **29/453,381**

(22) Filed: **Apr. 29, 2013**

6,341,906 B2 1/2002 Kobayashi  
6,367,995 B1 4/2002 Hashimoto  
8,469,615 B2\* 6/2013 Van Britsom et al. .... 400/613

\* cited by examiner

*Primary Examiner* — Cathy A MacCormac

(74) *Attorney, Agent, or Firm* — Marshall, Gerstein & Borun LLP

(57) **CLAIM**

The ornamental design for a cassette, as shown and described.

**DESCRIPTION**

FIG. 1 is a front, bottom and right side perspective view showing my new design for a cassette;

FIG. 2 is a rear, bottom and right side perspective view of the cassette of FIG. 1;

FIG. 3 is a front view of the cassette of FIG. 1;

FIG. 4 is a rear view of the cassette of FIG. 1;

FIG. 5 is a left side view of the cassette of FIG. 1;

FIG. 6 is a bottom plan view of the cassette of FIG. 1;

FIG. 7 is a top plan view of the cassette of FIG. 1;

FIG. 8 is a front, bottom and right side perspective view showing a second embodiment of my new design for a cassette;

FIG. 9 is a rear, bottom and left side perspective view of the cassette of FIG. 8;

FIG. 10 is a front view of the cassette of FIG. 8;

FIG. 11 is a rear view of the cassette of FIG. 8;

FIG. 12 is a left side view of the cassette of FIG. 8;

FIG. 13 is a bottom plan view of the cassette of FIG. 8; and, FIG. 14 is a top plan view of the cassette of FIG. 8.

The broken lines showing portions of the cassette are included for the purpose of illustrating environment and form no part of the claimed design.

**Related U.S. Application Data**

(62) Division of application No. 29/377,899, filed on Oct. 27, 2010, now Pat. No. Des. 681,727.

(30) **Foreign Application Priority Data**

Apr. 28, 2010 (EM) ..... 001212104

(51) **LOC (10) Cl.** ..... **18-02**

(52) **U.S. Cl.**

USPC ..... **D18/56**

(58) **Field of Classification Search**

USPC ..... D18/12, 43, 56; 360/132, 134;  
400/194–195, 207–208, 208.1, 234,  
400/235.1, 247; D14/484

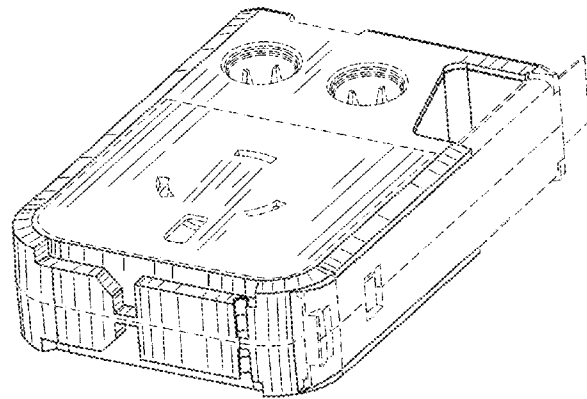
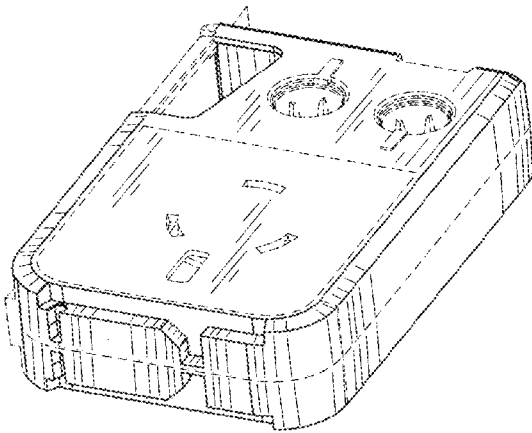
See application file for complete search history.

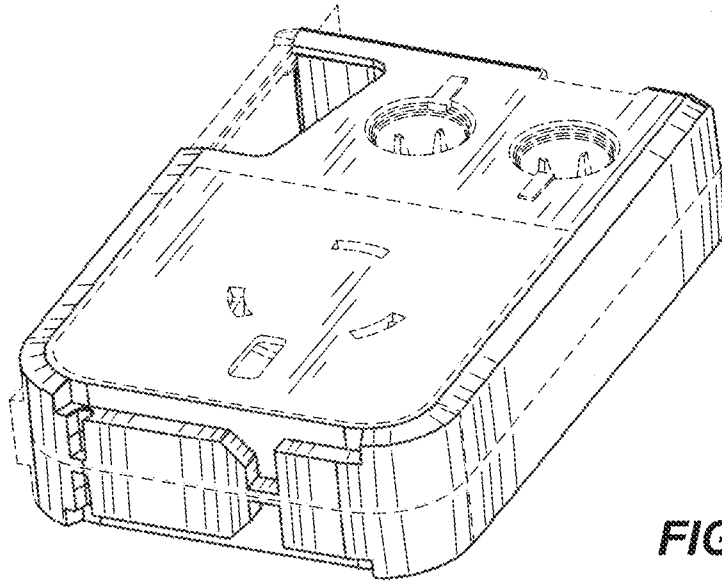
(56) **References Cited**

**U.S. PATENT DOCUMENTS**

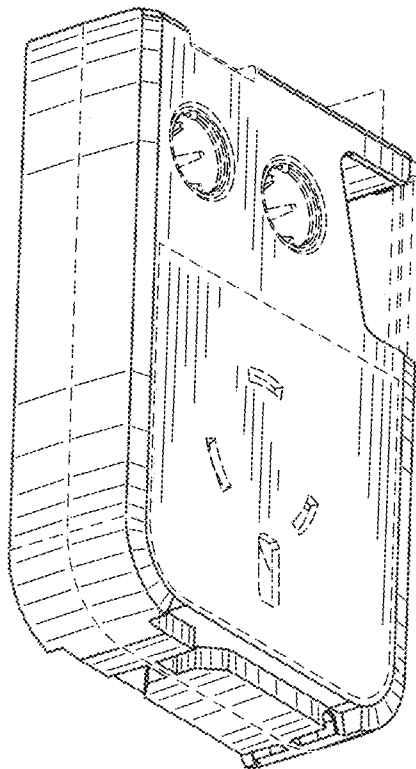
5,674,017 A 10/1997 Kitazawa  
D423,566 S 4/2000 Hosono  
D435,589 S 12/2000 Huss

**1 Claim, 4 Drawing Sheets**

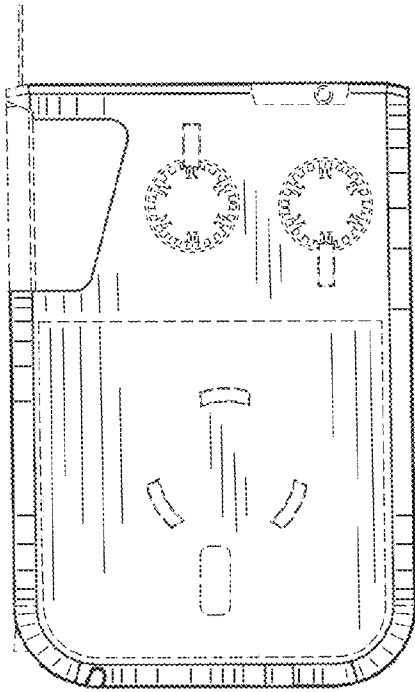




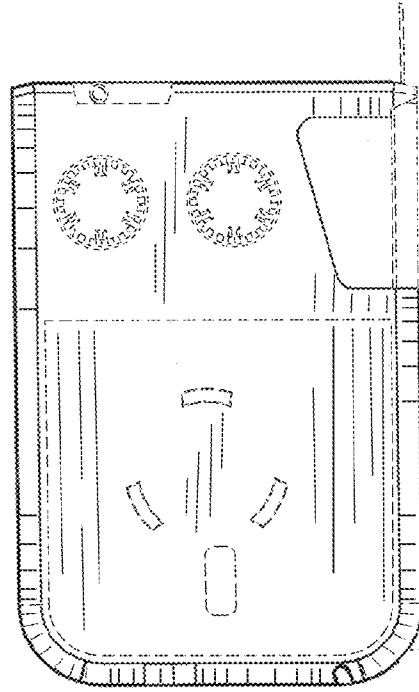
**FIG. 1**



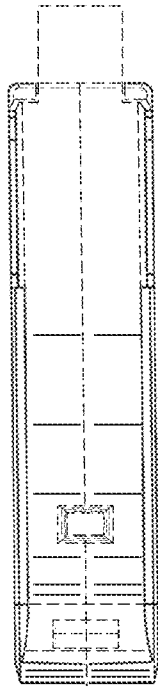
**FIG. 2**



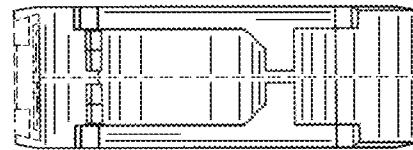
**FIG. 3**



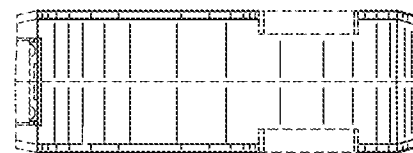
**FIG. 4**



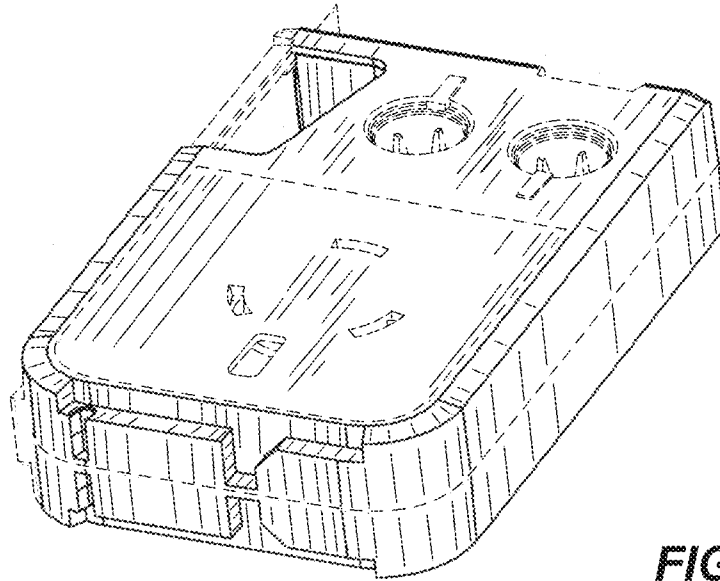
**FIG. 5**



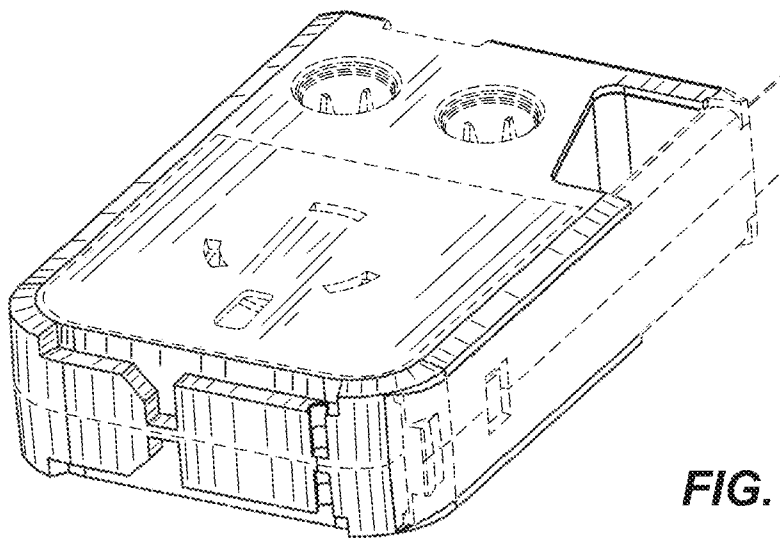
**FIG. 6**



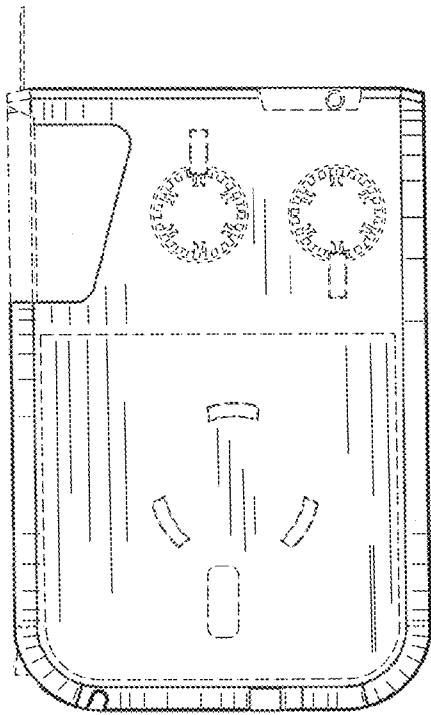
**FIG. 7**



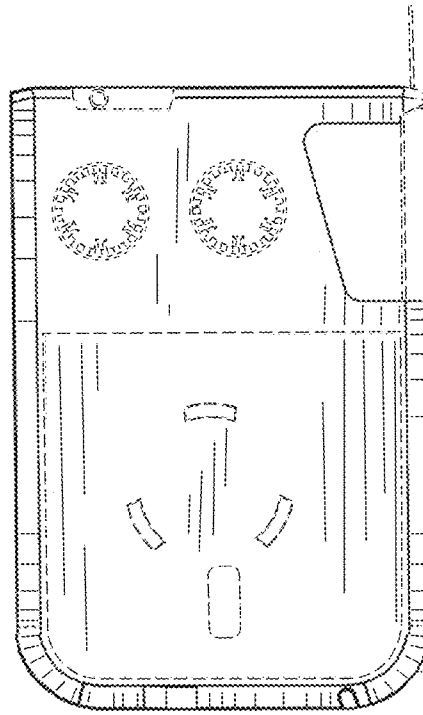
**FIG. 8**



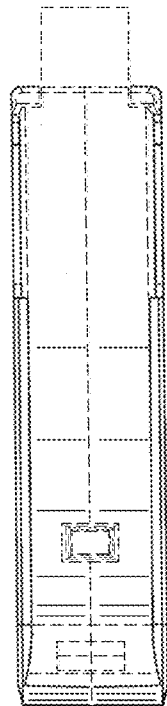
**FIG. 9**



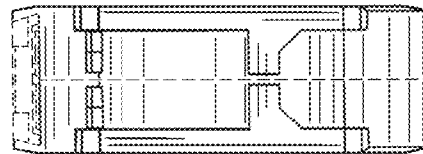
**FIG. 10**



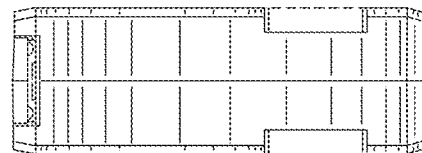
**FIG. 11**



**FIG. 12**



**FIG. 13**



**FIG. 14**