



(51) **International Patent Classification:**
G06F 11/20 (2006.01) *G06F 11/14* (2006.01)
G06F 16/27 (2019.01) *H04L 29/08* (2006.01)

(21) **International Application Number:**
PCT/US2020/062090

(22) **International Filing Date:**
24 November 2020 (24.11.2020)

(25) **Filing Language:** English

(26) **Publication Language:** English

(30) **Priority Data:**
16/698,840 27 November 2019 (27.11.2019) US

(63) **Related by continuation (CON) or continuation-in-part (CIP) to earlier application:**

US 16/698,840 (CON)
Filed on 27 November 2019 (27.11.2019)

(71) **Applicant:** **AMAZON TECHNOLOGIES, INC.**
[US/US]; PO Box 81226, Seattle, Washington 98108-1226 (US).

(72) **Inventors:** **DYE, Nathan**; c/o Amazon Technologies, Inc., 410 Terry Avenue North, Seattle, Washington 98109-5210 (US). **JONES, Harvo Reyzell**; c/o Amazon Technologies, Inc., 410 Terry Avenue North, Seattle, Washington 98109-5210 (US).

(74) **Agent:** **URIBE, Mauricio A.**; Knobbe Martens Olson & Bear LLP, 2040 Main Street, Fourteenth Floor, Irvine, California 92614 (US).

(81) **Designated States** (*unless otherwise indicated, for every kind of national protection available*): AE, AG, AL, AM, AO, AT, AU, AZ, BA, BB, BG, BH, BN, BR, BW, BY, BZ,

(54) **Title:** SYSTEMS AND METHODS FOR ENABLING A HIGHLY AVAILABLE MANAGED FAILOVER SERVICE

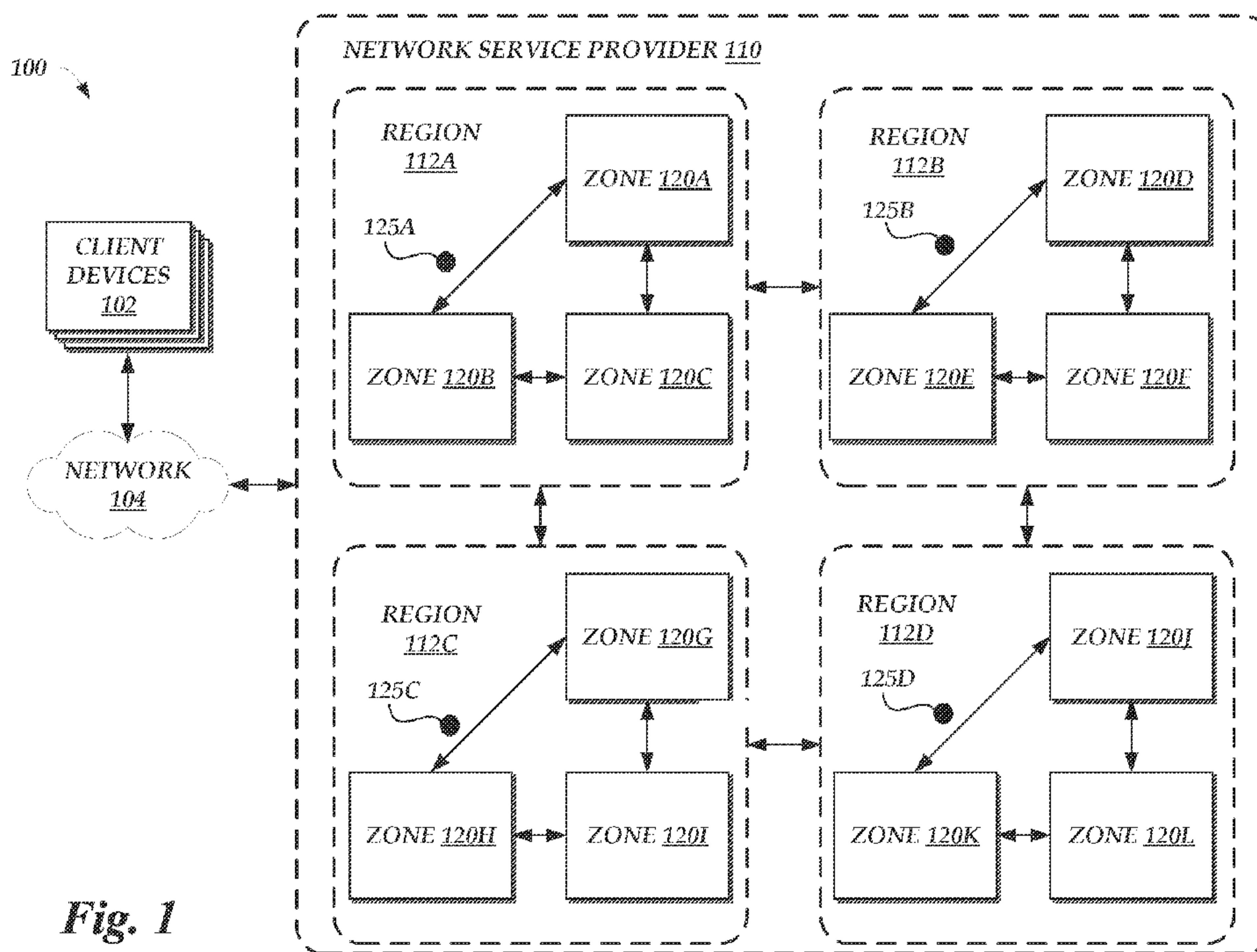


Fig. 1

(57) **Abstract:** The present disclosure relates to failover for an application partitioned across zones in a networked system that includes a computing system that receives and stores configuration information for the application in a data store. The configuration information comprises (1) identifiers for a plurality of cells of the application that include at least a primary cell and a secondary cell, (2) a defined state for each of the plurality of cells, (3) one or more dependencies for the application, and (4) a failover workflow defining actions to take in a failover event. The computing system receives an indication, from a customer, of a change in state of the primary cell or a request to initiate the failover event. The computing system updates, in the data store, the states for corresponding cells of the plurality of cells based on the failover workflow and updates, in the data store, the one or more dependencies for the application based on the failover workflow.



CA, CH, CL, CN, CO, CR, CU, CZ, DE, DJ, DK, DM, DO, DZ, EC, EE, EG, ES, FI, GB, GD, GE, GH, GM, GT, HN, HR, HU, ID, IL, IN, IR, IS, IT, JO, JP, KE, KG, KH, KN, KP, KR, KW, KZ, LA, LC, LK, LR, LS, LU, LY, MA, MD, ME, MG, MK, MN, MW, MX, MY, MZ, NA, NG, NI, NO, NZ, OM, PA, PE, PG, PH, PL, PT, QA, RO, RS, RU, RW, SA, SC, SD, SE, SG, SK, SL, ST, SV, SY, TH, TJ, TM, TN, TR, TT, TZ, UA, UG, US, UZ, VC, VN, WS, ZA, ZM, ZW.

(84) Designated States (*unless otherwise indicated, for every kind of regional protection available*): ARIPO (BW, GH, GM, KE, LR, LS, MW, MZ, NA, RW, SD, SL, ST, SZ, TZ, UG, ZM, ZW), Eurasian (AM, AZ, BY, KG, KZ, RU, TJ, TM), European (AL, AT, BE, BG, CH, CY, CZ, DE, DK, EE, ES, FI, FR, GB, GR, HR, HU, IE, IS, IT, LT, LU, LV, MC, MK, MT, NL, NO, PL, PT, RO, RS, SE, SI, SK, SM, TR), OAPI (BF, BJ, CF, CG, CI, CM, GA, GN, GQ, GW, KM, ML, MR, NE, SN, TD, TG).

Published:

- *with international search report (Art. 21(3))*
- *before the expiration of the time limit for amending the claims and to be republished in the event of receipt of amendments (Rule 48.2(h))*

(88) Date of publication of the international search report:

01 July 2021 (01.07.2021)

INTERNATIONAL SEARCH REPORT

International application No PCT/US2020/062090

A. CLASSIFICATION OF SUBJECT MATTER
 INV. G06F11/20 G06F16/27 G06F11/14 H04L29/08
 ADD.
 According to International Patent Classification (IPC) or to both national classification and IPC

B. FIELDS SEARCHED
 Minimum documentation searched (classification system followed by classification symbols)
 G06F H04L
 Documentation searched other than minimum documentation to the extent that such documents are included in the fields searched

Electronic data base consulted during the international search (name of data base and, where practicable, search terms used)
 EPO-Internal, WPI Data

C. DOCUMENTS CONSIDERED TO BE RELEVANT

Category*	Citation of document, with indication, where appropriate, of the relevant passages	Relevant to claim No.
A	US 10 404 613 B1 (BROOKER MARC JOHN [US] ET AL) 3 September 2019 (2019-09-03) abstract; figures 1-3,7 column 2, line 7 - column 5, line 27 column 10, line 60 - column 16, line 26 -----	1-15
A	US 9 984 140 B1 (SUKUMARAN ANISH [US] ET AL) 29 May 2018 (2018-05-29) abstract column 5, line 55 - column 7, line 12; figures 1-3 column 23, line 4 - column 24, line 46 ----- -/--	1-15

Further documents are listed in the continuation of Box C.

See patent family annex.

* Special categories of cited documents :

- "A" document defining the general state of the art which is not considered to be of particular relevance
- "E" earlier application or patent but published on or after the international filing date
- "L" document which may throw doubts on priority claim(s) or which is cited to establish the publication date of another citation or other special reason (as specified)
- "O" document referring to an oral disclosure, use, exhibition or other means
- "P" document published prior to the international filing date but later than the priority date claimed

- "T" later document published after the international filing date or priority date and not in conflict with the application but cited to understand the principle or theory underlying the invention
- "X" document of particular relevance; the claimed invention cannot be considered novel or cannot be considered to involve an inventive step when the document is taken alone
- "Y" document of particular relevance; the claimed invention cannot be considered to involve an inventive step when the document is combined with one or more other such documents, such combination being obvious to a person skilled in the art
- "&" document member of the same patent family

Date of the actual completion of the international search 19 May 2021	Date of mailing of the international search report 01/06/2021
--	--

Name and mailing address of the ISA/ European Patent Office, P.B. 5818 Patentlaan 2 NL - 2280 HV Rijswijk Tel. (+31-70) 340-2040, Fax: (+31-70) 340-3016	Authorized officer Weber, Vincent
--	--

INTERNATIONAL SEARCH REPORT

International application No

PCT/US2020/062090

C(Continuation). DOCUMENTS CONSIDERED TO BE RELEVANT

Category*	Citation of document, with indication, where appropriate, of the relevant passages	Relevant to claim No.
A	US 9 116 862 B1 (RATH TIMOTHY ANDREW [US] ET AL) 25 August 2015 (2015-08-25) column 3, lines 15-26 column 4, lines 24-56; figures 18,20 column 29, line 25 - column 30, line 11 column 38, lines 19-28 column 40, line 30 - column 41, line 30 column 42, lines 6-62 -----	1-15

INTERNATIONAL SEARCH REPORT

Information on patent family members

International application No

PCT/US2020/062090

Patent document cited in search report	Publication date	Patent family member(s)	Publication date
US 10404613	B1	03-09-2019	NONE

US 9984140	B1	29-05-2018	NONE

US 9116862	B1	25-08-2015	US 9116862 B1 25-08-2015
		US 2015363124 A1	17-12-2015
		US 2016285678 A1	29-09-2016
		US 2018324033 A1	08-11-2018
		US 2020228393 A1	16-07-2020
