



US00D443473S

(12) **United States Design Patent**  
Westfield

(10) **Patent No.:** **US D443,473 S**

(45) **Date of Patent:** **\*\* Jun. 12, 2001**

- (54) **BAKING RACK**
- (75) Inventor: **Barbara Westfield**, Chicago, IL (US)
- (73) Assignee: **Salton, Inc.**, Mt. Prospect, IL (US)
- (\*\*) Term: **14 Years**
- (21) Appl. No.: **29/122,124**
- (22) Filed: **Apr. 14, 2000**
- (51) **LOC (7) Cl.** ..... **07-02**
- (52) **U.S. Cl.** ..... **D7/409**
- (58) **Field of Search** ..... D7/323, 354-361,  
D7/402, 409; 99/330-336, 403-417; D6/465

5,615,605 4/1997 Kakimoto et al. .... 99/348  
 6,085,640 \* 7/2000 King ..... 99/407

\* cited by examiner

*Primary Examiner*—Caron D. Veynar  
 (74) *Attorney, Agent, or Firm*—Seed Intellectual Property  
 Law Group PLLC

(57) **CLAIM**

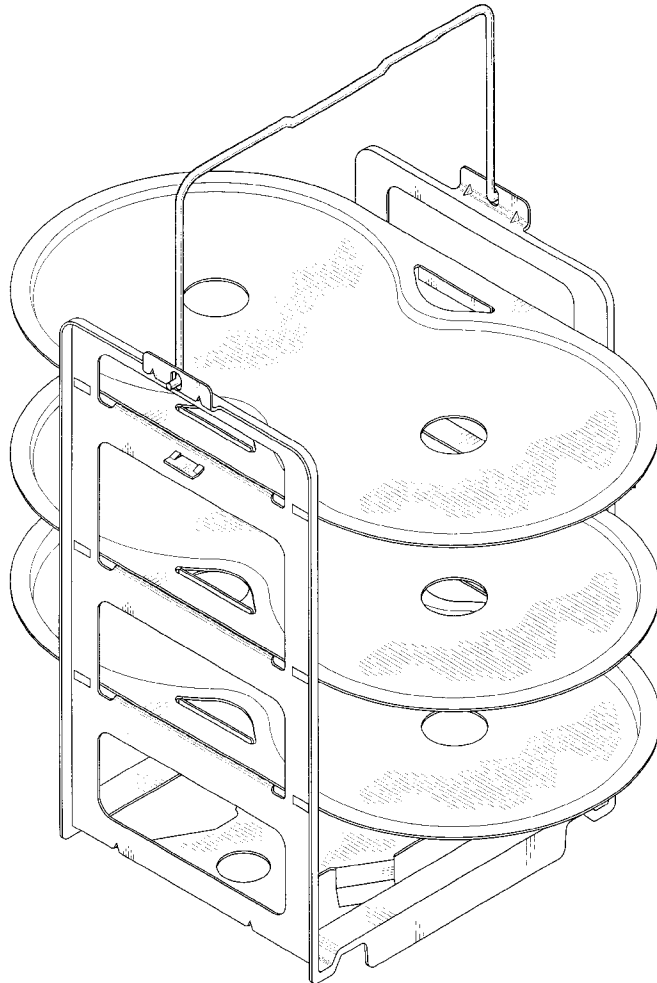
The ornamental design for a baking rack, as shown and described.

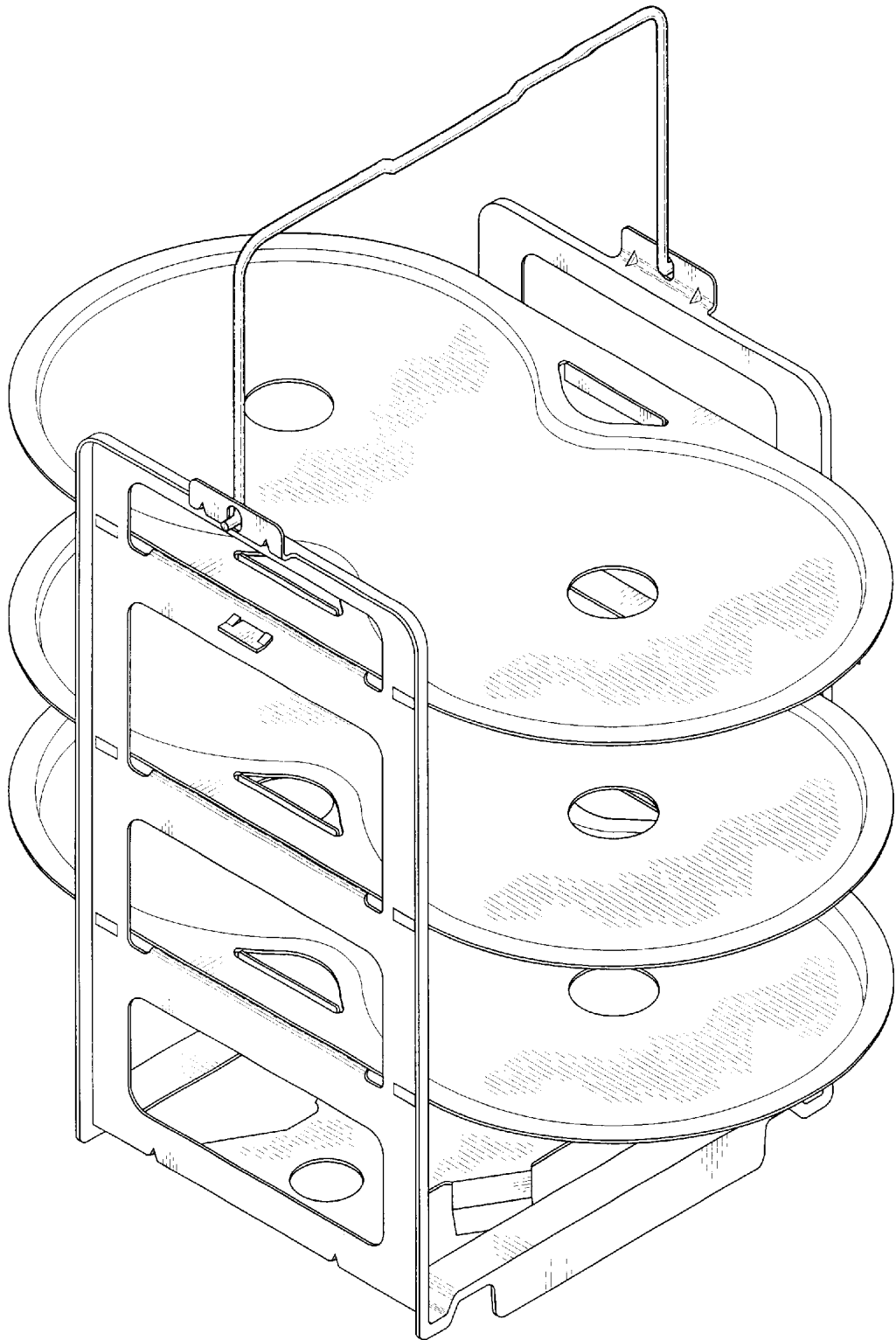
**DESCRIPTION**

FIG. 1 is a front perspective view of a baking rack showing my new design;  
 FIG. 2 is a front elevational view thereof, the rear elevational view being identical;  
 FIG. 3 is a left side elevational view thereof, the right side elevational view being identical;  
 FIG. 4 is a top plan view thereof; and,  
 FIG. 5 is a bottom plan view thereof.

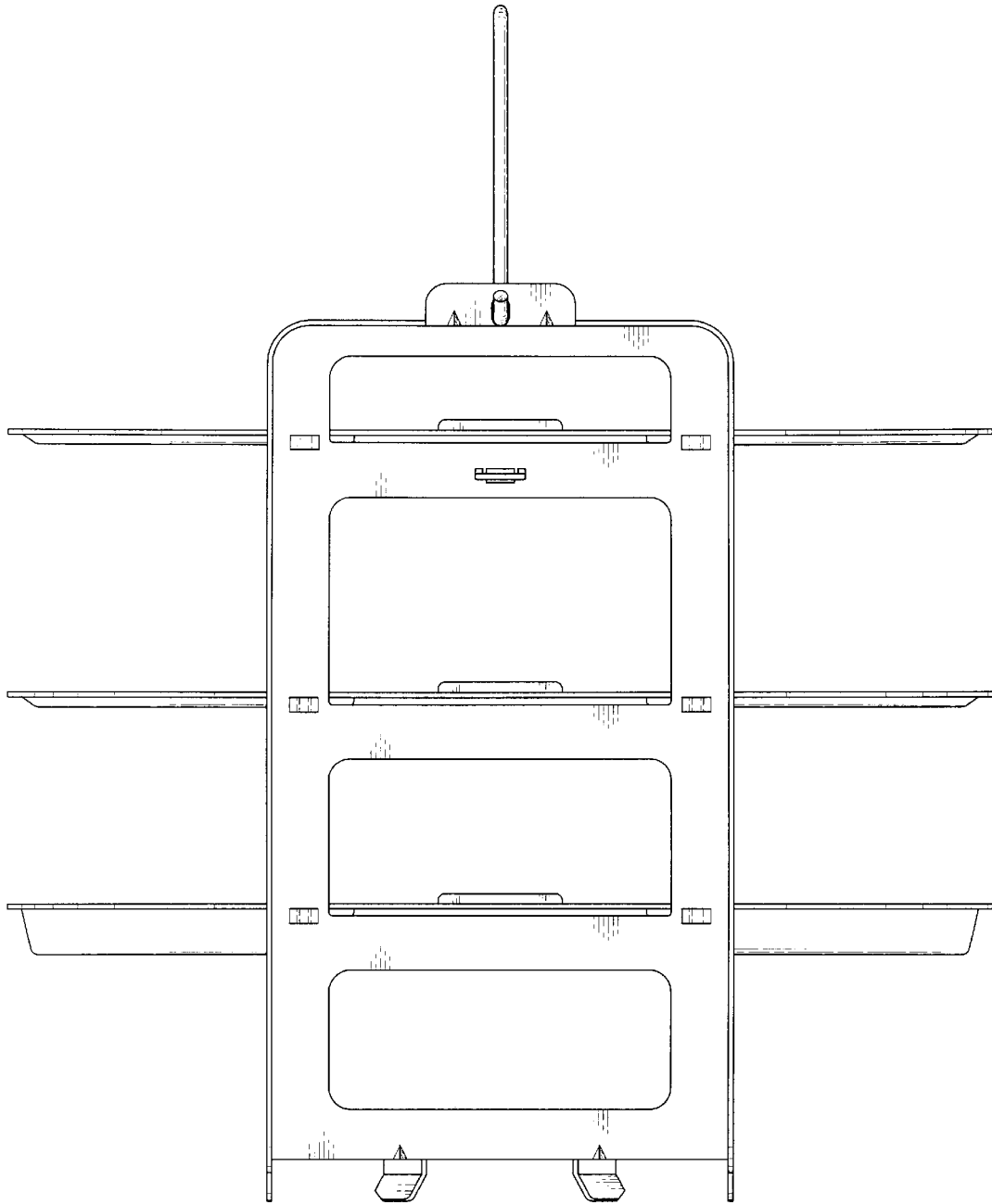
- (56) **References Cited**
- U.S. PATENT DOCUMENTS
- D. 378,484 3/1997 Harrison ..... D7/350
- D. 412,642 \* 8/1999 King ..... D7/409
- D. 429,600 \* 8/2000 Fuentes ..... D7/409
- 4,957,040 9/1990 Nakakura et al. .... 99/348
- 5,435,235 7/1995 Yoshida et al. .... 99/327

**1 Claim, 5 Drawing Sheets**

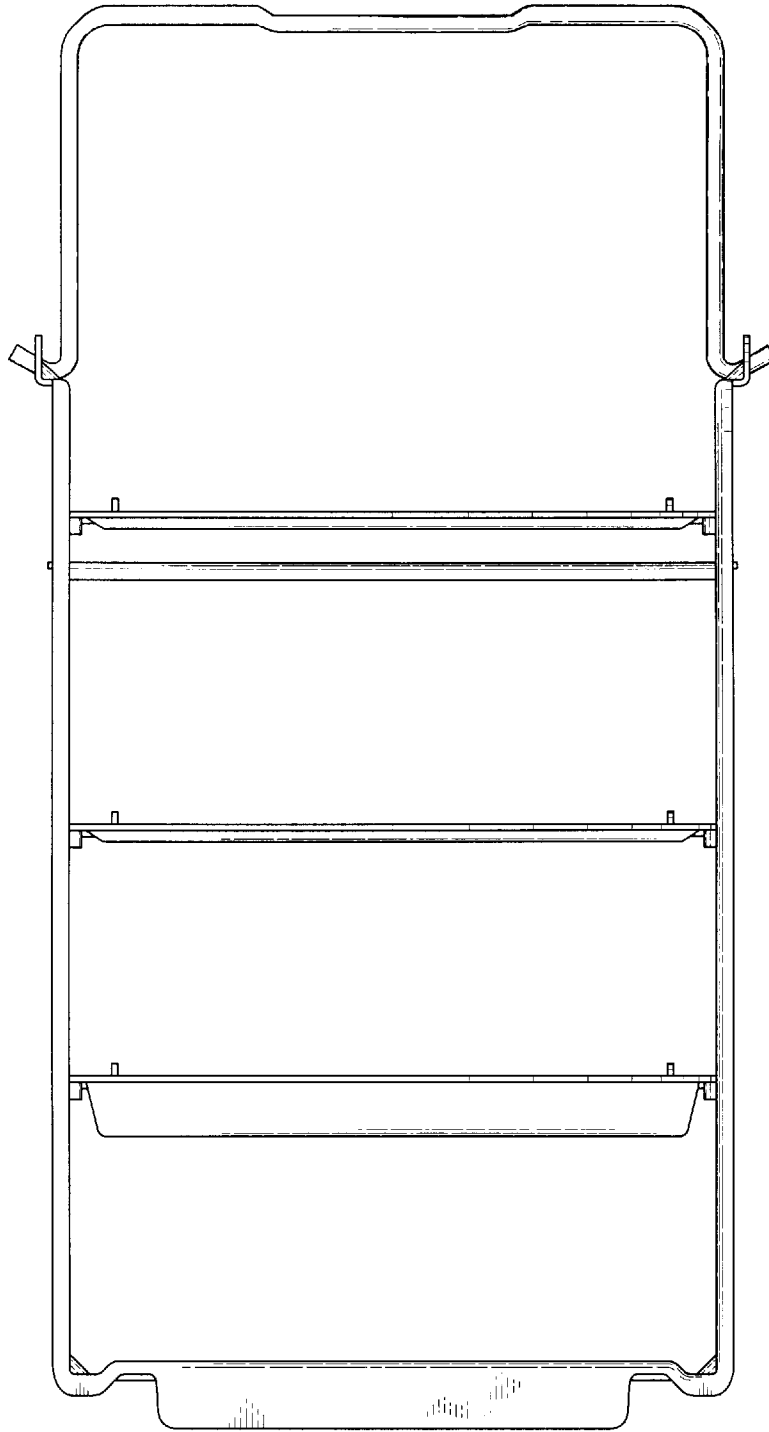




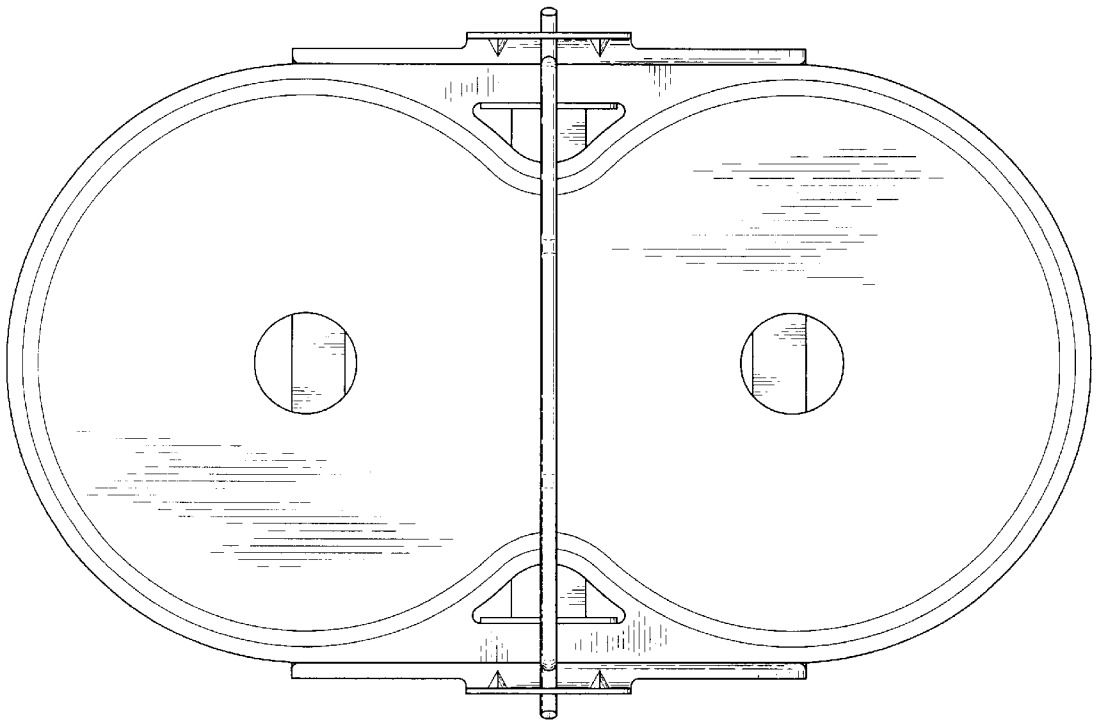
*Fig. 1*



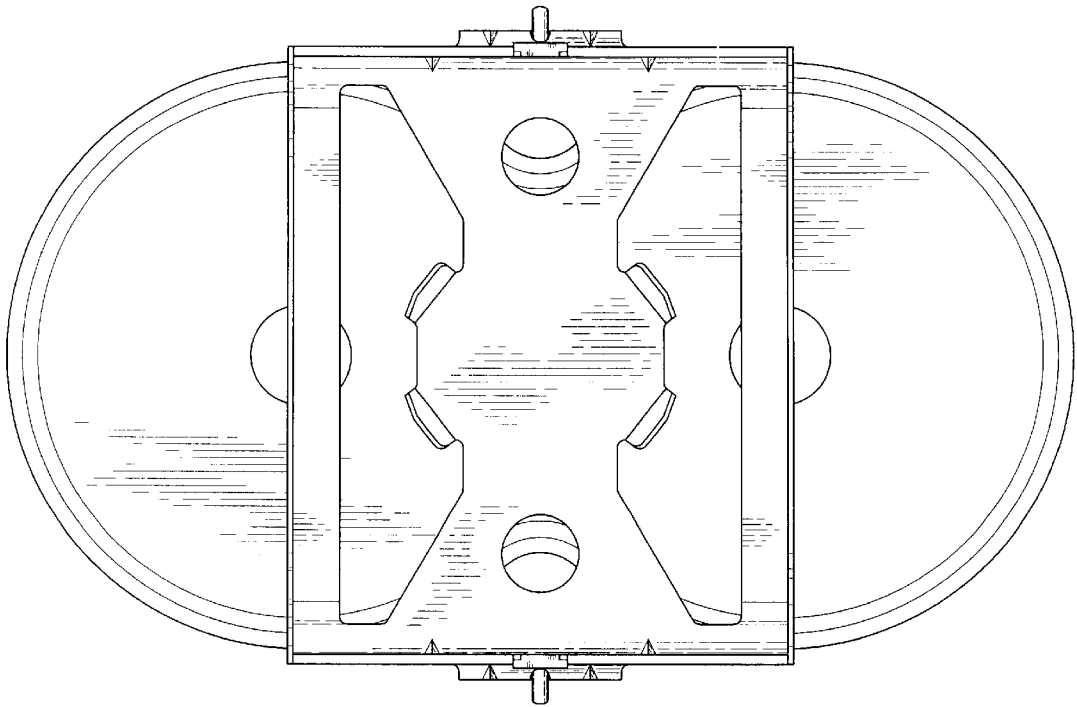
*Fig. 2*



*Fig. 3*



*Fig. 4*



*Fig. 5*