

(19) World Intellectual Property Organization
International Bureau



(43) International Publication Date
9 December 2010 (09.12.2010)

(10) International Publication Number
WO 2010/140836 A3

- (51) International Patent Classification:
F25D 23/02 (2006.01) *F25D 23/04* (2006.01)
- (21) International Application Number:
PCT/KR2010/003542
- (22) International Filing Date:
1 June 2010 (01.06.2010)
- (25) Filing Language: English
- (26) Publication Language: English
- (30) Priority Data:
10-2009-0049240 3 June 2009 (03.06.2009) KR
- (71) Applicant (for all designated States except US): **LG ELECTRONICS INC.** [KR/KR]; 20 Yeouido-dong, Yeongdeungpo-gu, Seoul 150-721 (KR).
- (72) Inventors; and
- (75) Inventors/Applicants (for US only): **KWON, Hongsik** [KR/KR]; LG Electronics Inc.IP Group, 327-23, Gasandong, Geumcheon-gu, Seoul 153-802 (KR). **CHANG,**

Yonghun [KR/KR]; LG Electronics Inc.IP Group, 327-23, Gasandong, Geumcheon-gu, Seoul 153-802 (KR). **HWANG, Jungyeon** [KR/KR]; LG Electronics Inc.IP Group, 327-23, Gasandong, Geumcheon-gu, Seoul 153-802 (KR). **YU, Seonil** [KR/KR]; LG Electronics Inc.IP Group, 327-23, Gasandong, Geumcheon-gu, Seoul 153-802 (KR).

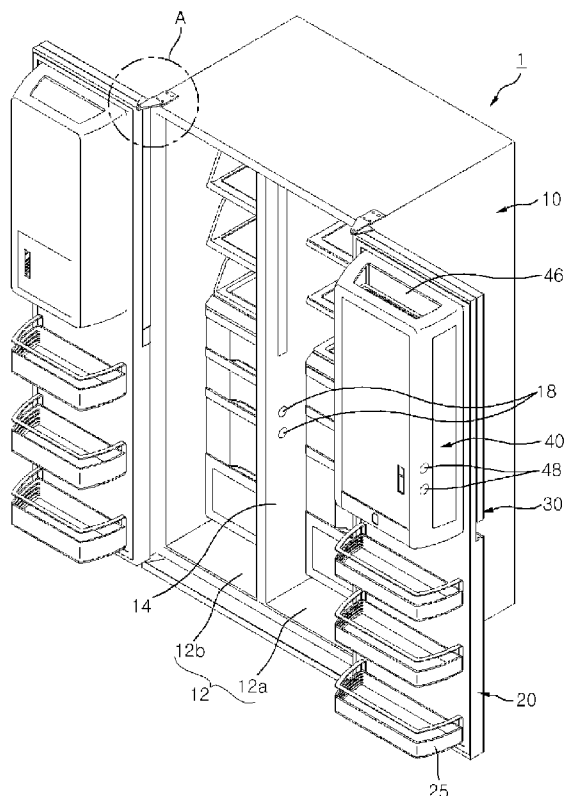
(74) Agent: **HAW, Yong- Noke**; 6th Fl. Hyun Juk Bldg., 832-41, Yeoksam-dong, Gangnam-gu, Seoul 135-080 (KR).

(81) Designated States (unless otherwise indicated, for every kind of national protection available): AE, AG, AL, AM, AO, AT, AU, AZ, BA, BB, BG, BH, BR, BW, BY, BZ, CA, CH, CL, CN, CO, CR, CU, CZ, DE, DK, DM, DO, DZ, EC, EE, EG, ES, FI, GB, GD, GE, GH, GM, GT, HN, HR, HU, ID, IL, IN, IS, JP, KE, KG, KM, KN, KP, KZ, LA, LC, LK, LR, LS, LT, LU, LY, MA, MD, ME, MG, MK, MN, MW, MX, MY, MZ, NA, NG, NI, NO, NZ, OM, PE, PG, PH, PL, PT, RO, RS, RU, SC, SD, SE,

[Continued on next page]

(54) Title: REFRIGERATOR

[Fig. 1]



(57) Abstract: A refrigerator is disclosed. The refrigerator includes a cabinet configured to define an exterior boundary of the refrigerator. The refrigerator also includes a first storage chamber defined by interior walls of the cabinet and configured to store food stuffs. The refrigerator further includes a first door configured to open and close the first storage chamber by rotating about a rotational axis. In addition, the refrigerator includes a second storage chamber that is smaller than the first storage chamber defined at a side of the first door, and that is configured to enable access to food stuffs while the first door remains closed and a second door, located in a predetermined portion of the first door, configured to open and close the second storage chamber by rotating the rotational axis, wherein a rotation direction of the second door is identical to the rotation direction of the first door.



SG, SK, SL, SM, ST, SV, SY, TH, TJ, TM, TN, TR, TT, TZ, UA, UG, US, UZ, VC, VN, ZA, ZM, ZW.

- (84) Designated States** (unless otherwise indicated, for every kind of regional protection available): ARIPO (BW, GH, GM, KE, LR, LS, MW, MZ, NA, SD, SL, SZ, TZ, UG, ZM, ZW), Eurasian (AM, AZ, BY, KG, KZ, MD, RU, TJ, TM), European (AL, AT, BE, BG, CH, CY, CZ, DE, DK, EE, ES, FI, FR, GB, GR, HR, HU, IE, IS, IT, LT, LU, LV, MC, MK, MT, NL, NO, PL, PT, RO, SE, SI, SK, SM, TR), OAPI (BF, BJ, CF, CG, CI, CM, GA, GN, GQ, GW, ML, MR, NE, SN, TD, TG).

Published:

- with international search report (Art. 21(3))
- before the expiration of the time limit for amending the claims and to be republished in the event of receipt of amendments (Rule 48.2(h))

(88) Date of publication of the international search report:

24 February 2011

INTERNATIONAL SEARCH REPORT

International application No.
PCT/KR2010/003542**A. CLASSIFICATION OF SUBJECT MATTER****F25D 23/02(2006.01)i, F25D 23/04(2006.01)i**

According to International Patent Classification (IPC) or to both national classification and IPC

B. FIELDS SEARCHED

Minimum documentation searched (classification system followed by classification symbols)

F25D 23/02; G06F 15/16; H04J 3/22; H04B 7/02

Documentation searched other than minimum documentation to the extent that such documents are included in the fields searched

Korean utility models and applications for utility models

Japanese utility models and applications for utility models

Electronic data base consulted during the international search (name of data base and, where practicable, search terms used)

eKOMPASS(KIPO internal) & Keywords: refrigerator, chamber, door, hinge, and shaft

C. DOCUMENTS CONSIDERED TO BE RELEVANT

Category*	Citation of document, with indication, where appropriate, of the relevant passages	Relevant to claim No.
Y	KR 10-0376167 B1 (SAMSUNG ELECTRONICS CO., LTD.) 15 March 2003 See Page 2, Line 1 ~ Page 4, Line 4; and Figures 1-6	1-23
Y	KR 20-0164322 Y1 (SAMSUNG ELECTRONICS CO., LTD.) 15 February 2000 See Page 2, Line 30 ~ Page 3, Line 45; and Figures 1-6	1-23
A	KR 20-0183300 Y1 (SAMSUNG ELECTRONICS CO., LTD.) 15 May 2000 See Page 2, Line 40 ~ Page 3, Line 60; and Figures 1-5	1-23
A	KR 10-1999-0074448 A (SAMSUNG ELECTRONICS CO., LTD.) 05 October 1999 See Page 2, Line 1 ~ Page 4, Line 50; and Figures 1-6	1-23
A	KR 20-1996-0008835 U (LEE JAE HYUN) 16 March 1996 See Claims 1-8; and Figures 1	1-23

 Further documents are listed in the continuation of Box C. See patent family annex.

* Special categories of cited documents:

"A" document defining the general state of the art which is not considered to be of particular relevance

"E" earlier application or patent but published on or after the international filing date

"L" document which may throw doubts on priority claim(s) or which is cited to establish the publication date of citation or other special reason (as specified)

"O" document referring to an oral disclosure, use, exhibition or other means

"P" document published prior to the international filing date but later than the priority date claimed

"T" later document published after the international filing date or priority date and not in conflict with the application but cited to understand the principle or theory underlying the invention

"X" document of particular relevance; the claimed invention cannot be considered novel or cannot be considered to involve an inventive step when the document is taken alone

"Y" document of particular relevance; the claimed invention cannot be considered to involve an inventive step when the document is combined with one or more other such documents, such combination being obvious to a person skilled in the art

"&" document member of the same patent family

Date of the actual completion of the international search

20 DECEMBER 2010 (20.12.2010)

Date of mailing of the international search report

20 DECEMBER 2010 (20.12.2010)

Name and mailing address of the ISA/KR

Korean Intellectual Property Office
Government Complex-Daejeon, 139 Seonsa-ro, Seo-
gu, Daejeon 302-701, Republic of Korea

Facsimile No. 82-42-472-7140

Authorized officer

CHUNG, KI HYUN

Telephone No. 82-42-481-5502



INTERNATIONAL SEARCH REPORT

Information on patent family members

International application No.

PCT/KR2010/003542

Patent document cited in search report	Publication date	Patent family member(s)	Publication date
KR 10-0376167 B1	15.03.2003	None	
KR 20-0164322 Y1	15.02.2000	None	
KR 20-0183300 Y1	15.05.2000	None	
KR 10-1999-0074448 A	05.10.1999	None	
KR 20-1996-0008835 U	16.03.1996	None	