

(19) World Intellectual Property Organization
International Bureau



(43) International Publication Date
29 January 2009 (29.01.2009)

PCT

(10) International Publication Number
WO 2009/013565 A3

- (51) International Patent Classification:
G08B 3/10 (2006.01) G10K 1/062 (2006.01)
- (21) International Application Number:
PCT/IB2007/004699
- (22) International Filing Date: 30 August 2007 (30.08.2007)
- (25) Filing Language: English
- (26) Publication Language: English
- (30) Priority Data:
60/916,499 7 May 2007 (07.05.2007) US
11/747,720 11 May 2007 (11.05.2007) US
- (71) Applicant (for all designated States except US): IQ GROUP SDN BHD [MY/MY]; 149, Jalan Sultan Azlan Shah, Taman Perindustrian Bayan, Fasa 1 (ftz) Bayan Lepas, Palau, Penang (MY).
- (72) Inventors; and
- (75) Inventors/Applicants (for US only): CHEN, Wen-Chin; 5th Floor, No. 16, Lane 130, Ming Chun Road, Hsin Tien, Taipei (TW). TAN, Chun Teng [MY/MY]; 149 Jalan Sultan Azlan Shah, Taman Perindustrian Bayan Lepas, Fasa 1 (FTZ), Bayan Lepas, 11900 Pulau Pinang (MY).
- (74) Agents: WYATT, David, Alan et al.; Henry Goh & Co. SDN. BHD., 217 Jalan Imbi, 55100 Kuala Lumpur (MY).

- (81) Designated States (unless otherwise indicated, for every kind of national protection available): AE, AG, AL, AM, AT, AU, AZ, BA, BB, BG, BH, BR, BW, BY, BZ, CA, CH, CN, CO, CR, CU, CZ, DE, DK, DM, DO, DZ, EC, EE, EG, ES, FI, GB, GD, GE, GH, GM, GT, HN, HR, HU, ID, IL, IN, IS, JP, KE, KG, KM, KN, KP, KR, KZ, LA, LC, LK, LR, LS, LT, LU, LY, MA, MD, ME, MG, MK, MN, MW, MX, MY, MZ, NA, NG, NI, NO, NZ, OM, PG, PH, PL, PT, RO, RS, RU, SC, SD, SE, SG, SK, SL, SM, SV, SY, TJ, TM, TN, TR, TT, TZ, UA, UG, US, UZ, VC, VN, ZA, ZM, ZW.
- (84) Designated States (unless otherwise indicated, for every kind of regional protection available): ARIPO (BW, GH, GM, KE, LS, MW, MZ, NA, SD, SL, SZ, TZ, UG, ZM, ZW), Eurasian (AM, AZ, BY, KG, KZ, MD, RU, TJ, TM), European (AT, BE, BG, CH, CY, CZ, DE, DK, EE, ES, FI, FR, GB, GR, HU, IE, IS, IT, LT, LU, LV, MC, MT, NL, PL, PT, RO, SE, SI, SK, TR), OAPI (BF, BJ, CF, CG, CI, CM, GA, GN, GQ, GW, ML, MR, NE, SN, TD, TG).

- Published:
 - with international search report
 - before the expiration of the time limit for amending the claims and to be republished in the event of receipt of amendments
- (88) Date of publication of the international search report: 14 May 2009

(54) Title: ADJUSTABLE DOOR CHIME WITH INTERCHANGEABLE PARTS

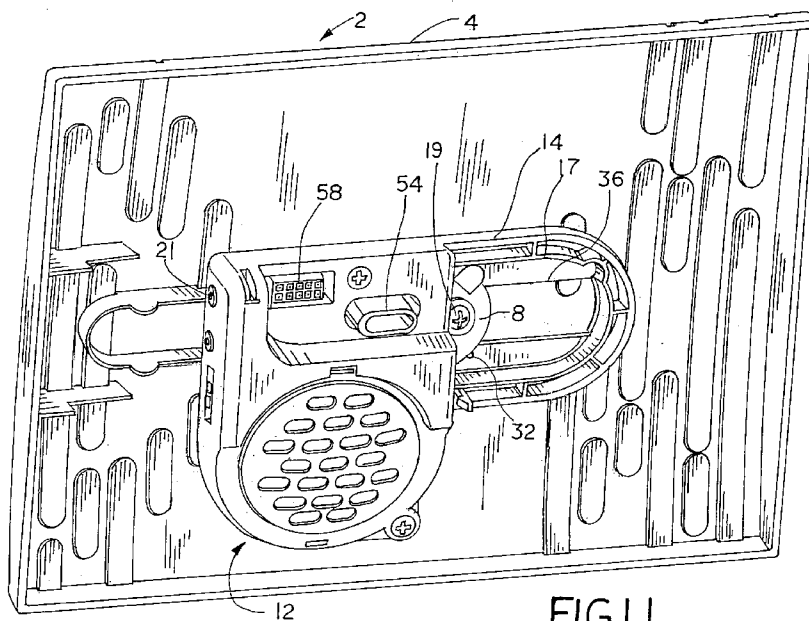


FIG. 1

(57) Abstract: The present invention is a door chime. The door chime has a decorative cover connected to a sound module including sound controls. The decorative cover is shiftable relative to the sound module from a first position in which the decorative chime will be displayed during normal use, to a second position to allow access to the sound controls in the second position. The connection between the sound module and the decorative cover allows for either a sliding connection or a rotating connection depending on the desired configuration. The power module for the door chime is interchangeable between a battery powered and hard wired module.

WO 2009/013565 A3

INTERNATIONAL SEARCH REPORT

International application No.

PCT/IB2007/004699

A. CLASSIFICATION OF SUBJECT MATTER

Int. Cl.

G08B 3/10 (2006.01)

G10K 1/062 (2006.01)

According to International Patent Classification (IPC) or to both national classification and IPC

B. FIELDS SEARCHED

Minimum documentation searched (classification system followed by classification symbols)

Documentation searched other than minimum documentation to the extent that such documents are included in the fields searched

Electronic data base consulted during the international search (name of data base and, where practicable, search terms used)

EPODOC, WPI IPC: G08B3, G10K1 & keywords: DOOR CHIME, COVER, SOUND, CONTROL, POSITION, ACCESS, DECORATION and other terms and phrases

C. DOCUMENTS CONSIDERED TO BE RELEVANT

Category*	Citation of document, with indication, where appropriate, of the relevant passages	Relevant to claim No.
X	US 2006/0220797 A1 (VALENTINO ET AL) 5 October 2006 See whole document, especially Figs.1-4, paragraphs [0001], [0015] and [0017]	1, 5, 6, 8
X	US 5077452 A (MATHERS ET AL) 31 December 1991 See whole document, especially abstract, Figs.2-4	1, 8
X	US 2447226 A (D. E. BENNETT) 17 August 1948 See whole document, especially Figs.1-3, column 1 lines 3-9, 34-38, 48-50 and column 2 lines 20-40	1, 2

 Further documents are listed in the continuation of Box C See patent family annex

* Special categories of cited documents:

"A" document defining the general state of the art which is not considered to be of particular relevance

"T" later document published after the international filing date or priority date and not in conflict with the application but cited to understand the principle or theory underlying the invention

"E" earlier application or patent but published on or after the international filing date

"X" document of particular relevance; the claimed invention cannot be considered novel or cannot be considered to involve an inventive step when the document is taken alone

"L" document which may throw doubts on priority claim(s) or which is cited to establish the publication date of another citation or other special reason (as specified)

"Y" document of particular relevance; the claimed invention cannot be considered to involve an inventive step when the document is combined with one or more other such documents, such combination being obvious to a person skilled in the art

"O" document referring to an oral disclosure, use, exhibition or other means

"&" document member of the same patent family

"P" document published prior to the international filing date but later than the priority date claimed

Date of the actual completion of the international search
16 February 2009

Date of mailing of the international search report

20 MAR 2009

Name and mailing address of the ISA/AU

AUSTRALIAN PATENT OFFICE
PO BOX 200, WODEN ACT 2606, AUSTRALIA
E-mail address: pct@ipaaustralia.gov.au
Facsimile No. +61 2 6283 7999

Authorized officer

BAYER MITROVIC
AUSTRALIAN PATENT OFFICE
(ISO 9001 Quality Certified Service)
Telephone No : +61 2 6283 2164

INTERNATIONAL SEARCH REPORT

Information on patent family members

International application No.

PCT/IB2007/004699

This Annex lists the known "A" publication level patent family members relating to the patent documents cited in the above-mentioned international search report. The Australian Patent Office is in no way liable for these particulars which are merely given for the purpose of information.

Patent Document Cited in Search Report	Patent Family Member
US 2006220797	NONE
US 5077452	NONE
US 2447226	NONE

Due to data integration issues this family listing may not include 10 digit Australian applications filed since May 2001.

END OF ANNEX