

[54] TOY AIRPLANE

3,777,392 12/1973 Span et al. .... D21/90

[76] Inventor: Edmund G. Zimmerman, 245 Iolani Ave., #101, Honolulu, Hi. 96813

Primary Examiner—Charles A. Rademaker  
Attorney, Agent, or Firm—Martin E. Hsia

[\*\*] Term: 14 Years

[57] CLAIM

[21] Appl. No.: 236,113

The ornamental design for a toy airplane, as shown.

[22] Filed: Aug. 24, 1988

DESCRIPTION

[52] U.S. Cl. .... D21/90

[58] Field of Search ..... D21/82, 83, 84, 85,  
D21/86-90; 446/34, 36, 61-68

FIG. 1 is a front perspective view of a model airplane showing my new design;

FIG. 2 is a top plan view thereof;

FIG. 3 is a right side elevational view thereof;

FIG. 4 is a bottom plan view thereof;

FIG. 5 is a left side elevational view thereof;

FIG. 6 is a front elevational view thereof; and

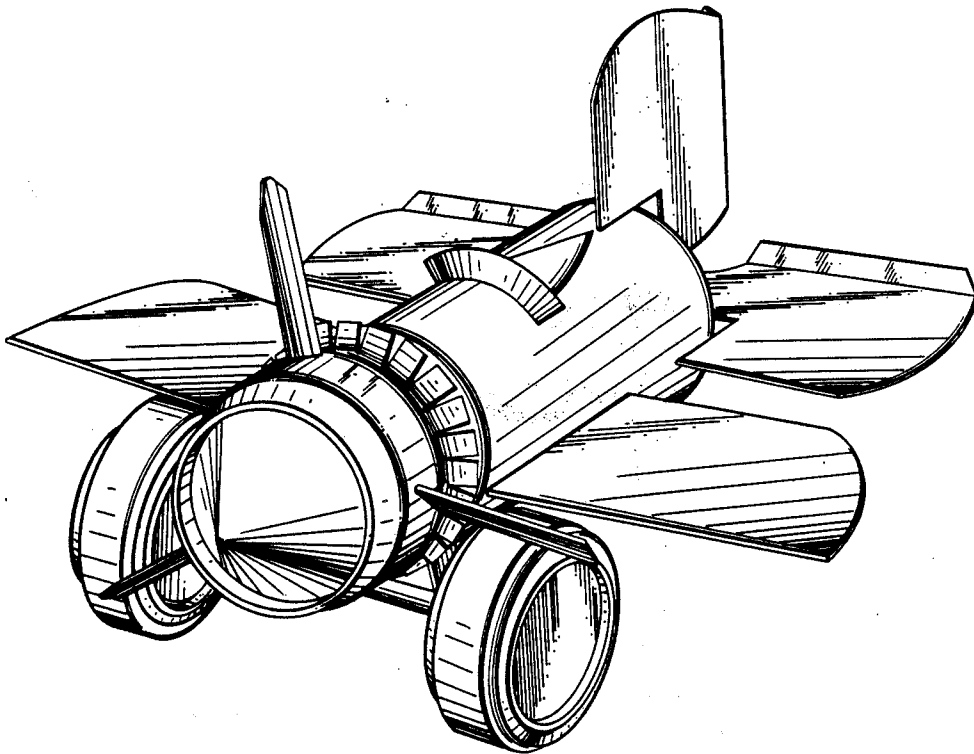
FIG. 7 is a rear elevational view thereof.

[56]

References Cited

U.S. PATENT DOCUMENTS

- D. 251,865 5/1979 Butler ..... D21/90
- 2,182,913 12/1939 Brubaker ..... D21/90



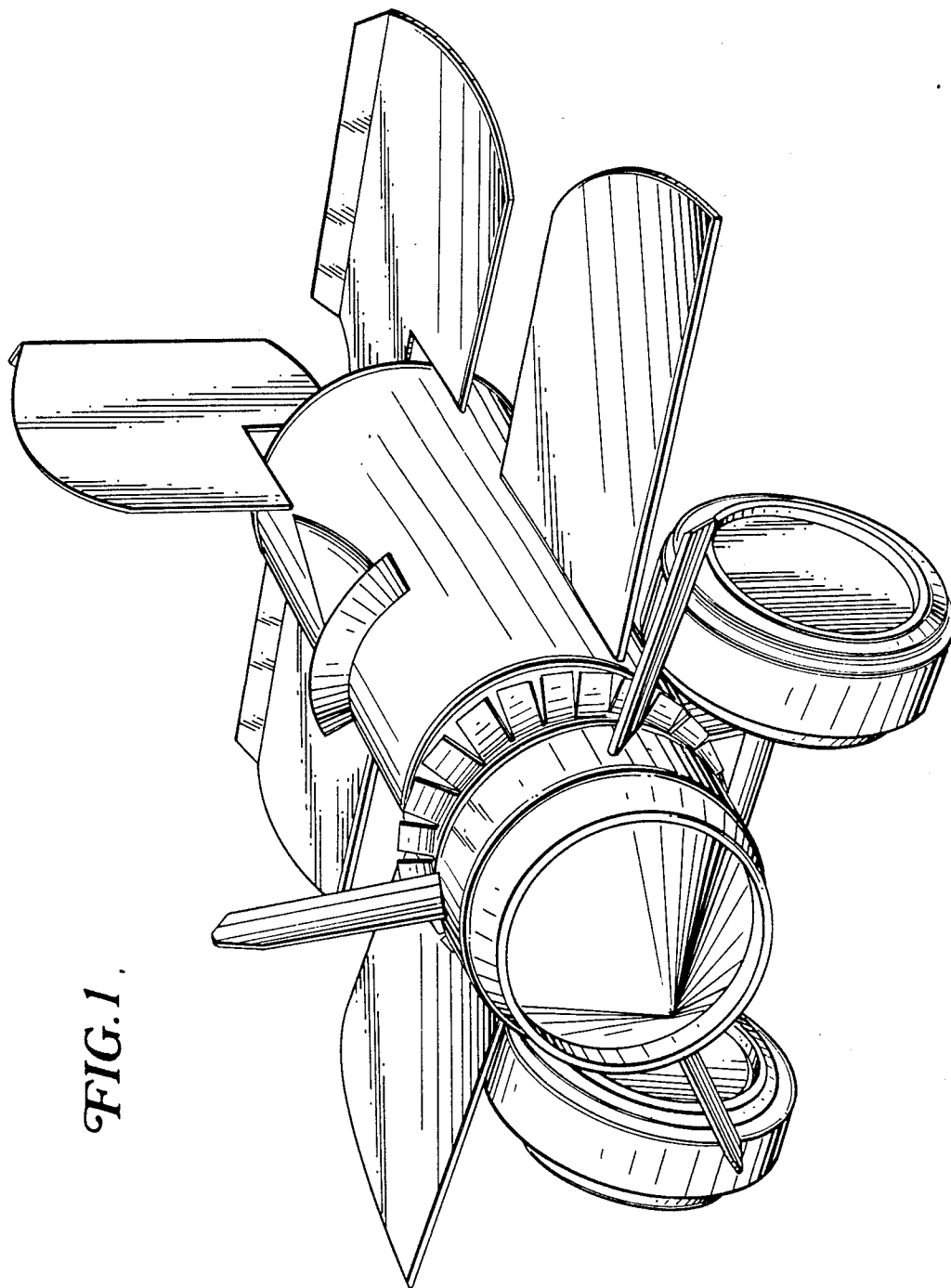


FIG. 1.

FIG. 2

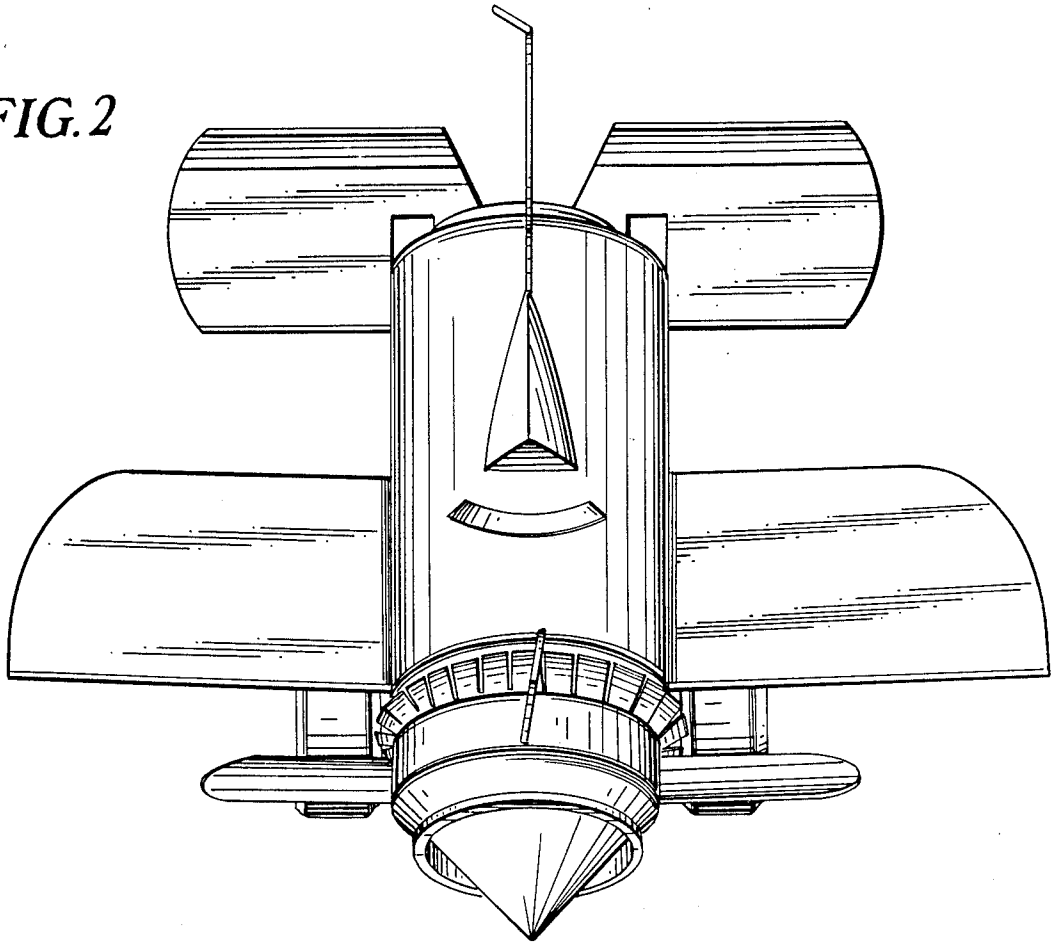


FIG. 3

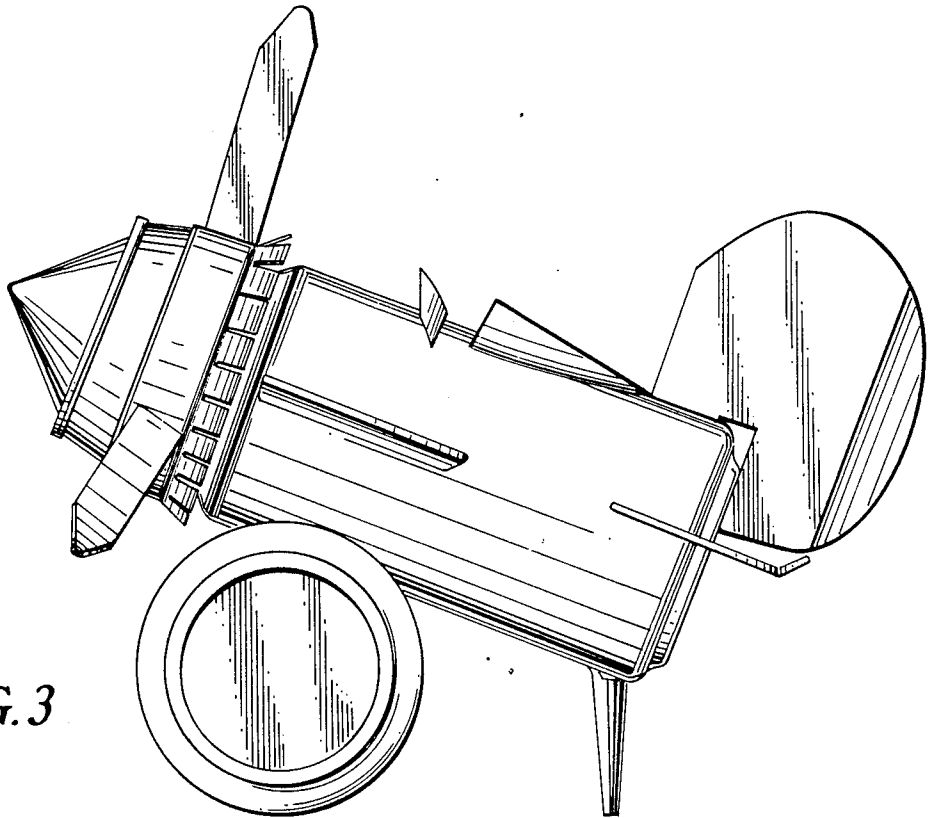


FIG. 4

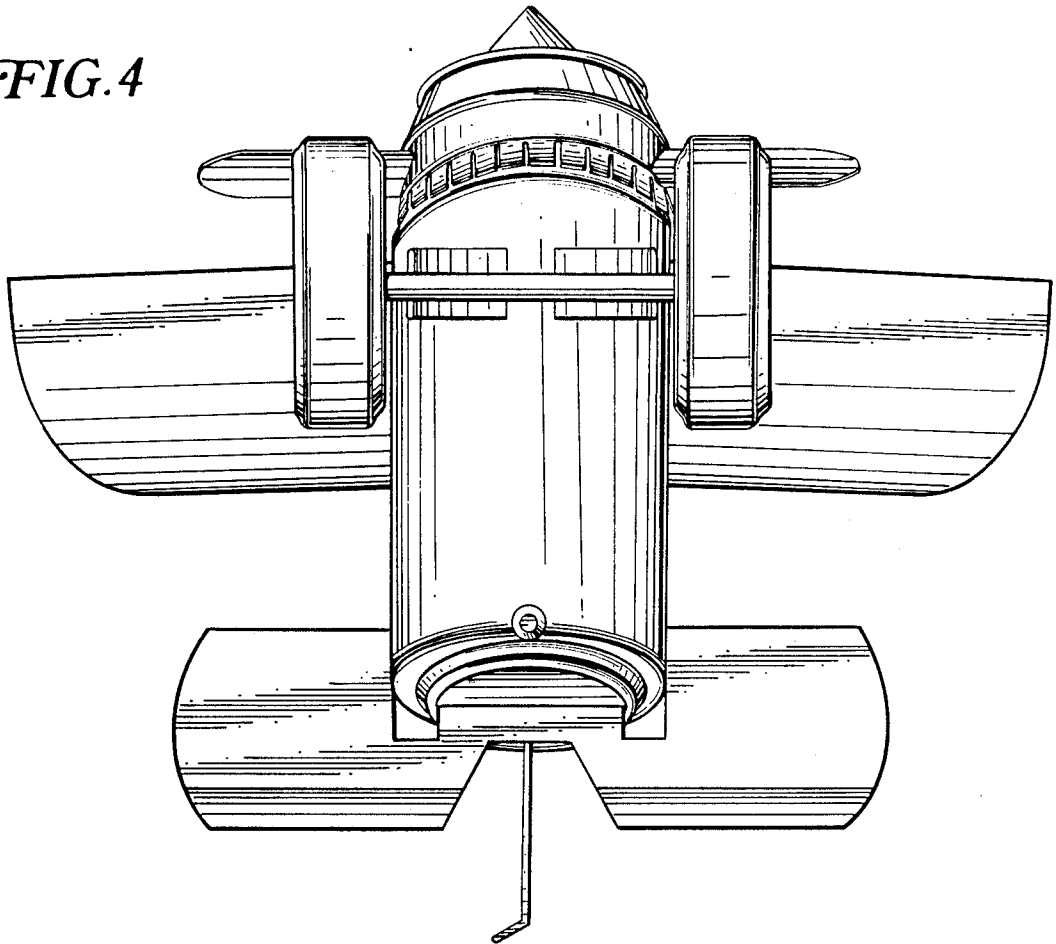


FIG. 5

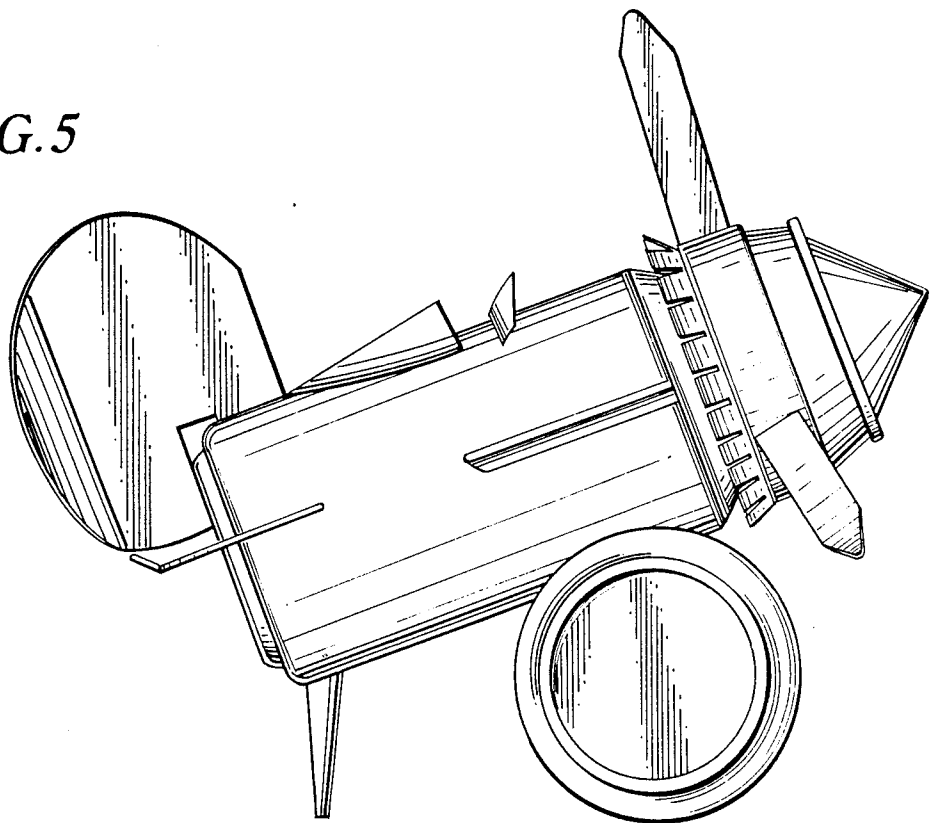


FIG. 6

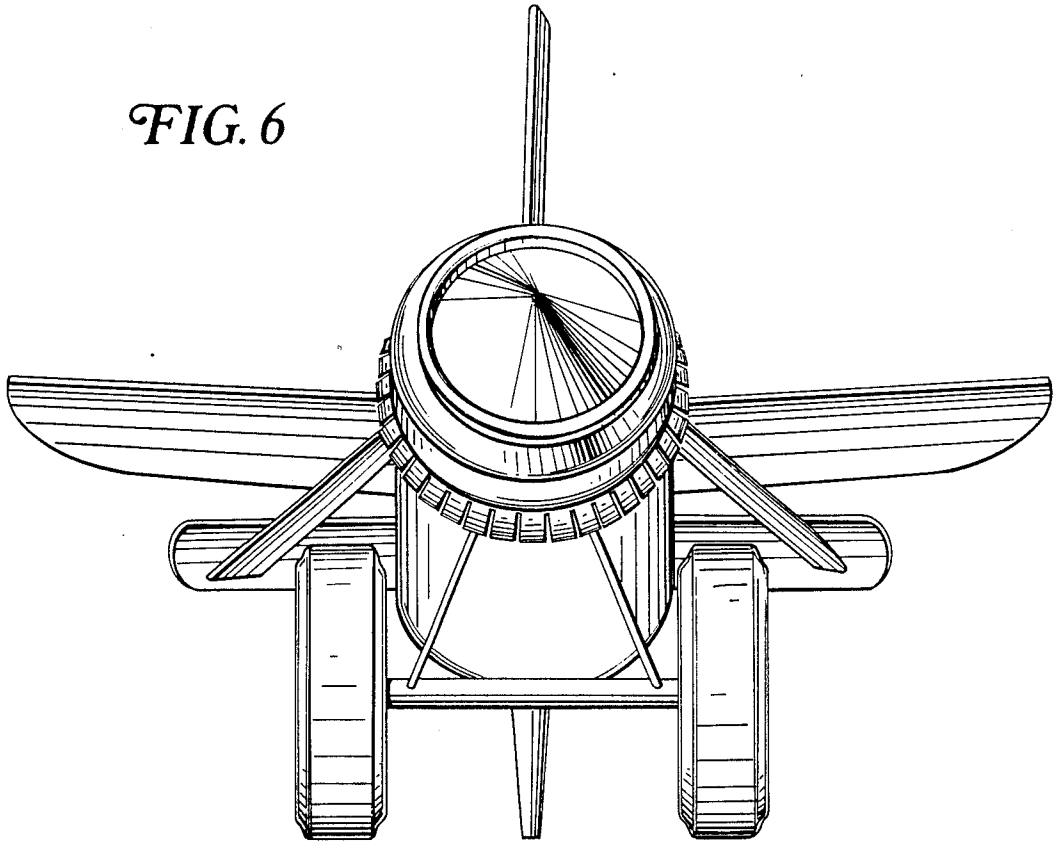


FIG. 7

