



- (51) **International Patent Classification:**
H04B 1/40 (2006.01) *H04W 4/00* (2009.01)
- (21) **International Application Number:**
PCT/KR2011/006132
- (22) **International Filing Date:**
19 August 2011 (19.08.2011)
- (25) **Filing Language:** English
- (26) **Publication Language:** English
- (30) **Priority Data:**
10-2010-0094784
29 September 2010 (29.09.2010) KR
- (71) **Applicant (for all designated States except US):** **LG ELECTRONICS INC.** [KR/KR]; 20, Yeouido-dong, Yeongdeungpo-gu, Seoul 150-721 (KR).
- (72) **Inventor; and**
- (75) **Inventor/Applicant (for US only):** **OH, Soohwan** [KR/KR]; Sanghyeon Maeul Hyundai Sungwoo 5-Cha Apt. 104-1703, Sanghyeon 1-Dong, Suji-Gu, Yongin-Si, Gyeonggi-Do 448-518 (KR).
- (74) **Agent:** **PARK, Jang-Won**; 3rd Floor, Shinyoung Wacoal Bldg., 49-4 Nonhyun-dong, Gangnam-gu, Seoul 135-814 (KR).
- (81) **Designated States (unless otherwise indicated, for every kind of national protection available):** AE, AG, AL, AM,

AO, AT, AU, AZ, BA, BB, BG, BH, BR, BW, BY, BZ, CA, CH, CL, CN, CO, CR, CU, CZ, DE, DK, DM, DO, DZ, EC, EE, EG, ES, FI, GB, GD, GE, GH, GM, GT, HN, HR, HU, ID, IL, IN, IS, JP, KE, KG, KM, KN, KP, KZ, LA, LC, LK, LR, LS, LT, LU, LY, MA, MD, ME, MG, MK, MN, MW, MX, MY, MZ, NA, NG, NI, NO, NZ, OM, PE, PG, PH, PL, PT, QA, RO, RS, RU, SC, SD, SE, SG, SK, SL, SM, ST, SV, SY, TH, TJ, TM, TN, TR, TT, TZ, UA, UG, US, UZ, VC, VN, ZA, ZM, ZW.

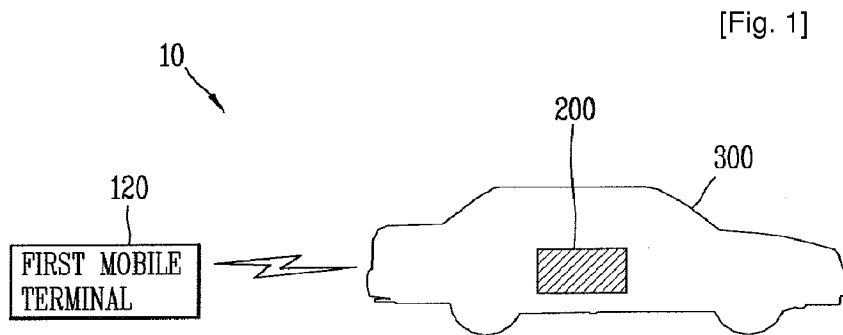
- (84) **Designated States (unless otherwise indicated, for every kind of regional protection available):** ARIPO (BW, GH, GM, KE, LR, LS, MW, MZ, NA, SD, SL, SZ, TZ, UG, ZM, ZW), Eurasian (AM, AZ, BY, KG, KZ, MD, RU, TJ, TM), European (AL, AT, BE, BG, CH, CY, CZ, DE, DK, EE, ES, FI, FR, GB, GR, HR, HU, IE, IS, IT, LT, LU, LV, MC, MK, MT, NL, NO, PL, PT, RO, RS, SE, SI, SK, SM, TR), OAPI (BF, BJ, CF, CG, CI, CM, GA, GN, GQ, GW, ML, MR, NE, SN, TD, TG).

Published:

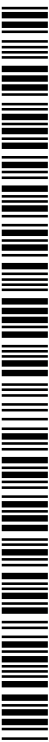
- with international search report (Art. 21(3))
- before the expiration of the time limit for amending the claims and to be republished in the event of receipt of amendments (Rule 48.2(h))

- (88) **Date of publication of the international search report:**
31 May 2012

(54) **Title:** MOBILE TERMINAL AND CONTROL METHOD THEREOF



(57) **Abstract:** A mobile terminal and a control method thereof are provided. Contents displayed in a mobile terminal may be optimized for and displayed on a different mobile terminal in communication therewith. The method for controlling a mobile terminal includes: outputting previously stored contents to a first mobile terminal; and controlling a transmission of the contents being outputted based on characteristic information of a second mobile terminal that is to receive at least a portion of the contents being outputted, wherein there is a difference between the contents being outputted to the first mobile terminal and the contents the second mobile terminal is to receive and output.



INTERNATIONAL SEARCH REPORT

International application No.
PCT/KR2011/006132**A. CLASSIFICATION OF SUBJECT MATTER****H04B 1/40(2006.01)i, H04W 4/00(2009.01)i**

According to International Patent Classification (IPC) or to both national classification and IPC

B. FIELDS SEARCHED

Minimum documentation searched (classification system followed by classification symbols)

H04B 1/40; H04W 88/02; H04W 88/04; G06F 9/06; H04L 12/56

Documentation searched other than minimum documentation to the extent that such documents are included in the fields searched

Korean utility models and applications for utility models

Japanese utility models and applications for utility models

Electronic data base consulted during the international search (name of data base and, where practicable, search terms used)

eKOMPASS(KIPO internal) & Keywords: contents, transmission, controller, M2M

C. DOCUMENTS CONSIDERED TO BE RELEVANT

Category*	Citation of document, with indication, where appropriate, of the relevant passages	Relevant to claim No.
A	KR 10-2008-0083860 A (SAMSUNG ELECTRONICS CO., LTD.) 19 September 2008 See abstract; paragraphs [0044]-[0047]; figures 3, 4.	1-29
A	US 2009-0257432 A1 (YAMAGUCHI TSUYOSHI et al.) 15 October 2009 See abstract; paragraphs [0204]-[0219]; figures 1, 2, 8-10E.	1-29
A	KR 10-2006-0013579 A (BIZMODELINE CO., LTD.) 10 February 2006 See abstract; page 5, line 8- page 6, line 1; figures 4, 8, 11-13.	1-29

 Further documents are listed in the continuation of Box C. See patent family annex.

* Special categories of cited documents:

"A" document defining the general state of the art which is not considered to be of particular relevance

"E" earlier application or patent but published on or after the international filing date

"L" document which may throw doubts on priority claim(s) or which is cited to establish the publication date of citation or other special reason (as specified)

"O" document referring to an oral disclosure, use, exhibition or other means

"P" document published prior to the international filing date but later than the priority date claimed

"T" later document published after the international filing date or priority date and not in conflict with the application but cited to understand the principle or theory underlying the invention

"X" document of particular relevance; the claimed invention cannot be considered novel or cannot be considered to involve an inventive step when the document is taken alone

"Y" document of particular relevance; the claimed invention cannot be considered to involve an inventive step when the document is combined with one or more other such documents, such combination being obvious to a person skilled in the art

"&" document member of the same patent family

Date of the actual completion of the international search

28 MARCH 2012 (28.03.2012)

Date of mailing of the international search report

04 APRIL 2012 (04.04.2012)

Name and mailing address of the ISA/KR

Korean Intellectual Property Office
Government Complex-Daejeon, 189 Cheongsu-ro,
Seo-gu, Daejeon 302-701, Republic of Korea

Facsimile No. 82-42-472-7140

Authorized officer

Ko, Yeon Hwa

Telephone No. 82-42-481-8569



INTERNATIONAL SEARCH REPORT

Information on patent family members

International application No.

PCT/KR2011/006132

Patent document cited in search report	Publication date	Patent family member(s)	Publication date
KR 10-2008-0083860 A	19.09.2008	None	
US 2009-0257432 A1	15.10.2009	CN 101401375 A EP 1993243 A1 EP 1993243 A4 JP 04-791533 B2 KR 10-2009-0006828 A US 7978698 B2 WO 2007-119403 A1	01.04.2009 19.11.2008 13.04.2011 29.07.2011 15.01.2009 12.07.2011 25.10.2007
KR 10-2006-0013579 A	10.02.2006	None	