



US00D475685S

(12) **United States Design Patent**
Cheng et al.

(10) **Patent No.:** **US D475,685 S**

(45) **Date of Patent:** **** Jun. 10, 2003**

(54) **FUSE**

(76) Inventors: **Wen Tzung Cheng**, No. 78, Chao Chou St., Tao Yuan City (TW); **Wen Ho Cheng**, No. 78, Chao Chou St., Tao Yuan City (TW)

(**) Term: **14 Years**

(21) Appl. No.: **29/161,976**

(22) Filed: **Jun. 10, 2002**

(51) **LOC (7) Cl.** **13-03**

(52) **U.S. Cl.** **D13/161**

(58) **Field of Search** D13/160, 161, D13/178; 337/186, 188, 198, 201, 227, 255, 272, 290; 439/354, 557, 621, 622

(56) **References Cited**

U.S. PATENT DOCUMENTS

| | | | | | | |
|-----------|---|---|---------|-----------|-------|---------|
| 502,541 | A | * | 8/1893 | Thalacker | | 337/227 |
| D325,193 | S | * | 4/1992 | Kudo | | D13/161 |
| 5,293,147 | A | * | 3/1994 | Oh et al. | | 337/227 |
| 5,346,411 | A | * | 9/1994 | Nikkinen | | 439/621 |
| 5,854,583 | A | * | 12/1998 | Falchetti | | 337/290 |

| | | | | | | |
|-----------|----|---|--------|------------------|-------|---------|
| D419,532 | S | * | 1/2000 | Hibayashi | | D13/161 |
| 6,067,004 | A | * | 5/2000 | Hibayashi et al. | | 337/227 |
| 6,275,135 | B1 | * | 8/2001 | Hibayashi et al. | | 337/227 |
| D454,842 | S | * | 3/2002 | Ohashi et al. | | D13/161 |
| 6,448,882 | B1 | * | 9/2002 | Inaba et al. | | 337/227 |

* cited by examiner

Primary Examiner—Ted Shooman

Assistant Examiner—Selina Sikder

(74) *Attorney, Agent, or Firm*—Birch, Stewart, Kolasch & Birch, LLP

(57) **CLAIM**

The ornamental design for a “fuse”, as shown and described.

DESCRIPTION

FIG. 1 is a perspective view of a “fuse” showing us new design;

FIG. 2 is a front view thereof;

FIG. 3 is a rear view thereof;

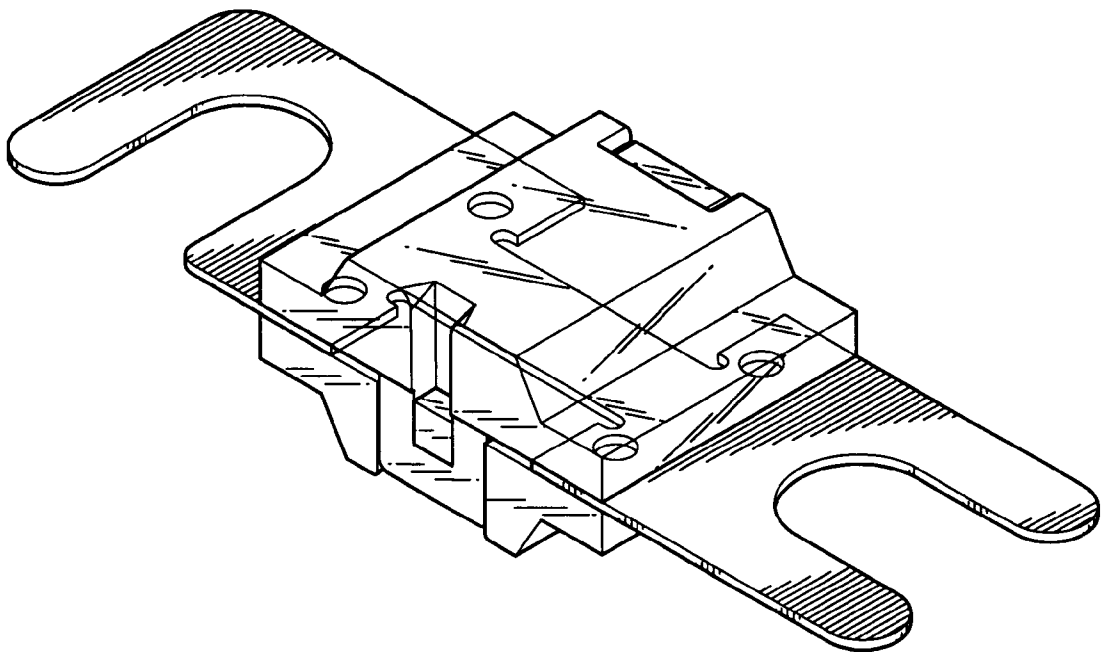
FIG. 4 is a left side view thereof;

FIG. 5 is a right side view thereof;

FIG. 6 is a top view thereof; and,

FIG. 7 is a bottom view thereof.

1 Claim, 4 Drawing Sheets



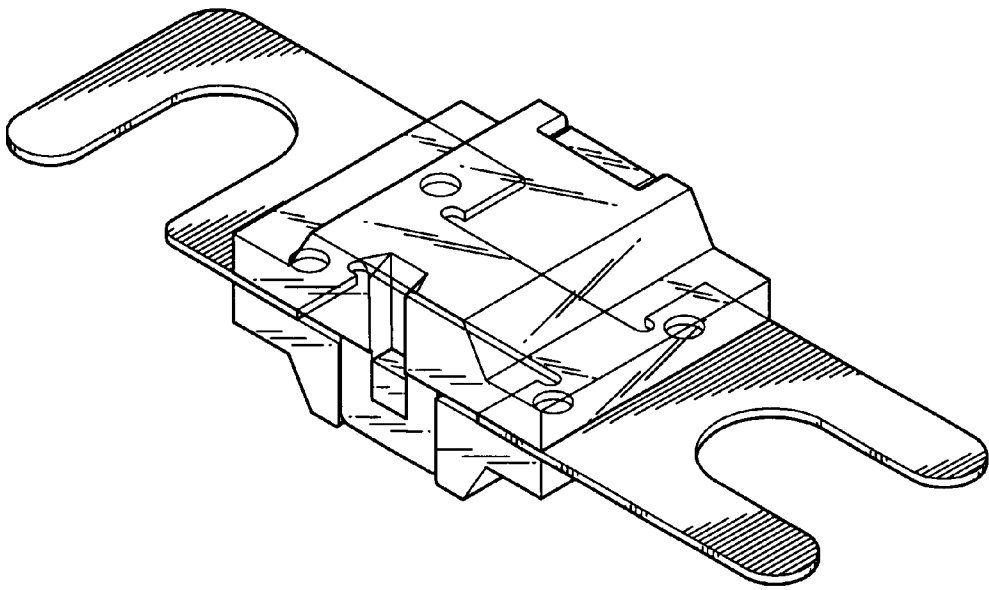


FIG. 1

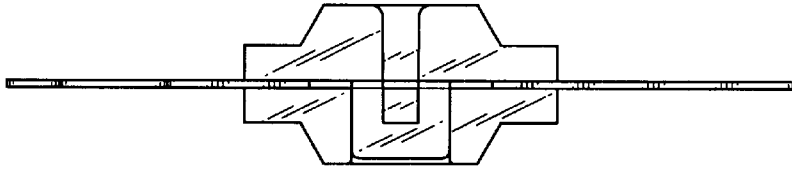


FIG. 2

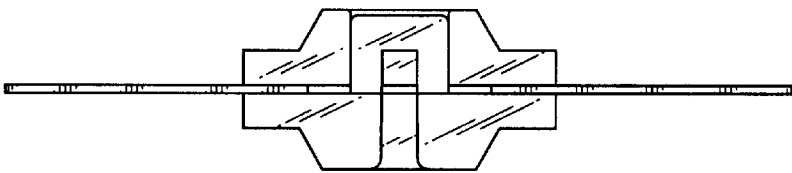


FIG. 3

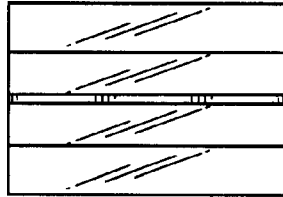


FIG. 4

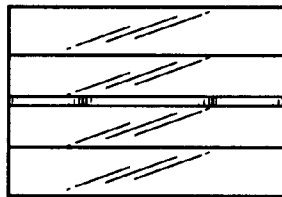


FIG. 5

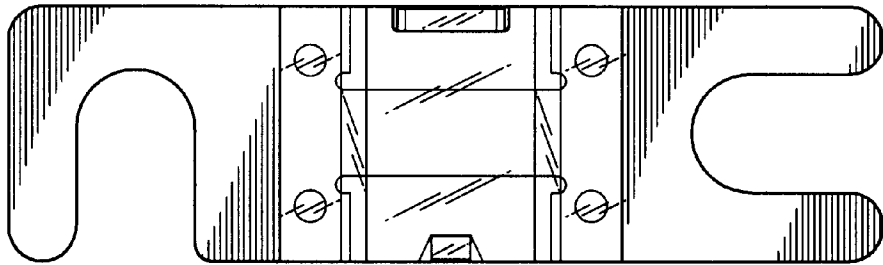


FIG. 6

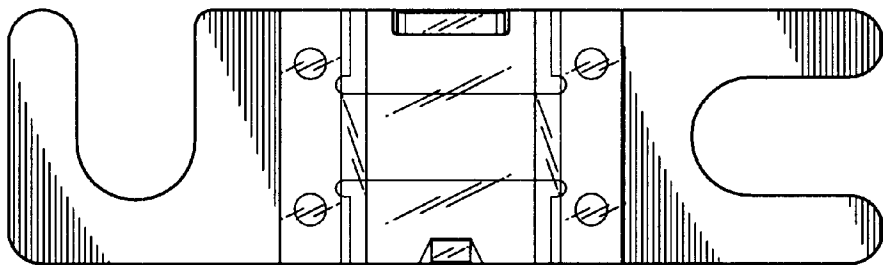


FIG. 7