



US00D688583S

(12) **United States Design Patent**
Bhang

(10) **Patent No.:** **US D688,583 S**

(45) **Date of Patent:** **** Aug. 27, 2013**

(54) **BRACELET INSERTED WITH MAGNETS**

D611,871 S * 3/2010 Djordjevic D11/38

* cited by examiner

(76) Inventor: **Min Young Bhang**, Seoul (KR)

Primary Examiner — Jennifer Rivard

Assistant Examiner — Melanie Pellegrini

(**) Term: **14 Years**

(74) *Attorney, Agent, or Firm* — Roylance, Abrams, Berdo & Goodman, L.L.P.

(21) Appl. No.: **29/391,376**

(57) **CLAIM**

The ornamental design for a bracelet inserted with magnets, as shown and described.

(22) Filed: **May 6, 2011**

(51) **LOC (9) Cl.** **11-01**

(52) **U.S. Cl.**

USPC **D11/3**

(58) **Field of Classification Search**

USPC D11/1-39; 63/3, 3.1, 3.2, 15, 15.1-15.4,
63/15.45, 15.5, 15.6, 15.65, 26-28, 900

See application file for complete search history.

DESCRIPTION

FIG. 1 is a top side perspective view of a bracelet inserted with magnets according to the present invention;

FIG. 2 is a front end view of the bracelet inserted with magnets illustrated in FIG. 1;

FIG. 3 is a rear end view of the bracelet inserted with magnets illustrated in FIGS. 1 and 2;

FIG. 4 is a left side view of the bracelet inserted with magnets illustrated in FIGS. 1-3;

FIG. 5 is a right side view of the bracelet inserted with magnets illustrated in FIGS. 1-4;

FIG. 6 is a top view of the bracelet inserted with magnets illustrated in FIGS. 1-5; and,

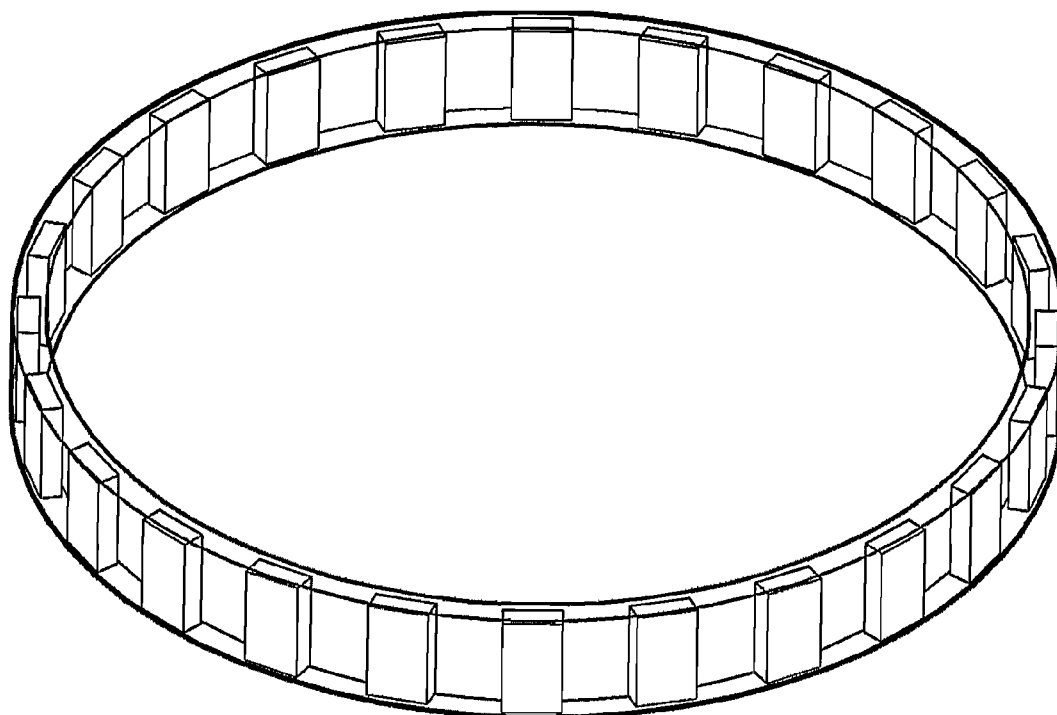
FIG. 7 is a bottom view of the bracelet inserted with magnets illustrated in FIGS. 1-6.

(56) **References Cited**

U.S. PATENT DOCUMENTS

D459,674 S *	7/2002	Razza	D11/39
D552,004 S *	10/2007	Varon	D11/3
D563,818 S *	3/2008	Varon	D11/3
7,371,472 B2 *	5/2008	Fukuda	63/3.2
D574,744 S *	8/2008	Larsen	D11/37
D590,736 S *	4/2009	Larsen	D11/38
D590,737 S *	4/2009	Larsen	D11/38
D603,744 S *	11/2009	Larsen	D11/38

1 Claim, 5 Drawing Sheets



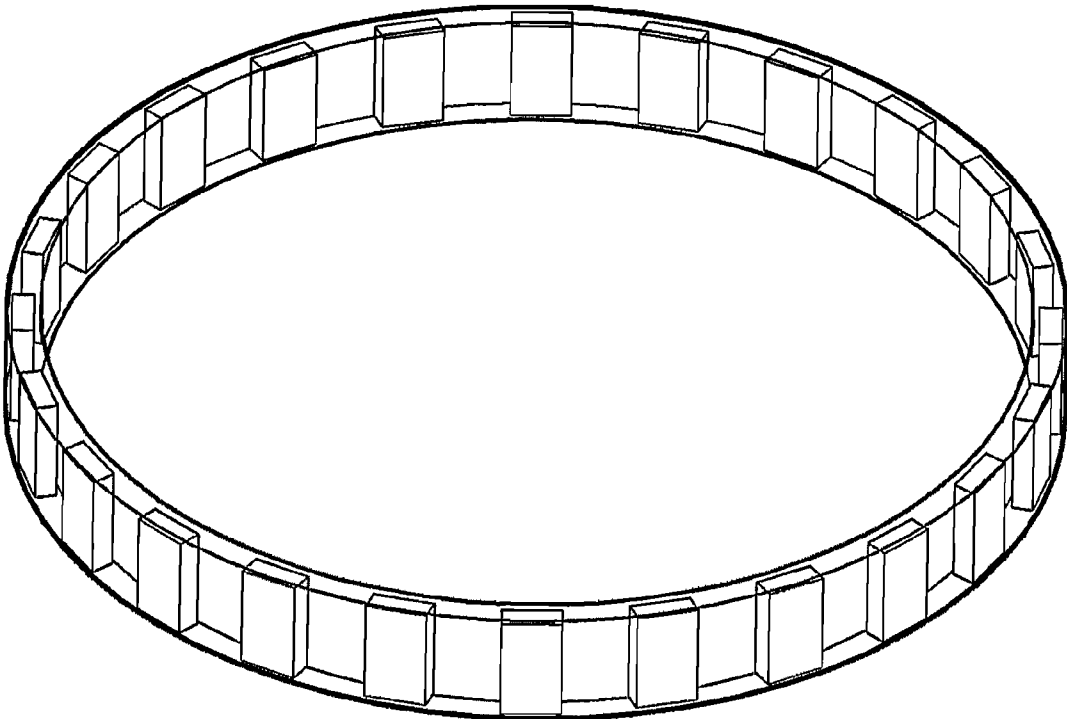


Figure 1

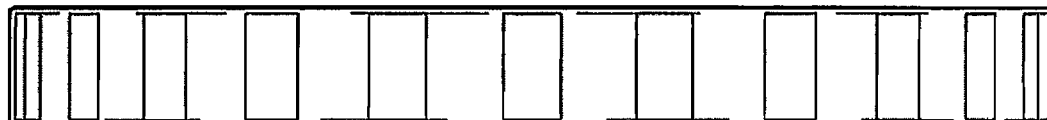


Figure 2

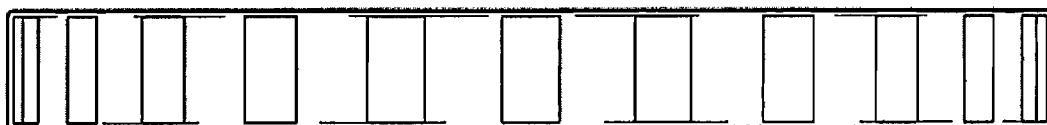


Figure 3

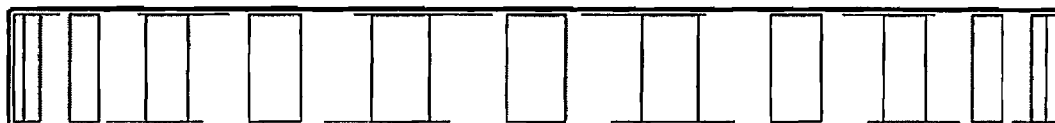


Figure 4

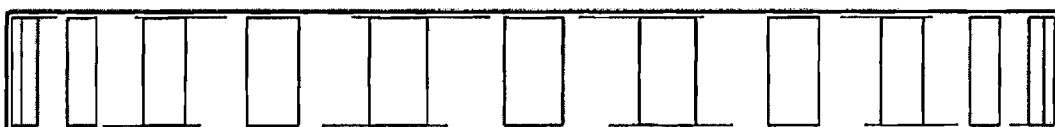


Figure 5

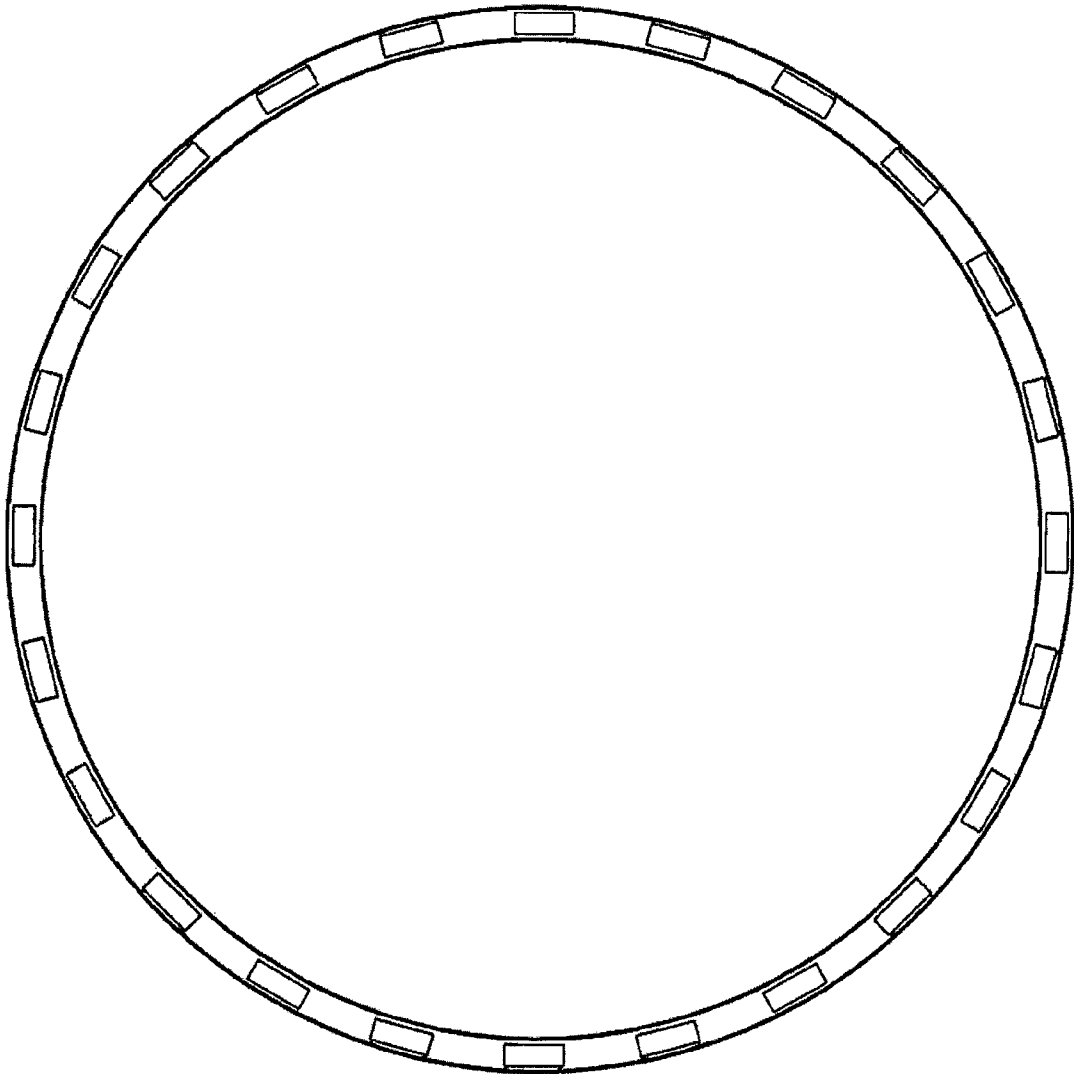


Figure 6

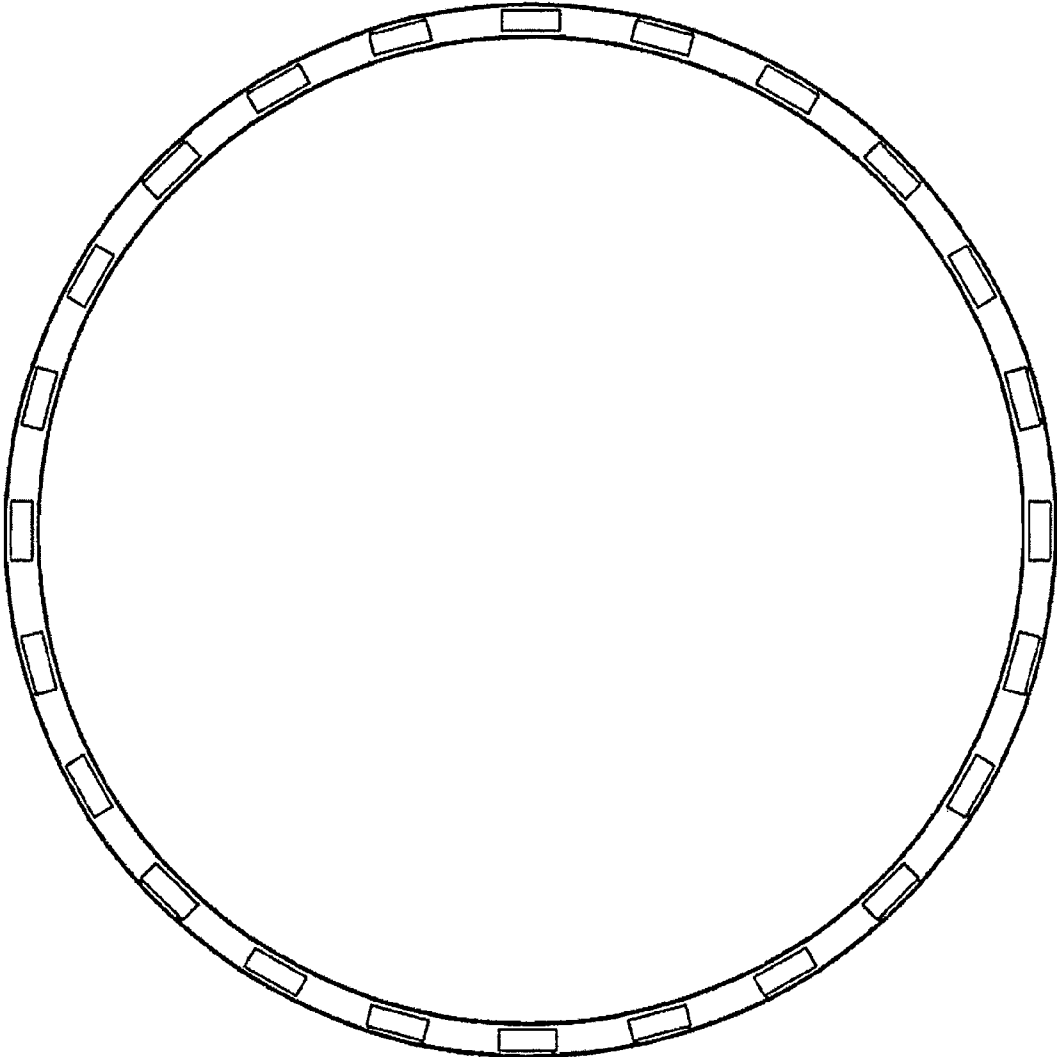


Figure 7