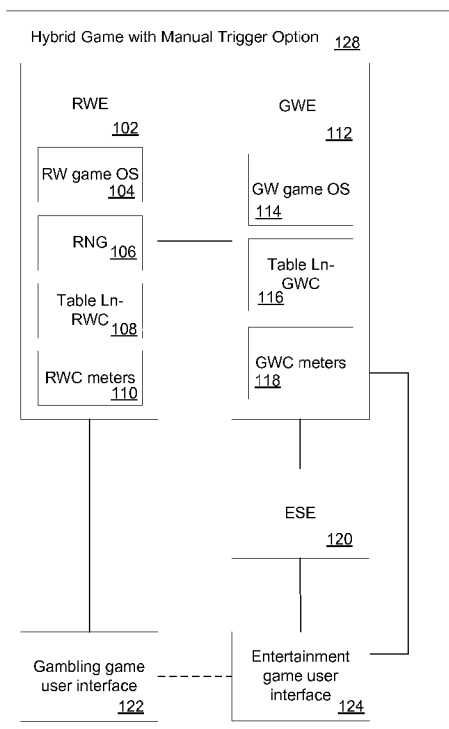




- (51) International Patent Classification: *A63F 9/24* (2006.01)
- (21) International Application Number: PCT/US2013/048987
- (22) International Filing Date: 1 July 2013 (01.07.2013)
- (25) Filing Language: English
- (26) Publication Language: English
- (30) Priority Data: 61/666,863 30 June 2012 (30.06.2012) US
- (71) Applicant: **GAMBLIT GAMING, LLC** [US/US]; 620 North Brand Boulevard, Suite 500, Glendale, CA 91203 (US).
- (72) Inventors: **ARNONE, Miles**; c/o Gamblit Gaming, Llc, 620 North Brand Boulevard, Suite 500, Glendale, CA 91203 (US). **ROSS, Caitlyn**; c/o Gamblit Gaming, Llc, 620 North Brand Boulevard, Suite 500, Glendale, CA 91203 (US).
- (74) Agent: **CIRE, Frank**; c/o Gamblit Gaming, LLC, 620 North Brand Boulevard, Suite 500, Glendale, CA 91203 (US).
- (81) Designated States (unless otherwise indicated, for every kind of national protection available): AE, AG, AL, AM, AO, AT, AU, AZ, BA, BB, BG, BH, BN, BR, BW, BY, BZ, CA, CH, CL, CN, CO, CR, CU, CZ, DE, DK, DM, DO, DZ, EC, EE, EG, ES, FI, GB, GD, GE, GH, GM, GT, HN, HR, HU, ID, IL, IN, IS, JP, KE, KG, KN, KP, KR, KZ, LA, LC, LK, LR, LS, LT, LU, LY, MA, MD, ME, MG, MK, MN, MW, MX, MY, MZ, NA, NG, NI, NO, NZ, OM, PA, PE, PG, PH, PL, PT, QA, RO, RS, RU, RW, SC, SD, SE, SG, SK, SL, SM, ST, SV, SY, TH, TJ, TM, TN, TR, TT, TZ, UA, UG, US, UZ, VC, VN, ZA, ZM, ZW.
- (84) Designated States (unless otherwise indicated, for every kind of regional protection available): ARIPO (BW, GH, GM, KE, LR, LS, MW, MZ, NA, RW, SD, SL, SZ, TZ, UG, ZM, ZW), Eurasian (AM, AZ, BY, KG, KZ, RU, TJ, TM), European (AL, AT, BE, BG, CH, CY, CZ, DE, DK, EE, ES, FI, FR, GB, GR, HR, HU, IE, IS, IT, LT, LU, LV,

[Continued on next page]

(54) Title: HYBRID GAME WITH MANUAL TRIGGER OPTION



(57) Abstract: Systems and method for providing a gambling hybrid game having manual triggering of gambling events is disclosed. The systems and method involve providing a proposition of a gambling event to a user and receiving an input accepting the proposition from a user. The gambling event that is associated with the proposition is then resolved. The results of the gambling event are then determined and the wagers are resolved. The results of the gambling event are then used to change variables in a set of game variables that are applied in the game.

FIG. 1

WO 2014/005158 A3

MC, MK, MT, NL, NO, PL, PT, RO, RS, SE, SI, SK, (88) **Date of publication of the international search report:**
SM, TR), OAPI (BF, BJ, CF, CG, CI, CM, GA, GN, GQ, 13 March 2014
GW, KM, ML, MR, NE, SN, TD, TG).

Published:

— *with international search report (Art. 21(3))*

INTERNATIONAL SEARCH REPORT

International application No.

PCT/US2013/048987

A. CLASSIFICATION OF SUBJECT MATTER

IPC(8) - A63F 9/24 (2013.01)

USPC - 463/1

According to International Patent Classification (IPC) or to both national classification and IPC

B. FIELDS SEARCHED

Minimum documentation searched (classification system followed by classification symbols)

IPC(8) - A63F 9/00, 9/24, 13/00; G07F 17/00, 17/32 (2013.01)

USPC - 463/1, 16, 25

Documentation searched other than minimum documentation to the extent that such documents are included in the fields searched

CPC - A63F 9/24, 13/00; G07F 17/326, 17/3267, 13/3269 (2013.01)

Electronic data base consulted during the international search (name of data base and, where practicable, search terms used)

PatBase, Google Patents, Google

C. DOCUMENTS CONSIDERED TO BE RELEVANT

Category*	Citation of document, with indication, where appropriate, of the relevant passages	Relevant to claim No.
X	WO 2011/109454 A1 (ARNONE et al) 09 September 2011 (09.09.2011) entire document	1-18
A	US 2006/0040735 A1 (BAERLOCHER) 23 February 2006 (23.02.2006) entire document	1-18

Further documents are listed in the continuation of Box C.

- | | |
|---|--|
| * Special categories of cited documents: | "T" later document published after the international filing date or priority date and not in conflict with the application but cited to understand the principle or theory underlying the invention |
| "A" document defining the general state of the art which is not considered to be of particular relevance | "X" document of particular relevance; the claimed invention cannot be considered novel or cannot be considered to involve an inventive step when the document is taken alone |
| "E" earlier application or patent but published on or after the international filing date | "Y" document of particular relevance; the claimed invention cannot be considered to involve an inventive step when the document is combined with one or more other such documents, such combination being obvious to a person skilled in the art |
| "L" document which may throw doubts on priority claim(s) or which is cited to establish the publication date of another citation or other special reason (as specified) | "&" document member of the same patent family |
| "O" document referring to an oral disclosure, use, exhibition or other means | |
| "P" document published prior to the international filing date but later than the priority date claimed | |

Date of the actual completion of the international search 08 December 2013	Date of mailing of the international search report 16 DEC 2013
Name and mailing address of the ISA/US Mail Stop PCT, Attn: ISA/US, Commissioner for Patents P.O. Box 1450, Alexandria, Virginia 22313-1450 Facsimile No. 571-273-3201	Authorized officer: Blaine R. Copenheaver PCT Helpdesk: 571-272-4300 PCT OSP: 571-272-7774