

CORRECTED VERSION

(19) World Intellectual Property Organization
International Bureau



(10) International Publication Number
WO 2019/079104 A8

(43) International Publication Date
25 April 2019 (25.04.2019)

(51) International Patent Classification:
A61F 2/40 (2006.01) A61F 2/46 (2006.01)

(21) International Application Number:
PCT/US2018/055490

(22) International Filing Date:
11 October 2018 (11.10.2018)

(25) Filing Language: English

(26) Publication Language: English

(30) Priority Data:
62/572,920 16 October 2017 (16.10.2017) US

(71) Applicant: IMASCAP SAS [FR/FR]; 65 Place Copernic, F-29280 Plouzane (FR).

(72) Inventor; and
(71) Applicant (for MN only): BALL, Robert J. [US/US]; 9912 Beach Ridge Court, West Olive, Michigan 49460 (US).

(72) Inventor: SLONE, William J.; 2162 W. 900 South, Silver Lake, Indiana 46982 (US).

(74) Agent: DELANEY, Karoline, A.; Knobbe, Martens, Olson & Bear, LLP, 2040 Main Street, 14th Floor, Irvine, California 92614 (US).

(81) Designated States (unless otherwise indicated, for every kind of national protection available): AE, AG, AL, AM, AO, AT, AU, AZ, BA, BB, BG, BH, BN, BR, BW, BY, BZ, CA, CH, CL, CN, CO, CR, CU, CZ, DE, DJ, DK, DM, DO, DZ, EC, EE, EG, ES, FI, GB, GD, GE, GH, GM, GT, HN, HR, HU, ID, IL, IN, IR, IS, JO, JP, KE, KG, KH, KN, KP,

(54) Title: SHOULDER IMPLANTS

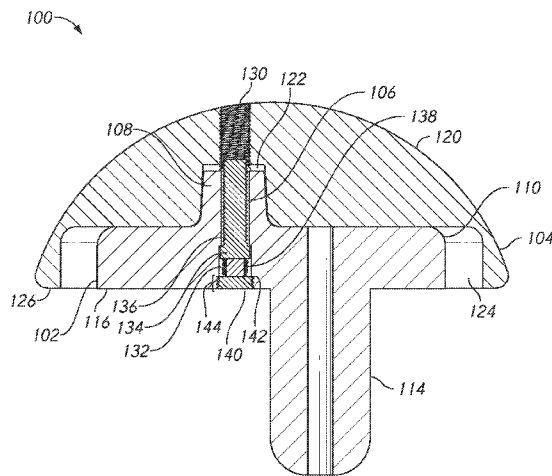


FIG. 6

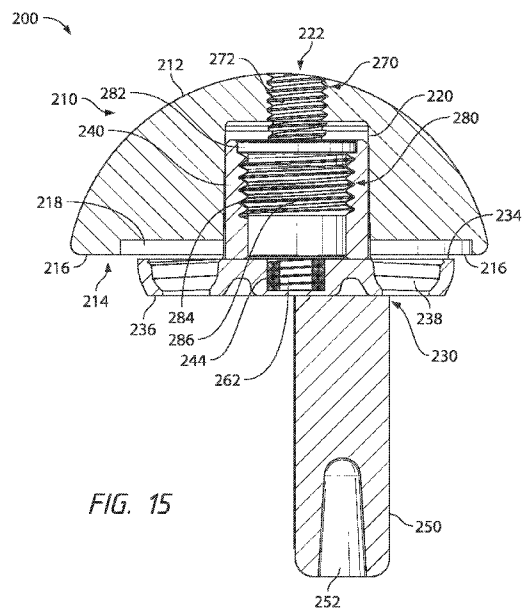


FIG. 15

(57) Abstract: An implant is disclosed that has a base member, an articulating member, and a coupling portion that secures the base member to the articulating member. The implant can be a shoulder implant (100, 200, 300) that has a baseplate (102, 230, 310), an articulating component (104, 210), and a fixation component (106, 270, 342). The baseplate includes a first side (110, 234, 314) with a projection (108, 240, 320) that has a first Morse taper and may be offset from a center line of the baseplate and a second side (116, 236, 316) that has a post or stem (114, 250, 330) that is offset from the center line of the baseplate. The articulating component includes a cavity (122, 220) with a second Morse taper that is offset from a center line of the articulating component. The articulating component is attachable to the baseplate when the projection is received in the cavity of the articulation component. A threaded through hole (130, 222) extends from the cavity of the articulating component to a second, convex side or articulating surface (120, 212) thereof. The



WO 2019/079104 A8

KR, KW, KZ, LA, LC, LK, LR, LS, LU, LY, MA, MD, ME, MG, MK, MN, MW, MX, MY, MZ, NA, NG, NI, NO, NZ, OM, PA, PE, PG, PH, PL, PT, QA, RO, RS, RU, RW, SA, SC, SD, SE, SG, SK, SL, SM, ST, SV, SY, TH, TJ, TM, TN, TR, TT, TZ, UA, UG, US, UZ, VC, VN, ZA, ZM, ZW.

- (84) Designated States** (*unless otherwise indicated, for every kind of regional protection available*): ARIPO (BW, GH, GM, KE, LR, LS, MW, MZ, NA, RW, SD, SL, ST, SZ, TZ, UG, ZM, ZW), Eurasian (AM, AZ, BY, KG, KZ, RU, TJ, TM), European (AL, AT, BE, BG, CH, CY, CZ, DE, DK, EE, ES, FI, FR, GB, GR, HR, HU, IE, IS, IT, LT, LU, LV, MC, MK, MT, NL, NO, PL, PT, RO, RS, SE, SI, SK, SM, TR), OAPI (BF, BJ, CF, CG, CI, CM, GA, GN, GQ, GW, KM, ML, MR, NE, SN, TD, TG).

Declarations under Rule 4.17:

- *as to applicant's entitlement to apply for and be granted a patent (Rule 4.17(ii))*
- *as to the applicant's entitlement to claim the priority of the earlier application (Rule 4.17(iii))*

Published:

- *with international search report (Art. 21(3))*

(88) Date of publication of the international search report:

04 July 2019 (04.07.2019)

(48) Date of publication of this corrected version:

16 January 2020 (16.01.2020)

(15) Information about Correction:

see Notice of 16 January 2020 (16.01.2020)

through hole can be aligned with the cavity. The fixation component (106, 270, 342) can engage the through hole and is contained within a cavity (132, 322, 242) of the baseplate by a spring (138, 262, 360) and a cap (140), a second fixation member (280), or an engagement member (370).