



US00D722316S

(12) **United States Design Patent**
Seaberg

(10) **Patent No.:** **US D722,316 S**

(45) **Date of Patent:** **** Feb. 10, 2015**

(54) **SEPARABLE AND ROTATABLE INPUT DEVICE**

(76) Inventor: **David Seaberg**, Austin, TX (US)

(**) Term: **14 Years**

(21) Appl. No.: **29/366,086**

(22) Filed: **Jul. 19, 2010**

(51) **LOC (10) Cl.** **14-02**

(52) **U.S. Cl.**

USPC **D14/388**

(58) **Field of Classification Search**

USPC D14/388, 389, 454; D1/100, 127, 130,
D1/199; D11/3, 4, 5; D6/309, 300;
D25/117, 119, 136, 155; D21/324,
D21/333; D10/104.1, 106.6, 106.7; 345/156

See application file for complete search history.

(56) **References Cited**

U.S. PATENT DOCUMENTS

D10,121 S *	7/1877	Pattberg	D6/309
D15,850 S *	2/1885	Brownwell	D6/309
808,805 A *	1/1906	Bagnall	63/8
4,991,409 A *	2/1991	Creates	63/15.7
D347,831 S *	6/1994	Lam	D14/454
D358,633 S *	5/1995	McKeone	D23/304
D379,470 S *	5/1997	Gilbert	D18/56
D405,381 S *	2/1999	Perrin et al.	D11/4
D430,204 S *	8/2000	Berracasa	D19/32
D449,244 S *	10/2001	Ginzel	D10/106.6
D495,465 S *	9/2004	Tepper et al.	D1/199
D497,567 S *	10/2004	Hardy	D11/5
D515,450 S *	2/2006	Schiesl-Griesinger	D11/4
D519,569 S *	4/2006	Kiyono et al.	D21/333
D574,788 S *	8/2008	Yamamoto et al.	D13/164
D610,751 S *	2/2010	Kokmeyer	D30/152

D615,888 S *	5/2010	Ikeda et al.	D10/70
D616,441 S *	5/2010	Skaf et al.	D14/400
D619,484 S *	7/2010	Ikeda et al.	D10/106.7
D619,485 S *	7/2010	Ikeda et al.	D10/106.7
D624,049 S *	9/2010	Liu	D14/217
D628,577 S *	12/2010	Marks et al.	D14/412
D631,226 S *	1/2011	Bearson et al.	D1/129
2002/0129619 A1 *	9/2002	Wolff	63/7
2011/0115702 A1 *	5/2011	Seaberg	345/156
2012/0313848 A1 *	12/2012	Galor et al.	345/156

* cited by examiner

Primary Examiner — Deanna L Pratt

(57) **CLAIM**

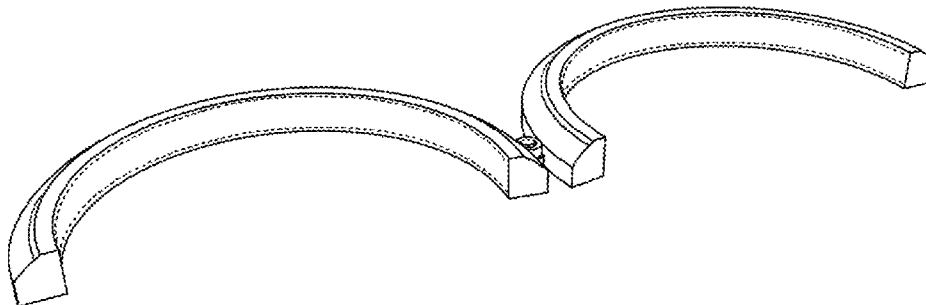
The ornamental design for a separable and rotatable input device, as shown and described.

DESCRIPTION

FIG. 1 is a front perspective view of a separable and rotatable input device showing my new design;
 FIG. 2 is a top side view thereof;
 FIG. 3 is a top side view in a separated position thereof;
 FIG. 4 is a top side view in a rotated position thereof;
 FIG. 5 is a rear view thereof;
 FIG. 6 is a front view thereof;
 FIG. 7 is a right side view thereof;
 FIG. 8 is a left side view thereof;
 FIG. 9 is a front perspective view showing an attaching and rotating mechanism thereof;
 FIG. 10 is a rear perspective view showing an attaching and rotating mechanism thereof; and,
 FIG. 11 is a bottom side view.

The broken lines in the drawings illustrate the boundaries of the claimed design. Both the boundary lines and the areas therewithin form no part of the claimed design.

1 Claim, 6 Drawing Sheets



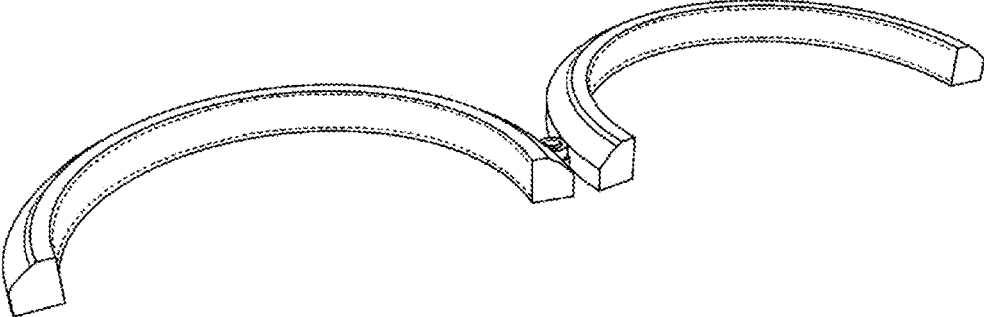


Figure 1

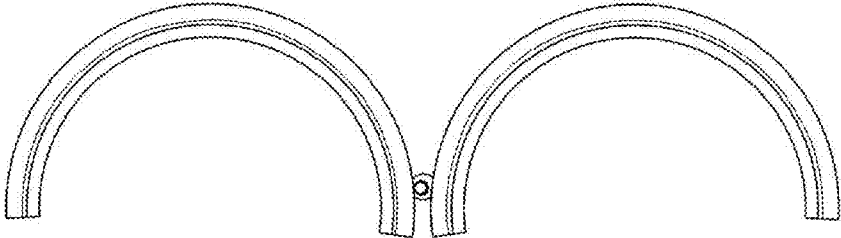


Figure 2

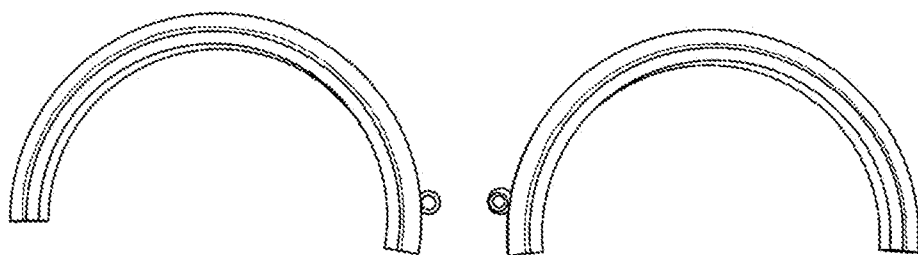


Figure 3

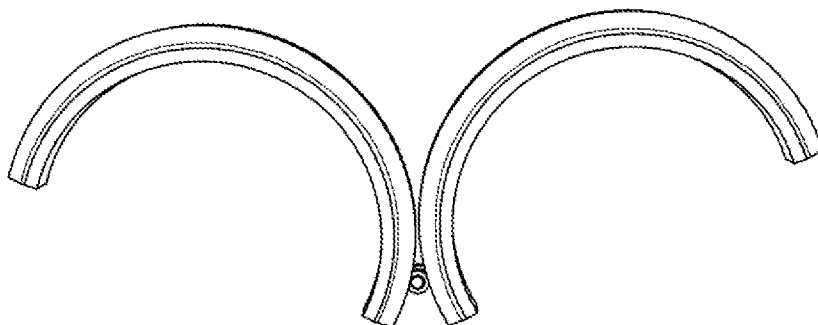


Figure 4



Figure 5



Figure 6

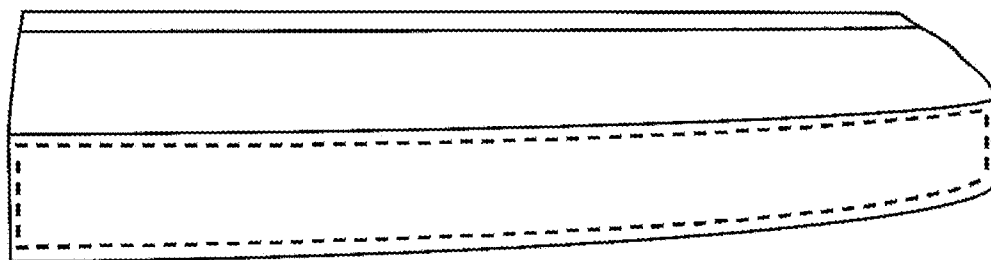


Figure 7

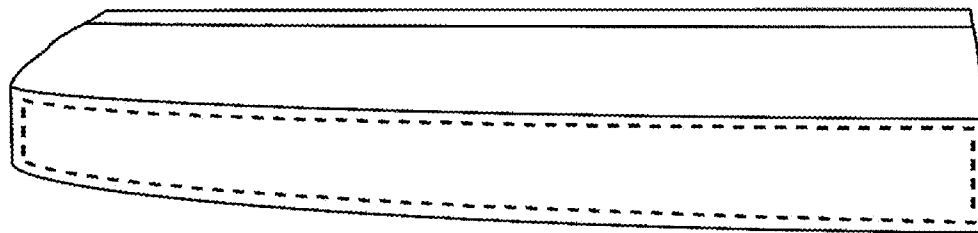


Figure 8

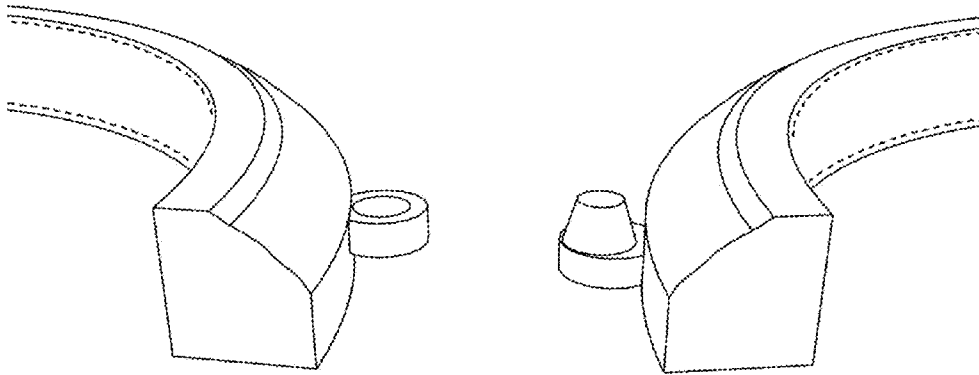


Figure 9

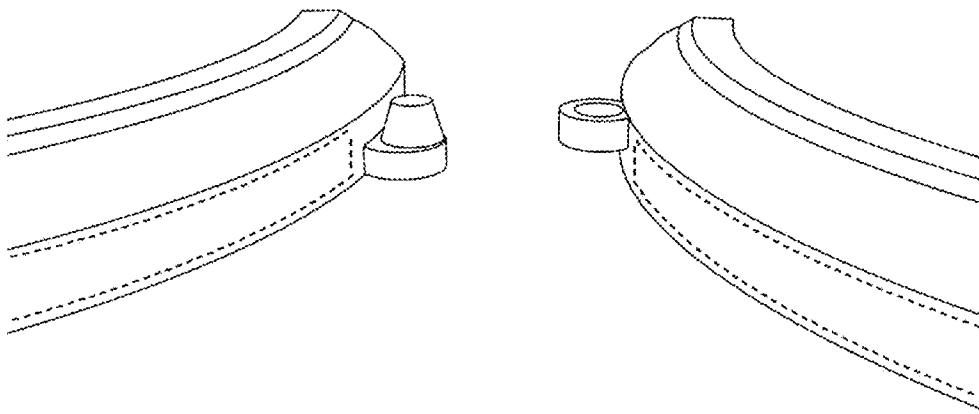


Figure 10

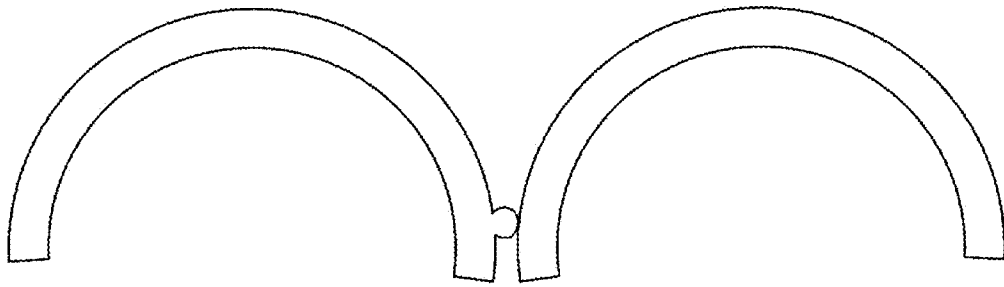


Figure 11