

(19) World Intellectual Property Organization  
International Bureau



(43) International Publication Date  
28 February 2008 (28.02.2008)

PCT

(10) International Publication Number  
WO 2008/024644 A3

(51) International Patent Classification:  
G06F 21/20 (2006.01) G06F 13/38 (2006.01)

(21) International Application Number:  
PCT/US2007/075725

(22) International Filing Date: 10 August 2007 (10.08.2007)

(25) Filing Language: English

(26) Publication Language: English

(30) Priority Data:  
11/467,070 24 August 2006 (24.08.2006) US  
11/467,063 24 August 2006 (24.08.2006) US

(71) Applicant (for all designated States except US): SAN-DISK CORPORATION [US/US]; 601 McCarthy Boulevard, Milpitas, California 95035 (US).

(72) Inventors; and

(75) Inventors/Applicants (for US only): CEDAR, Yoram [US/US]; 10481 Stokes Avenue, Cupertino, California 95014 (US). GONZALEZ, Carlos, J. [US/US]; 249 Mattson Avenue, Los Gatos, California 95032 (US).

(74) Agents: FANUCCI, Allan, A. et al.; Winston & Strawn LLP, Patent Department, 1700 K Street, N.W., Washington, District Of Columbia 20006-3817 (US).

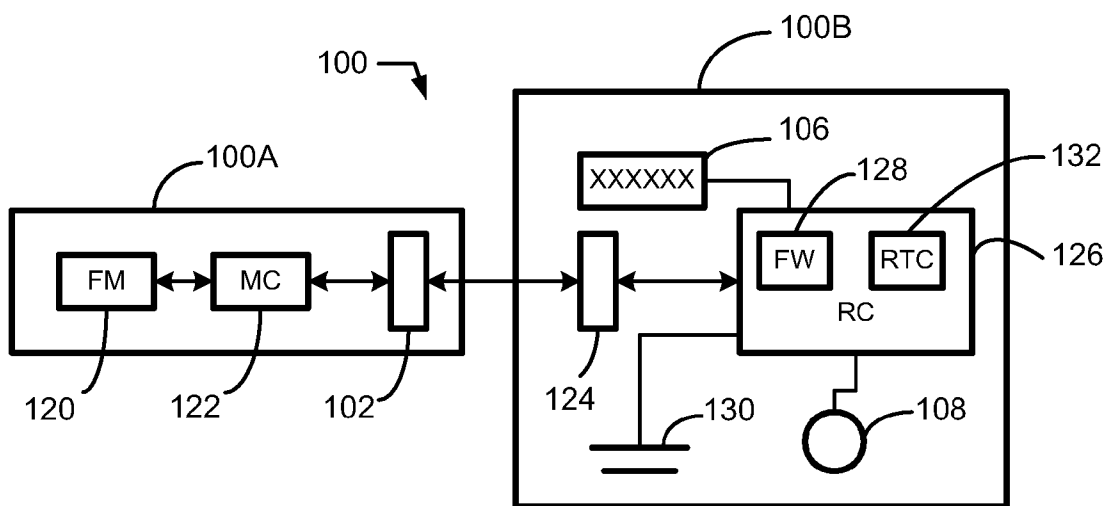
(81) Designated States (unless otherwise indicated, for every kind of national protection available): AE, AG, AL, AM, AT, AU, AZ, BA, BB, BG, BH, BR, BW, BY, BZ, CA, CH, CN, CO, CR, CU, CZ, DE, DK, DM, DO, DZ, EC, EE, EG, ES, FI, GB, GD, GE, GH, GM, GT, HN, HR, HU, ID, IL, IN, IS, JP, KE, KG, KM, KN, KP, KR, KZ, LA, LC, LK, LR, LS, LT, LU, LY, MA, MD, ME, MG, MK, MN, MW, MX, MY, MZ, NA, NG, NI, NO, NZ, OM, PG, PH, PL, PT, RO, RS, RU, SC, SD, SE, SG, SK, SL, SM, SV, SY, TJ, TM, TN, TR, TT, TZ, UA, UG, US, UZ, VC, VN, ZA, ZM, ZW.

(84) Designated States (unless otherwise indicated, for every kind of regional protection available): ARIPO (BW, GH, GM, KE, LS, MW, MZ, NA, SD, SL, SZ, TZ, UG, ZM, ZW), Eurasian (AM, AZ, BY, KG, KZ, MD, RU, TJ, TM), European (AT, BE, BG, CH, CY, CZ, DE, DK, EE, ES, FI, FR, GB, GR, HU, IE, IS, IT, LT, LU, LV, MC, MT, NL, PL, PT, RO, SE, SI, SK, TR), OAPI (BF, BJ, CF, CG, CI, CM, GA, GN, GQ, GW, ML, MR, NE, SN, TD, TG).

Published:  
— with international search report  
— before the expiration of the time limit for amending the claims and to be republished in the event of receipt of amendments

(88) Date of publication of the international search report:  
29 May 2008

(54) Title: READER FOR ONE TIME PASSWORD GENERATING DEVICE



(57) Abstract: A portable one time password reader for use in two factor authentication systems and methods allows for the display of a one time password when coupled to a device that generates the value of the password. The reader of the present invention provides power and if appropriate a real time clock signal to these devices in place of the host, so that the devices can generate the real time password without being connected to the host. Therefore, when connected to the generating device, the reader functions not only to display the value, but also to enable generation of the value. The reader may also be coupled to the host and device simultaneously and submit the values to the host and entities coupled thereto.

WO 2008/024644 A3

**INTERNATIONAL SEARCH REPORT**

International application No  
PCT/US2007/075725

**A. CLASSIFICATION OF SUBJECT MATTER**  
INV. G06F21/20 G06F13/38

According to International Patent Classification (IPC) or to both national classification and IPC

**B. FIELDS SEARCHED**

Minimum documentation searched (classification system followed by classification symbols)  
G06F

Documentation searched other than minimum documentation to the extent that such documents are included in the fields searched

Electronic data base consulted during the international search (name of data base and, where practical, search terms used)

EPO-Internal

**C. DOCUMENTS CONSIDERED TO BE RELEVANT**

Category*	Citation of document, with indication, where appropriate, of the relevant passages	Relevant to claim No.
X	EP 1 139 200 A (TRADECARD INC [US]) 4 October 2001 (2001-10-04) abstract figure 1 paragraphs [0012] - [0015], [0022], [0029], [0034], [0043]	1-30
X	US 2006/083228 A1 (ONG PENG T [SG] ET AL) 20 April 2006 (2006-04-20) paragraphs [0051], [0119], [0120], [0131], [0158]	1, 9, 23
A	US 2006/136739 A1 (BROCK CHRISTIAN [US] ET AL) 22 June 2006 (2006-06-22) paragraphs [0090] - [0100]	7
	-/--	

Further documents are listed in the continuation of Box C.

See patent family annex.

\* Special categories of cited documents :

- \*A\* document defining the general state of the art which is not considered to be of particular relevance
- \*E\* earlier document but published on or after the international filing date
- \*L\* document which may throw doubts on priority claim(s) or which is cited to establish the publication date of another citation or other special reason (as specified)
- \*O\* document referring to an oral disclosure, use, exhibition or other means
- \*P\* document published prior to the international filing date but later than the priority date claimed

- \*T\* later document published after the international filing date or priority date and not in conflict with the application but cited to understand the principle or theory underlying the invention
- \*X\* document of particular relevance; the claimed invention cannot be considered novel or cannot be considered to involve an inventive step when the document is taken alone
- \*Y\* document of particular relevance; the claimed invention cannot be considered to involve an inventive step when the document is combined with one or more other such documents, such combination being obvious to a person skilled in the art.
- \*Z\* document member of the same patent family

Date of the actual completion of the international search

1 April 2008

Date of mailing of the international search report

11/04/2008

Name and mailing address of the ISA/  
European Patent Office, P.B. 5818 Patentlaan 2  
NL - 2280 HV Rijswijk  
Tel. (+31-70) 340-2040, Tx. 31 651 epo nl,  
Fax: (+31-70) 340-3016

Authorized officer

Veillas, Erik

## INTERNATIONAL SEARCH REPORT

International application No

PCT/US2007/075725

C(Continuation). DOCUMENTS CONSIDERED TO BE RELEVANT		
Category*	Citation of document, with indication, where appropriate, of the relevant passages	Relevant to claim No.
A	GB 2 414 612 A (HSU-LI HSIU-CHU [TW]) 30 November 2005 (2005-11-30) abstract	1-30
A	EP 1 557 741 A (SONY CORP [JP]) 27 July 2005 (2005-07-27) abstract paragraphs [0013], [0048] - [0050], [0073] - [0076]	1-30

# INTERNATIONAL SEARCH REPORT

Information on patent family members

International application No <b>PCT/US2007/075725</b>
--

Patent document cited in search report		Publication date	Patent family member(s)	Publication date
EP 1139200	A	04-10-2001	NONE	
US 2006083228	A1	20-04-2006	WO 2006043904 A1	27-04-2006
US 2006136739	A1	22-06-2006	NONE	
GB 2414612	A	30-11-2005	NONE	
EP 1557741	A	27-07-2005	JP 2005209038 A US 2005182973 A1	04-08-2005 18-08-2005