



US00D725501S

(12) **United States Design Patent**
Jamin

(10) **Patent No.:** **US D725,501 S**

(45) **Date of Patent:** **** Mar. 31, 2015**

(54) **WATCH**

(75) Inventor: **Mathieu Jamin**, Paris (FR)

(73) Assignee: **Christian Dior Couture, S.A.**, Paris (FR)

(**) Term: **14 Years**

(21) Appl. No.: **29/425,412**

(22) Filed: **Jun. 22, 2012**

(30) **Foreign Application Priority Data**

Dec. 23, 2011 (WO) DM/077 630

(51) **LOC (10) Cl.** **10-02**

(52) **U.S. Cl.**

USPC **D10/39; D10/124; D10/126**

(58) **Field of Classification Search**

CPC G04B 19/00; G04B 19/025; G04B 19/04;
G04B 19/06; G04B 19/24; G04B 19/241;
G04B 29/243; G04B 19/24313; G04B 37/00;
G04B 37/0008; G04B 37/18

USPC D10/30-39, 122-132, 1-29; 368/10,
368/15-19, 21, 28, 29, 34-40, 76-78, 80,
368/82, 88, 223, 228, 276, 277, 281, 294,
368/295, 308

See application file for complete search history.

(56) **References Cited**

U.S. PATENT DOCUMENTS

D4,649 S * 2/1871 Gale D10/124
5,177,712 A * 1/1993 Kakizawa 368/28

D373,957 S *	9/1996	Mareschal	D10/30
D423,953 S *	5/2000	Kauffmann	D10/39
7,215,601 B2 *	5/2007	Plancon et al.	368/10
7,215,602 B2 *	5/2007	Hirano et al.	368/28
D562,716 S *	2/2008	Kume	D10/126
D583,259 S *	12/2008	Arpa	D10/39
D601,909 S *	10/2009	Behling	D10/38
D625,639 S *	10/2010	Kamata	D10/126
2006/0140057 A1 *	6/2006	Hirano et al.	368/28
2008/0106979 A1 *	5/2008	Bron et al.	368/34

* cited by examiner

Primary Examiner — Martie K Holtje

(74) *Attorney, Agent, or Firm* — Philip H. Gottfried; Amster, Rothstein & Ebenstein LLP

(57) **CLAIM**

The ornamental design for a watch, substantially as shown and described.

DESCRIPTION

FIG. 1 is a top plan view of a watch showing my new design; FIG. 2 is a bottom plan view thereof; FIG. 3 is a front elevational view thereof; FIG. 4 is a rear elevational view thereof; FIG. 5 is a right side elevational view thereof; FIG. 6 is a top, right front perspective view thereof; FIG. 7 is a left side elevational view thereof; and, FIG. 8 is a right rear perspective view thereof.

The watch band depicted by broken lines has been shown for the purpose of illustrating environment that forms no part of the claimed design.

1 Claim, 8 Drawing Sheets

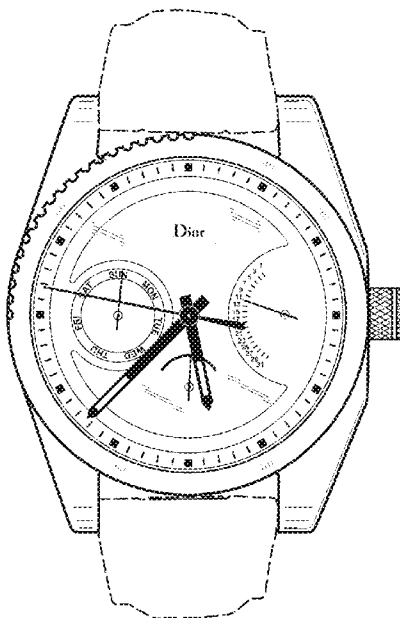


FIG. 1

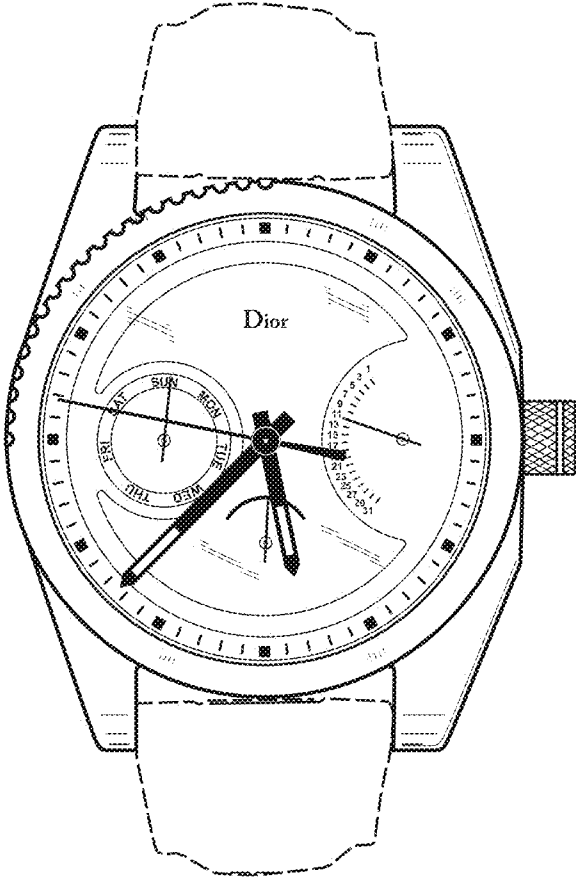


FIG. 2

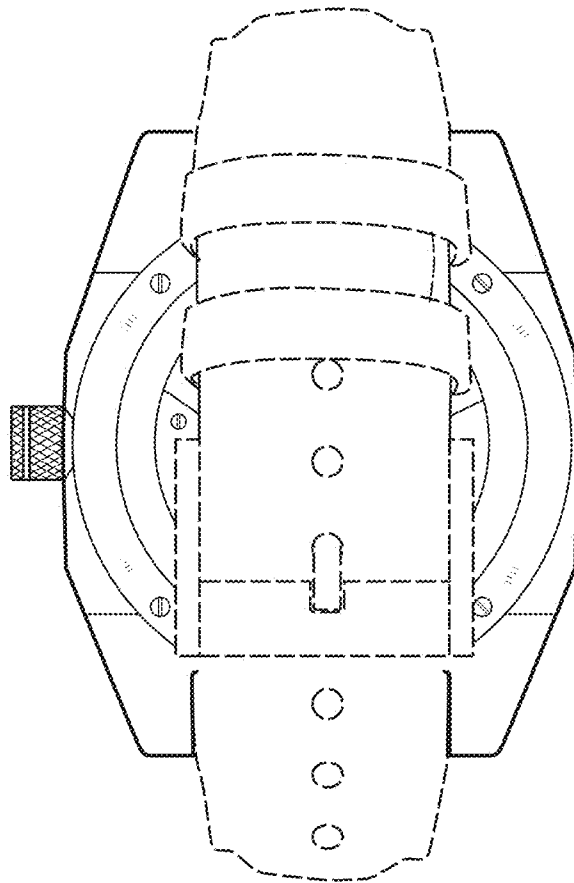


FIG. 3

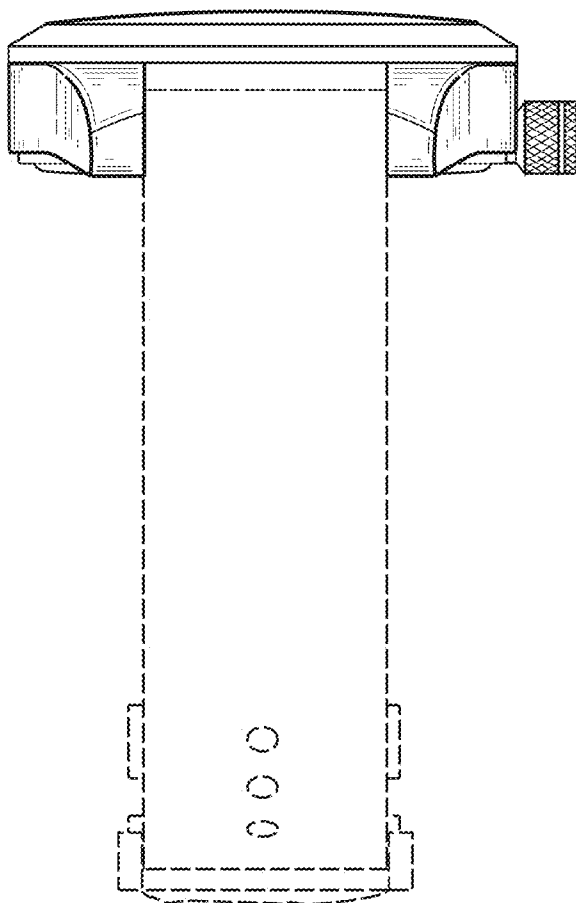


FIG. 4

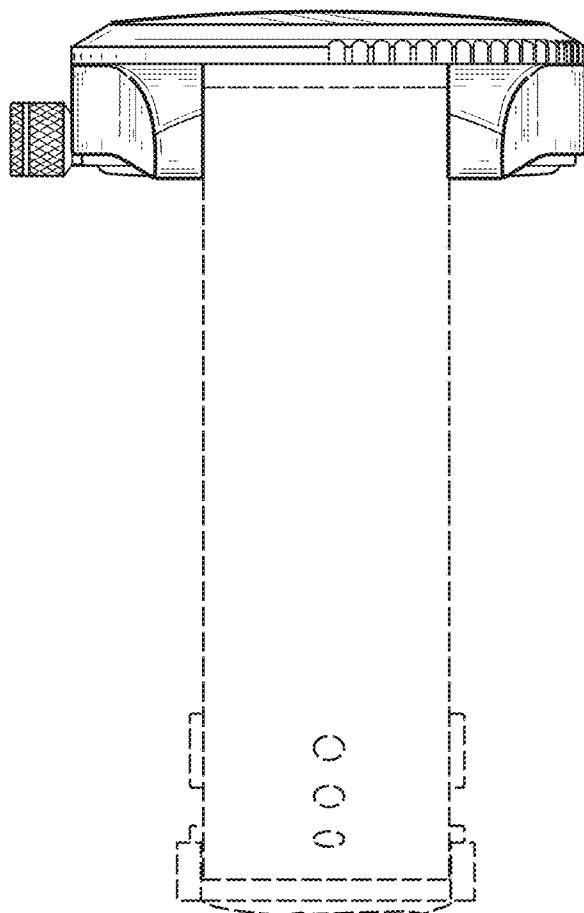


FIG. 5

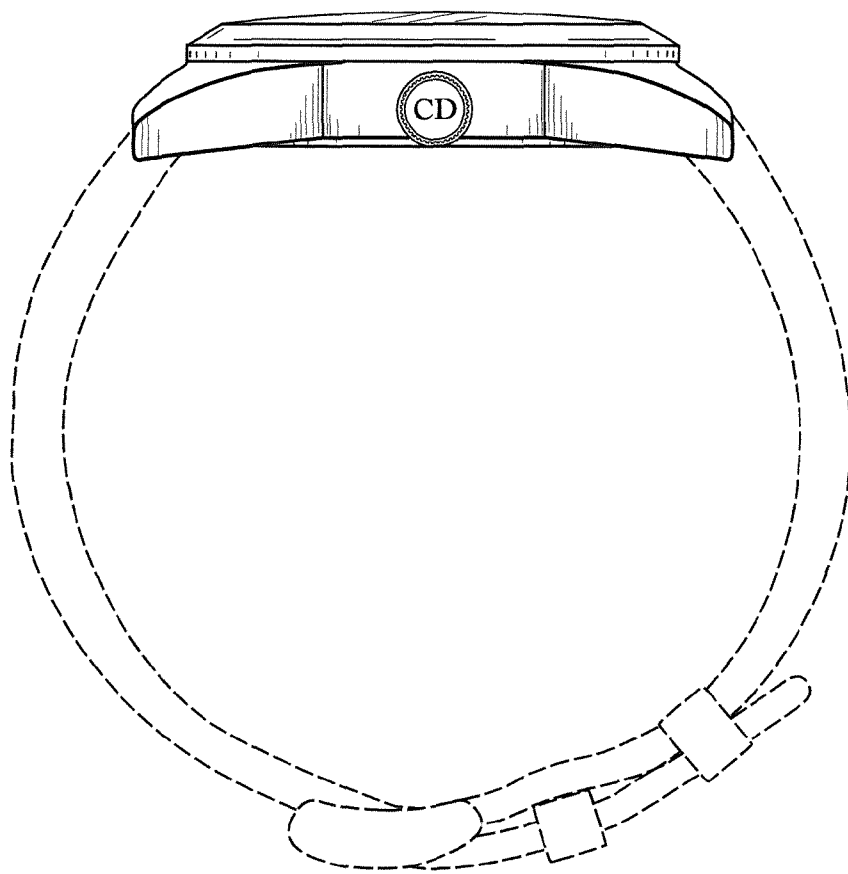


FIG. 6

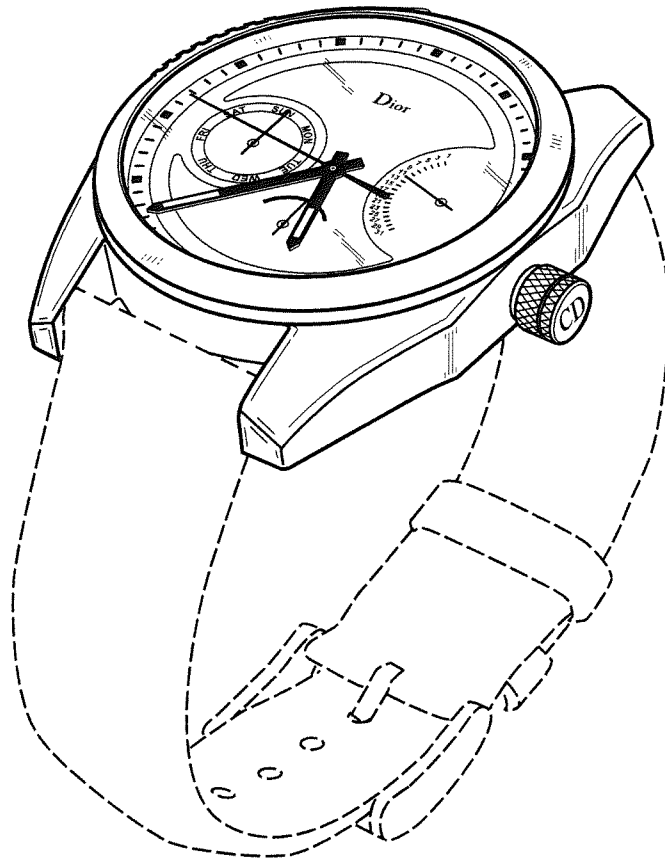


FIG. 7

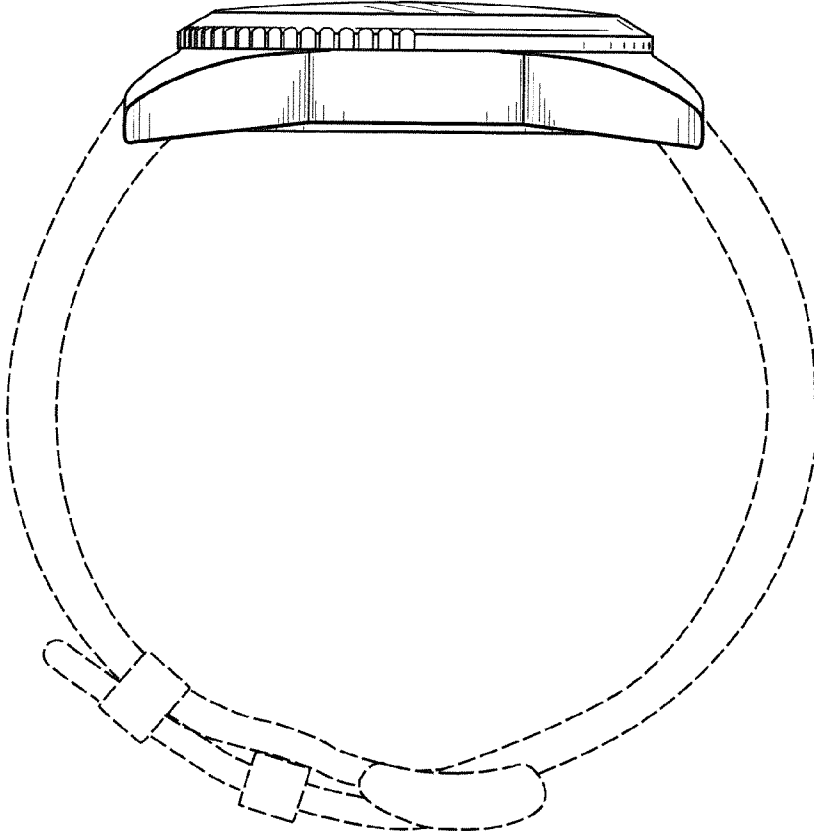


FIG. 8

