

(19) World Intellectual Property Organization
International Bureau



(43) International Publication Date
13 December 2007 (13.12.2007)

PCT

(10) International Publication Number
WO 2007/143503 A3

(51) International Patent Classification:
B67D 5/56 (2006.01)

MUELLER, Edward, L. [US/US]; 2833 Manchester Boulevard, Toledo, OH 43606 (US).

(21) International Application Number:
PCT/US2007/070098

(74) Agent: FRASER, Donald, R.; Fraser Clemens Martin & Miller Llc, 28366 Kensington Lane, Perrysburg, OH 43551 (US).

(22) International Filing Date: 31 May 2007 (31.05.2007)

(81) Designated States (unless otherwise indicated, for every kind of national protection available): AE, AG, AL, AM, AT, AU, AZ, BA, BB, BG, BH, BR, BW, BY, BZ, CA, CH, CN, CO, CR, CU, CZ, DE, DK, DM, DO, DZ, EC, EE, EG, ES, FI, GB, GD, GE, GH, GM, GT, HN, HR, HU, ID, IL, IN, IS, JP, KE, KG, KM, KN, KP, KR, KZ, LA, LC, LK, LR, LS, LT, LU, LY, MA, MD, ME, MG, MK, MN, MW, MX, MY, MZ, NA, NG, NI, NO, NZ, OM, PG, PH, PL, PT, RO, RS, RU, SC, SD, SE, SG, SK, SL, SM, SV, SY, TJ, TM, TN, TR, TT, TZ, UA, UG, US, UZ, VC, VN, ZA, ZM, ZW.

(25) Filing Language: English

(26) Publication Language: English

(30) Priority Data:
60/810,329 2 June 2006 (02.06.2006) US

(71) Applicant (for all designated States except US): IDIS-PENSE, LLC [US/US]; 3610 Holland-Sylvania Road, Toledo, Ohio 43615 (US).

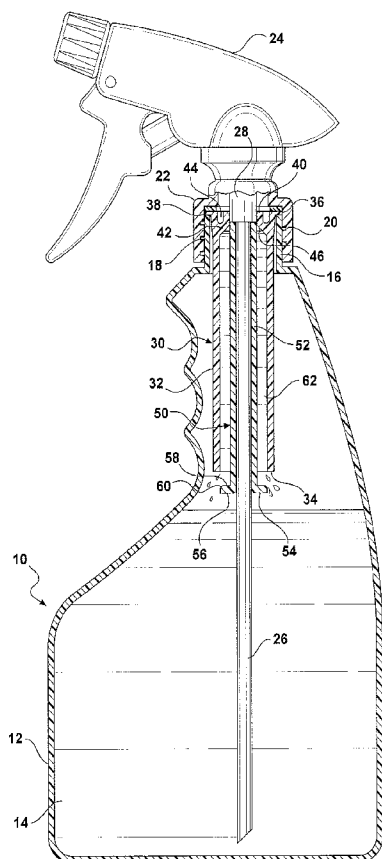
(72) Inventors; and

(84) Designated States (unless otherwise indicated, for every kind of regional protection available): ARIPO (BW, GH, GM, KE, LS, MW, MZ, NA, SD, SL, SZ, TZ, UG, ZM,

(75) Inventors/Applicants (for US only): TAYLOR, Douglas, F. [US/US]; 2014 Harlan Road, Toledo, OH 43615 (US).

[Continued on next page]

(54) Title: CHILD RESISTANT CONCENTRATE CARTRIDGE AND ASSOCIATED DILUTING AND DISPENSING CONTAINER



(57) Abstract: A reusable concentrate cartridge adapted to be supported by a diluting and dispensing container for combining at least two separate components of a multi-component system, the concentrate cartridge having a hollow cylindrical element and a hollow tube with a closure portion. The concentrate cartridge is caused to open by the rotating engagement of a closure cap onto the diluting and dispensing container to which causes the closure portion of the hollow tube to disengage, releasing the concentrate material.

WO 2007/143503 A3



ZW), Eurasian (AM, AZ, BY, KG, KZ, MD, RU, TJ, TM),
European (AT, BE, BG, CH, CY, CZ, DE, DK, EE, ES, FI,
FR, GB, GR, HU, IE, IS, IT, LT, LU, LV, MC, MT, NL, PL,
PT, RO, SE, SI, SK, TR), OAPI (BF, BJ, CF, CG, CI, CM,
GA, GN, GQ, GW, ML, MR, NE, SN, TD, TG).

Published:

— *with international search report*

(88) Date of publication of the international search report:
9 October 2008

INTERNATIONAL SEARCH REPORT

International application No.

PCT/US07/70098

A. CLASSIFICATION OF SUBJECT MATTER
 IPC: **B67D 5/56**(2006.01)

USPC: 222/129,383.1,510,136;215/DIG.8;206/219,222
 According to International Patent Classification (IPC) or to both national classification and IPC

B. FIELDS SEARCHED

Minimum documentation searched (classification system followed by classification symbols)
 U.S. : 222/129,383.1,510,136; 215/dig.8;206/219,222

Documentation searched other than minimum documentation to the extent that such documents are included in the fields searched

Electronic data base consulted during the international search (name of data base and, where practicable, search terms used)
 EAST

C. DOCUMENTS CONSIDERED TO BE RELEVANT

Category *	Citation of document, with indication, where appropriate, of the relevant passages	Relevant to claim No.
X	US 6,290,100 A (6,290,100) 18 September 2001 (18.09.2001), figs. 1-4.	1-20
A	US.6,182,856 A (BUNSCHOTEN et al.) 06 February 2001 (06.02.2001), whole reference.	1-20
A	US 5,521,483 A (PARISE) 06 June 1995 (06.06.1995), whole document.	1-20
A	US 6,041,969 A (PARISE) 28 March 2000 (28.03.2000), Whole document.	1-20

Further documents are listed in the continuation of Box C. See patent family annex.

* Special categories of cited documents:	
"A" document defining the general state of the art which is not considered to be of particular relevance	"T" later document published after the international filing date or priority date and not in conflict with the application but cited to understand the principle or theory underlying the invention
"E" earlier application or patent published on or after the international filing date	"X" document of particular relevance; the claimed invention cannot be considered novel or cannot be considered to involve an inventive step when the document is taken alone
"L" document which may throw doubts on priority claim(s) or which is cited to establish the publication date of another citation or other special reason (as specified)	"Y" document of particular relevance; the claimed invention cannot be considered to involve an inventive step when the document is combined with one or more other such documents, such combination being obvious to a person skilled in the art
"O" document referring to an oral disclosure, use, exhibition or other means	"&" document member of the same patent family
"P" document published prior to the international filing date but later than the priority date claimed	

Date of the actual completion of the international search 19 May 2008 (19.05.2008)	Date of mailing of the international search report 07 JUL 2008
Name and mailing address of the ISA/US Mail Stop PCT, Attn: ISA/US Commissioner for Patents P.O. Box 1450 Alexandria, Virginia 22313-1450 Facsimile No. (571) 273-3201	Authorized officer LIEN NGO Telephone No. 571-272-4545 