



US00D868280S

(12) **United States Design Patent**
Smith et al.

(10) **Patent No.:** **US D868,280 S**

(45) **Date of Patent:** **** Nov. 26, 2019**

(54) **MASSAGER HEAD**

(71) Applicant: **WAHL CLIPPER CORPORATION**,
Sterling, IL (US)

(72) Inventors: **Ryan Smith**, Dixon, IL (US); **Jenny McLaughlin**, Amboy, IL (US)

(73) Assignee: **WAHL CLIPPER CORPORATION**,
Sterling, IL (US)

(**) Term: **15 Years**

(21) Appl. No.: **29/662,968**

(22) Filed: **Sep. 11, 2018**

(51) **LOC (12) Cl.** **28-03**

(52) **U.S. Cl.**
USPC **D24/215**

(58) **Field of Classification Search**
USPC 601/15, 18, 19, 46, 47, 48, 52, 99, 112,
601/113, 118, 125, 129, 134, 135, 137,
601/DIG. 12, DIG. 14, DIG. 15, DIG. 16,
601/DIG. 17; D24/133, 200, 211, 212,
D24/213, 214, 215; D30/160
CPC A61H 7/00; A61H 7/002; A61H 2205/12
See application file for complete search history.

D596,750 S * 7/2009 Lev D24/212
D694,415 S * 11/2013 Viner D24/213
D721,459 S * 1/2015 Smith D30/160
D732,182 S * 6/2015 Viner D24/212
D753,351 S * 4/2016 Anderson D30/160
D765,260 S * 8/2016 Sparr D24/190
2016/0151234 A1* 6/2016 Chen A61H 15/0078
601/113

(Continued)

OTHER PUBLICATIONS

Amazon, "Deep Tissue Cordless Percussion Therapeutic Handheld Massager", Mar. 4, 2019. https://www.amazon.com/Cordless-Percussion-Therapeutic-Handheld-Professionals/dp/B07G4TWXH2/ref=cm_cr_ar_p_d_product_top?ie=UTF8. Shown on p. 1. (Year: 2019).*

Primary Examiner — Cynthia Ramirez
Assistant Examiner — Michael A Maharajh
(74) *Attorney, Agent, or Firm* — Greer, Burns & Crain, Ltd.

(57) **CLAIM**

The ornamental design for a massager head, as shown and described.

DESCRIPTION

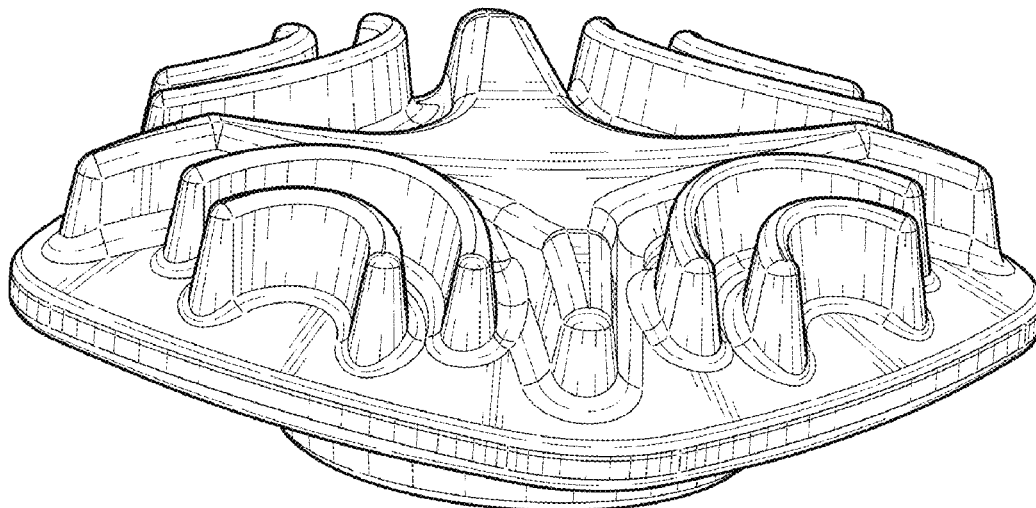
FIG. 1 is a bottom perspective view of a massager head showing our new design;
FIG. 2 is a front view thereof;
FIG. 3 is a rear view thereof;
FIG. 4 is a right side view, the left side being a mirror image thereof;
FIG. 5 is an inverted front view thereof;
FIG. 6 is a top view thereof; and,
FIG. 7 is a bottom thereof.
The broken lines shown in FIG. 6 are for the purpose of illustrating environmental structure, which form no part of the claimed design.

1 Claim, 5 Drawing Sheets

(56) **References Cited**

U.S. PATENT DOCUMENTS

2,806,470 A * 9/1957 Ferrier A61H 7/003
601/133
2,836,175 A * 5/1958 Nakayama A61H 7/003
601/135
5,577,997 A * 11/1996 Thariani A61B 17/54
601/135
D387,513 S * 12/1997 Mauldin, Jr. D21/406
6,228,001 B1* 5/2001 Johnson A63B 21/028
482/44
D523,592 S * 6/2006 Wang D30/160
D526,029 S * 8/2006 Ragonetti A01K 15/025
D21/444
D529,668 S * 10/2006 Wang D30/160



(56)

References Cited

U.S. PATENT DOCUMENTS

2016/0184171 A1* 6/2016 Poole A61H 7/00
601/46
2019/0167516 A1* 6/2019 Brown A61H 23/02
2019/0192331 A1* 6/2019 Zhong A61F 5/34

* cited by examiner

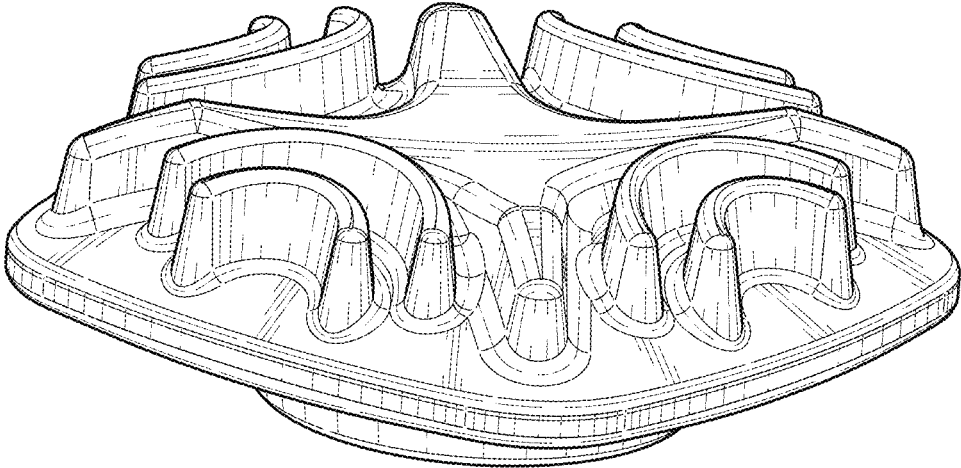


FIG. 1

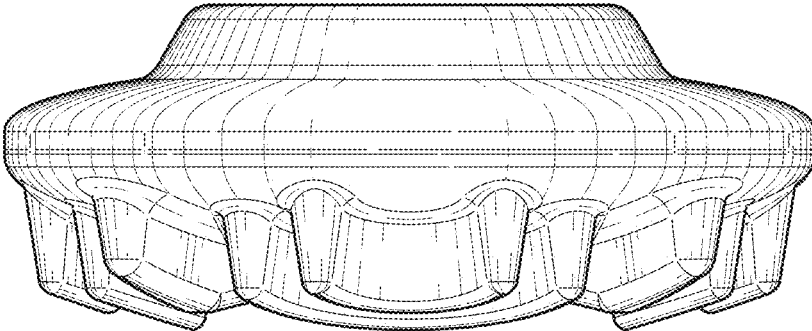


FIG. 2

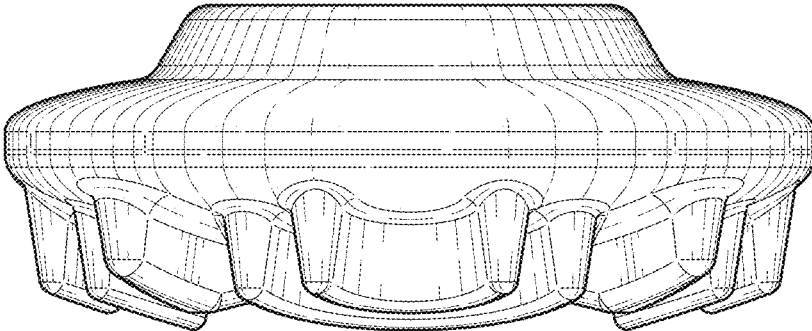


FIG. 3

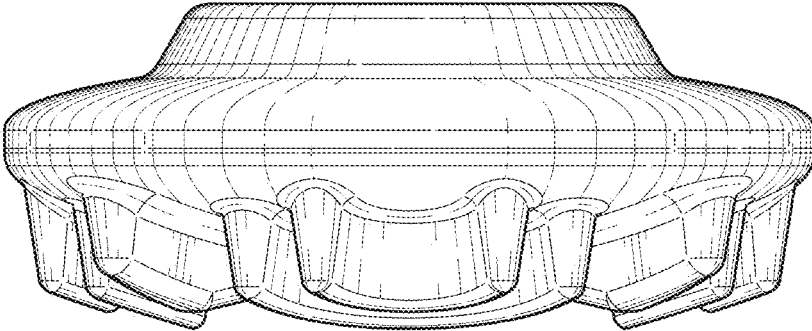


FIG. 4

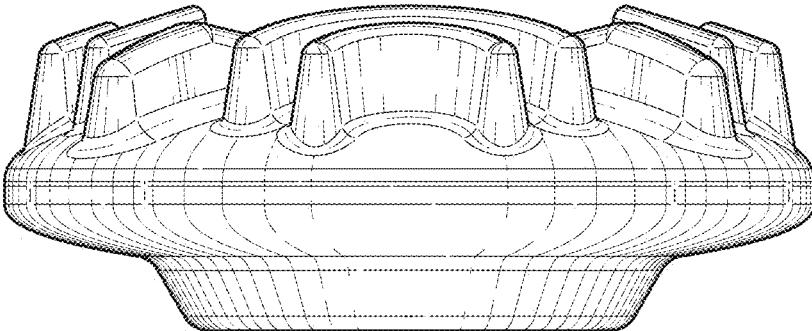


FIG. 5

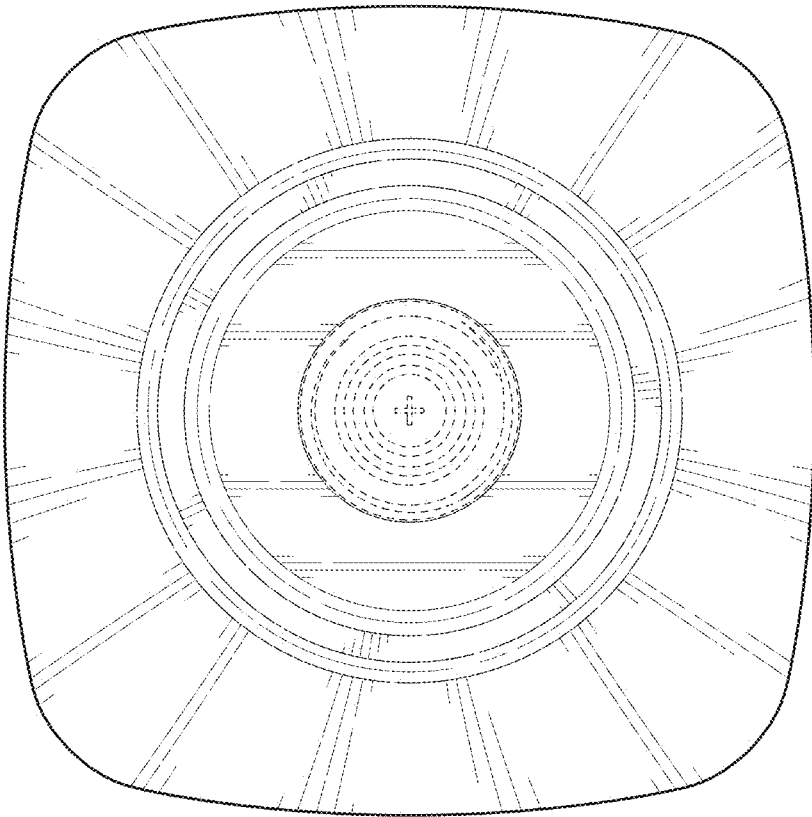


FIG. 6

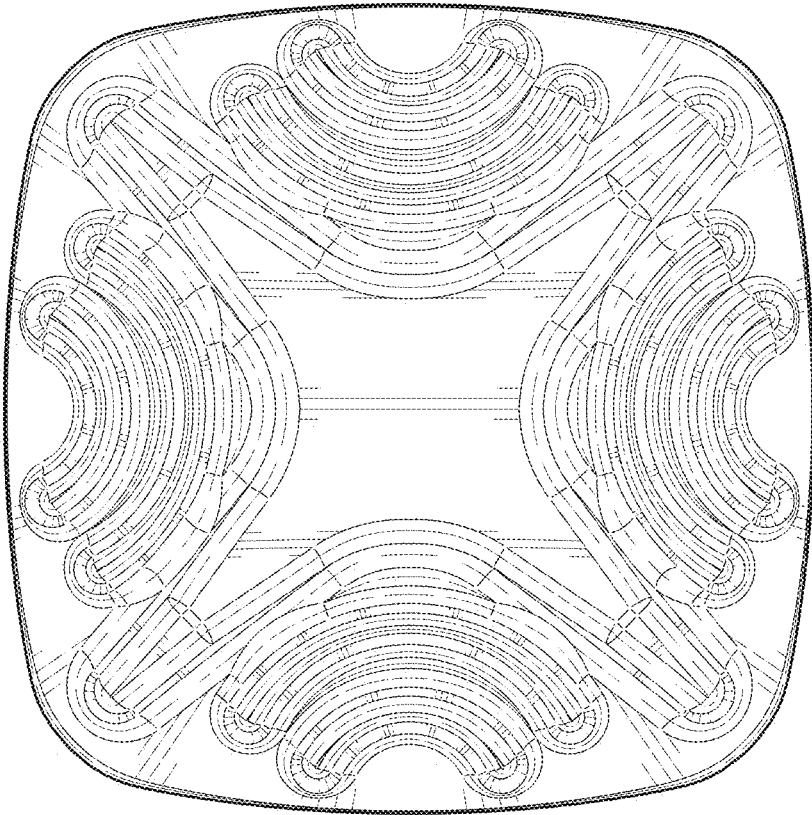


FIG. 7