



(12) **United States Design Patent**
Mackler

(10) **Patent No.:** **US D611,405 S**
(45) **Date of Patent:** **** Mar. 9, 2010**

(54) **SOLAR POWER GENERATION ASSEMBLY**

FOREIGN PATENT DOCUMENTS

(75) Inventor: **Laurence Mackler**, New York, NY (US)

WO WO 9736132 A 10/1997

(73) Assignee: **Solaire Generation LLC**, New York, NY (US)

(**) Term: **14 Years**

(21) Appl. No.: **29/339,638**

(22) Filed: **Jul. 2, 2009**

(51) **LOC (9) Cl.** **13-02**

(52) **U.S. Cl.** **D13/102**

(58) **Field of Classification Search** D13/102,
D13/101, 107, 184, 199; D25/56, 61, 68,
D25/134; 52/173.3; 126/569, 571, 600,
126/621, 623, 680, 906; 136/243-246, 251;
248/49, 346.01, 346.02

See application file for complete search history.

(56) **References Cited**

U.S. PATENT DOCUMENTS

4,132,074 A	1/1979	Wendel	
4,149,523 A *	4/1979	Boy-Marcotte et al.	126/589
4,245,895 A *	1/1981	Wildenrotter	359/848
4,281,369 A	7/1981	Batte	
4,319,310 A	3/1982	Kingsley	
4,384,317 A	5/1983	Stackpole	
4,429,178 A *	1/1984	Prideaux et al.	136/246
4,432,341 A	2/1984	Howe et al.	
4,453,327 A	6/1984	Clarke	
4,484,104 A	11/1984	O'Brien	
4,611,090 A *	9/1986	Catella et al.	136/251
4,636,577 A	1/1987	Peterpaul	
4,649,899 A *	3/1987	Moore	126/578
4,668,120 A	5/1987	Roberts	
4,742,291 A	5/1988	Bobier et al.	
4,832,001 A *	5/1989	Baer	126/579
4,835,918 A	6/1989	Dippel	

(Continued)

OTHER PUBLICATIONS

Notification of Transmittal Of The International Search Report And The Written Opinion Of The International Searching Authority, Or The Declaration, International Search Report and Written Opinion Of The International Searching Authority, for related International Application No. PCT/US2009/049625.

(Continued)

Primary Examiner—Prabhakar Deshmukh
Assistant Examiner—Derrick Holland
(74) *Attorney, Agent, or Firm*—Lovells LLP

(57) **CLAIM**

The ornamental design for a solar power generation assembly, as shown and described.

DESCRIPTION

FIG. 1 is a left side elevation view of a solar power generation assembly showing my new design;

FIG. 2 is a front elevation view thereof;

FIG. 3 is a left and bottom side perspective view thereof;

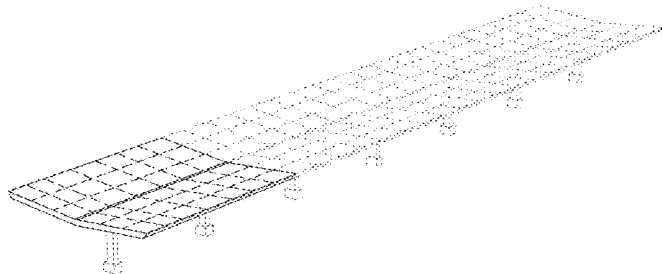
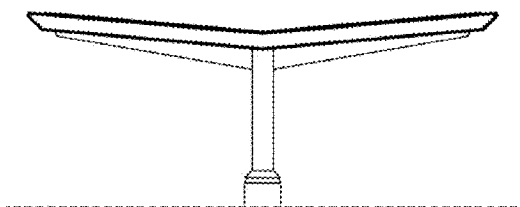
FIG. 4 is a left and front side perspective view thereof; and,

FIG. 5 is a top and left side perspective view thereof.

The broken lines shown represent unclaimed subject matter and form no part of the claimed design.

The broken lines immediately adjacent to the claimed areas in the views represent the boundaries of the design. None of the broken lines form any part of the claimed design.

1 Claim, 5 Drawing Sheets



US D611,405 S

U.S. PATENT DOCUMENTS					
4,841,278 A	6/1989	Tezuka et al.	7,227,078 B2	6/2007	Jongerden et al.
4,867,133 A	9/1989	Sadler	7,237,360 B2	7/2007	Moncho et al.
4,966,631 A	10/1990	Matlin et al.	D564,443 S	3/2008	Moore
4,989,124 A	1/1991	Shappell	D565,505 S *	4/2008	Shugar et al. D13/102
5,228,924 A	7/1993	Barker et al.	D571,716 S	6/2008	Anderson
D353,129 S *	12/1994	Ricaud et al. D13/102	D584,223 S	1/2009	Cooper
5,612,741 A	3/1997	Loban et al.	7,501,713 B2	3/2009	Fein et al.
5,807,440 A	9/1998	Kubota et al.	2005/0035244 A1	2/2005	Conger
D408,554 S	4/1999	Dinwoodie	2005/0045224 A1	3/2005	Lyden
5,900,850 A	5/1999	Bailey et al.	2005/0109384 A1	5/2005	Shingleton et al.
6,046,401 A	4/2000	McCabe	2005/0241246 A1	11/2005	Sinha et al.
6,049,035 A	4/2000	Tsuru et al.	2006/0011194 A1	1/2006	Hensley et al.
D425,013 S *	5/2000	Lai D13/102	2006/0090858 A1	5/2006	Heidenreich
6,111,189 A	8/2000	Garvison	2006/0101663 A1	5/2006	Baker
6,260,319 B1	7/2001	Colomban	2006/0207192 A1	9/2006	Durham
6,263,601 B1	7/2001	Emert	2006/0225776 A1	10/2006	Nemazi et al.
D452,328 S	12/2001	O'Brien	2007/0212935 A1	9/2007	Lenox
D456,085 S	4/2002	O'Brien	2008/0308091 A1	12/2008	Corio
6,455,767 B1	9/2002	Muller	2009/0050194 A1	2/2009	Noble et al.
6,495,750 B1	12/2002	Dinwoodie	OTHER PUBLICATIONS		
6,518,493 B1	2/2003	Murakami et al.	Notification of Transmittal Of The International Search Report And		
6,572,173 B2	6/2003	Muller	The Written Opinion Of The International Searching Authority, Or		
6,784,357 B1	8/2004	Wang	The Declaration, International Search Report and Written Opinion		
D505,113 S *	5/2005	Lam D13/107	Of The International Searching Authority, for related International		
6,930,237 B2	8/2005	Mattiuzzo	Application No. PCT/US2009/049595.		
D511,576 S	11/2005	Shingleton et al.	* cited by examiner		
D535,584 S	1/2007	Garrett			

FIG. 1

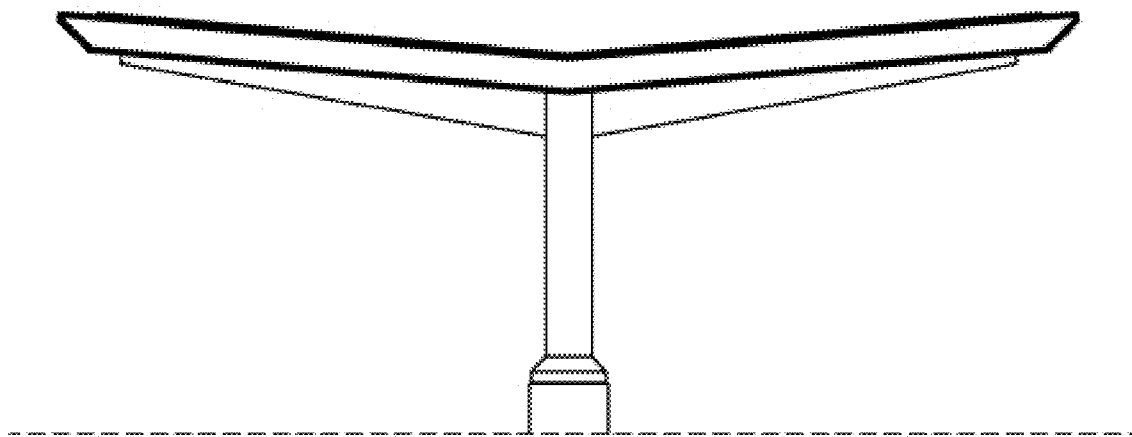


FIG. 2

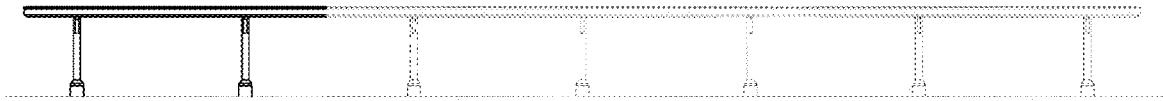


FIG. 3

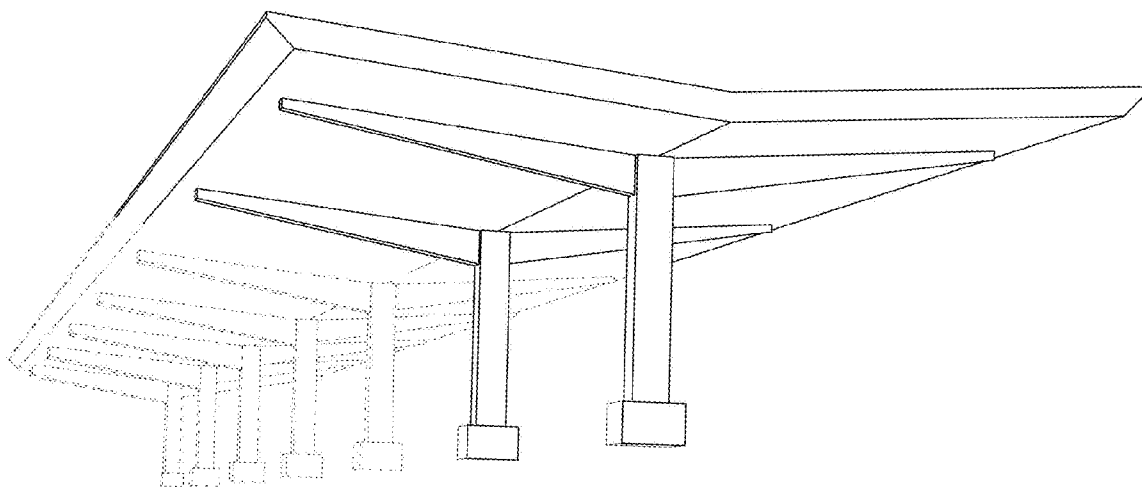


FIG. 4

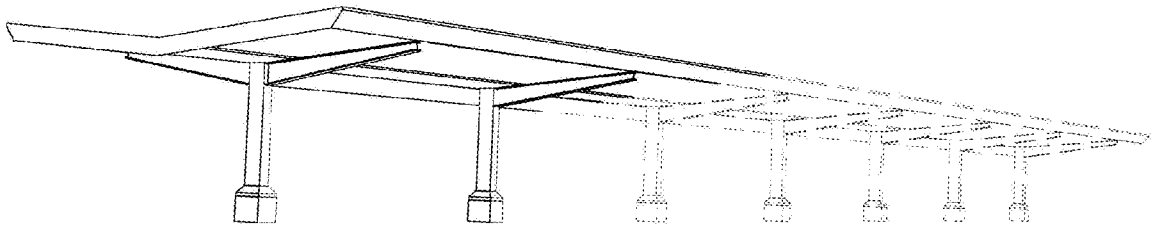


FIG. 5

