



US00D536680S

(12) **United States Design Patent**  
**Bradford**

(10) **Patent No.:** **US D536,680 S**

(45) **Date of Patent:** **\*\* Feb. 13, 2007**

(54) **TELEVISION RECEIVER**

(75) Inventor: **Simon Bradford**, Surrey (GB)

(73) Assignee: **Sony Corporation**, Tokyo (JP)

(\*\*) Term: **14 Years**

(21) Appl. No.: **29/221,226**

(22) Filed: **Jan. 14, 2005**

(51) **LOC (8) Cl.** ..... **14-03**

(52) **U.S. Cl.** ..... **D14/129**

(58) **Field of Classification Search** ..... D14/125-134,  
D14/239, 371, 374-376; 312/7.2; 348/836,  
348/838, 180, 184, 325, 739; 341/12; 248/917-924;  
345/104, 133, 156, 168, 87, 173; 353/74;  
D10/106; D13/164; D6/477-479, 630, 481  
See application file for complete search history.

(56) **References Cited**

**U.S. PATENT DOCUMENTS**

5,584,595 A	*	12/1996	Gantitano et al.	403/24
D450,696 S		11/2001	Hasegawa et al.	
D454,731 S		3/2002	Niitsu	
D455,129 S		4/2002	Niitsu	
D457,507 S	*	5/2002	Lim et al.	D14/133
D477,292 S	*	7/2003	Inoue et al.	D14/129
D478,746 S	*	8/2003	Sumii	D6/477
D485,539 S	*	1/2004	Goto et al.	D14/128
D488,785 S	*	4/2004	Ohba et al.	D14/126

D497,060 S	*	10/2004	Chang	D6/477
6,814,009 B2	*	11/2004	Acevedo et al.	108/50.02
D500,930 S	*	1/2005	Goto et al.	D6/477
D505,807 S	*	6/2005	Goto et al.	D6/477
2003/0066463 A1	*	4/2003	Acevedo et al.	108/50.02

**OTHER PUBLICATIONS**

Web page "TOSHIBA 28ZP58" <http://www.toshiba.co.jp/product/tv/product/wide/28zp58/index.htm>, 1 sheet, Toshiba Corporation (Jan. 2005).

\* cited by examiner

*Primary Examiner*—Raphael Barkai

(74) *Attorney, Agent, or Firm*—Rader, Fishman & Grauer PLLC

(57) **CLAIM**

The ornamental design for a television receiver, as shown.

**DESCRIPTION**

FIG. 1 is a perspective view of a television receiver showing my new design;

FIG. 2 is a front elevational view thereof;

FIG. 3 is a rear elevational view thereof;

FIG. 4 is a left side elevational view thereof;

FIG. 5 is a right side elevational view thereof;

FIG. 6 is a top plan view thereof; and,

FIG. 7 is a bottom plan view thereof.

**1 Claim, 6 Drawing Sheets**

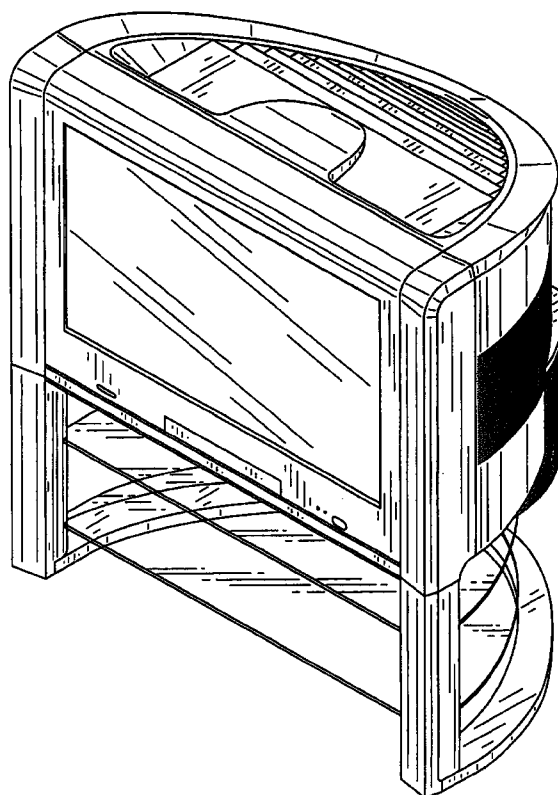


Fig. 1

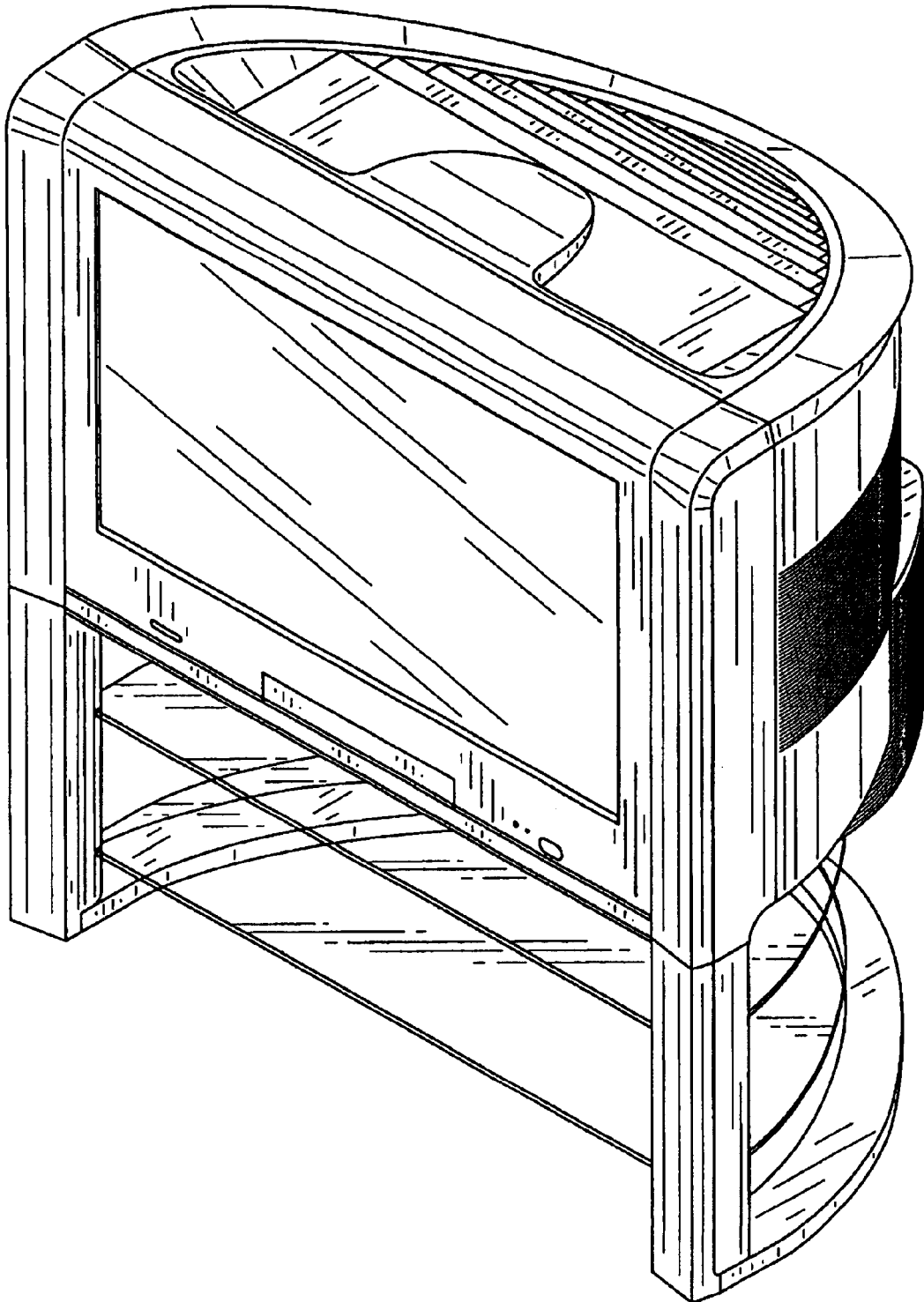


Fig.2

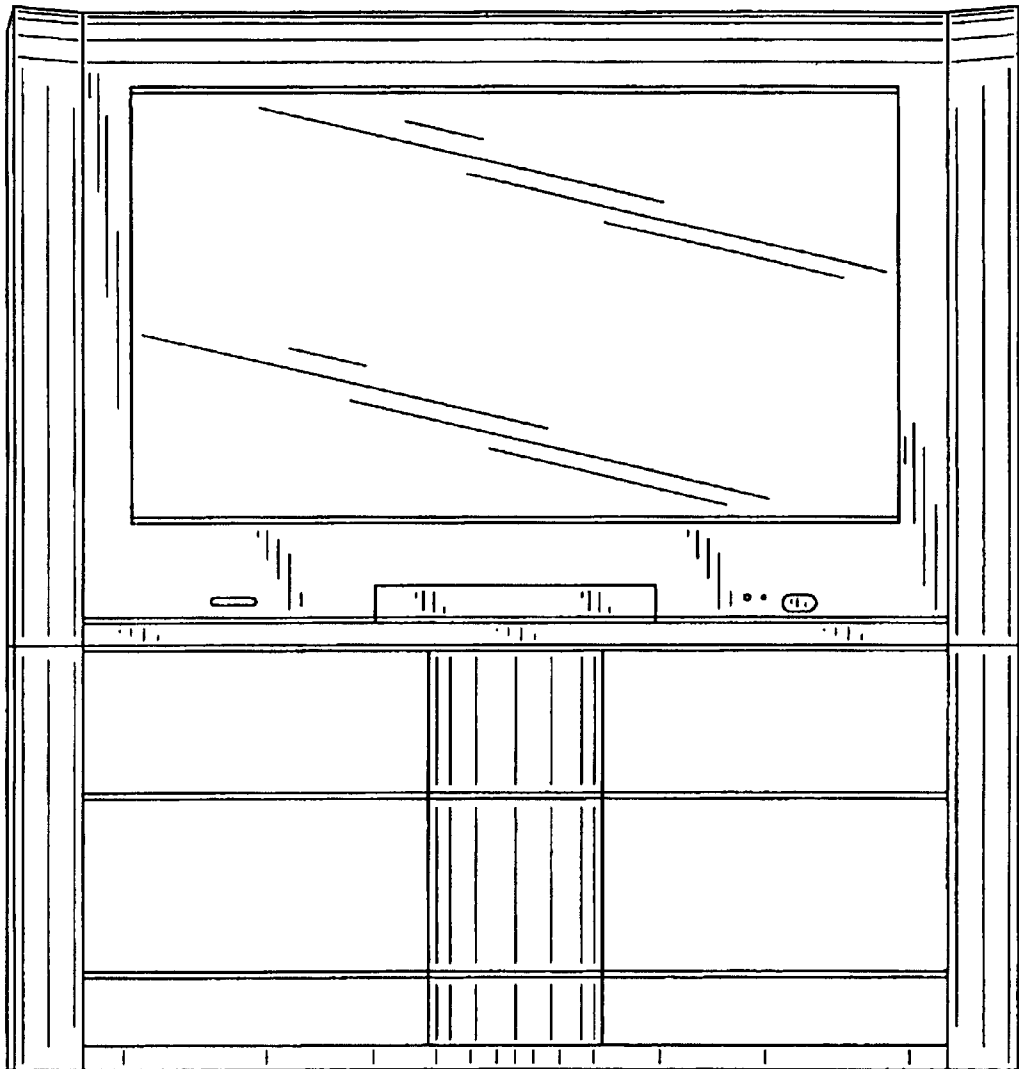


Fig.3

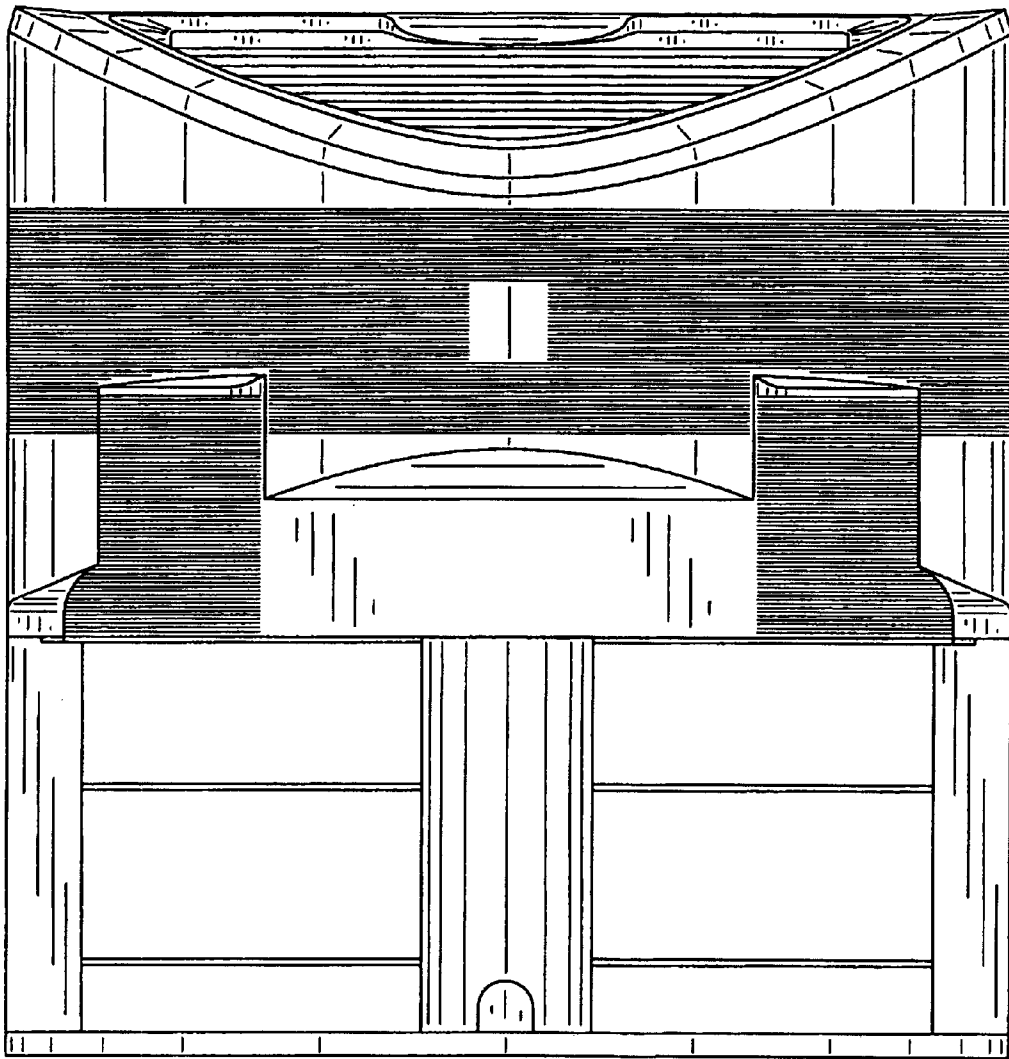


Fig.4

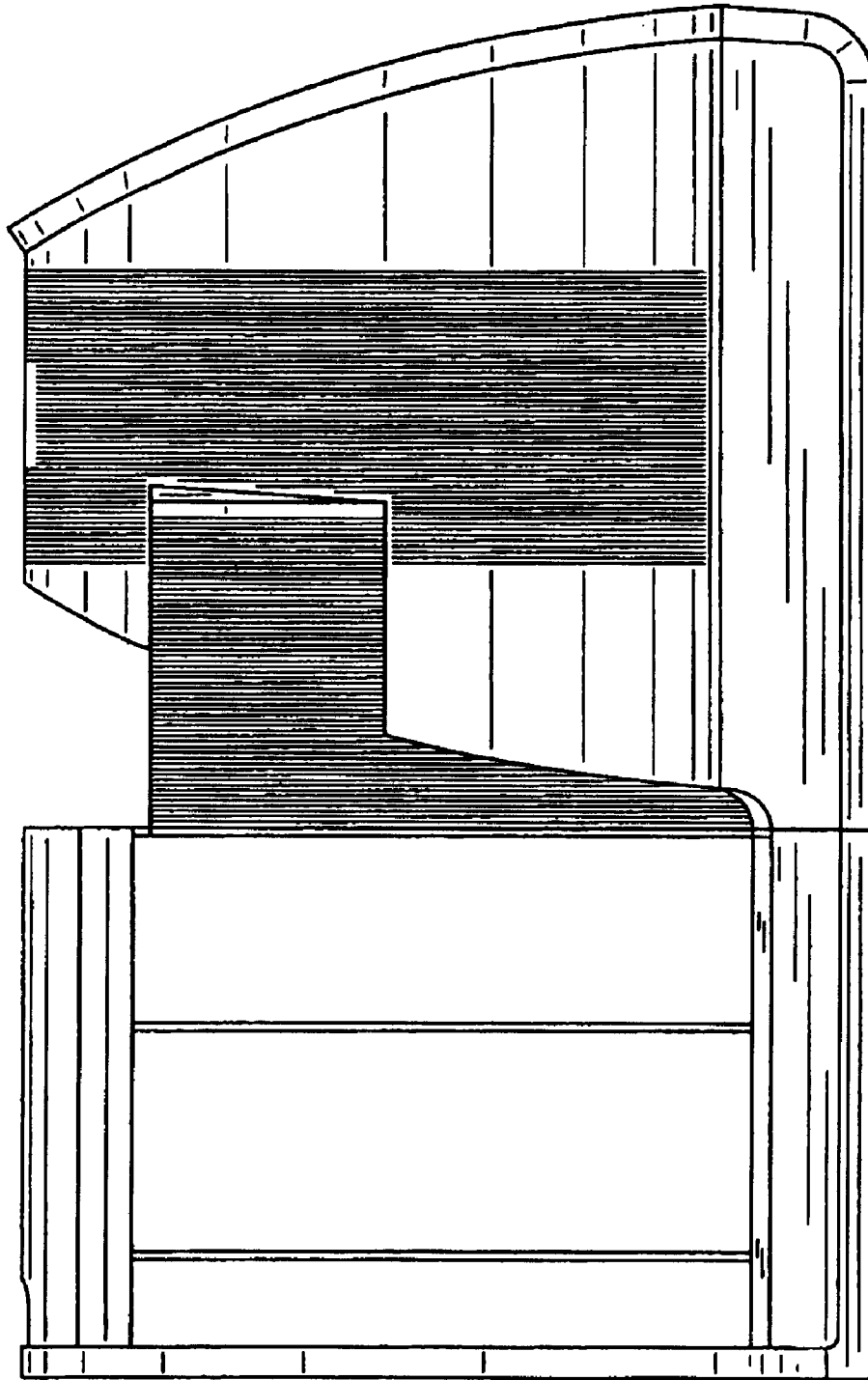


Fig.5

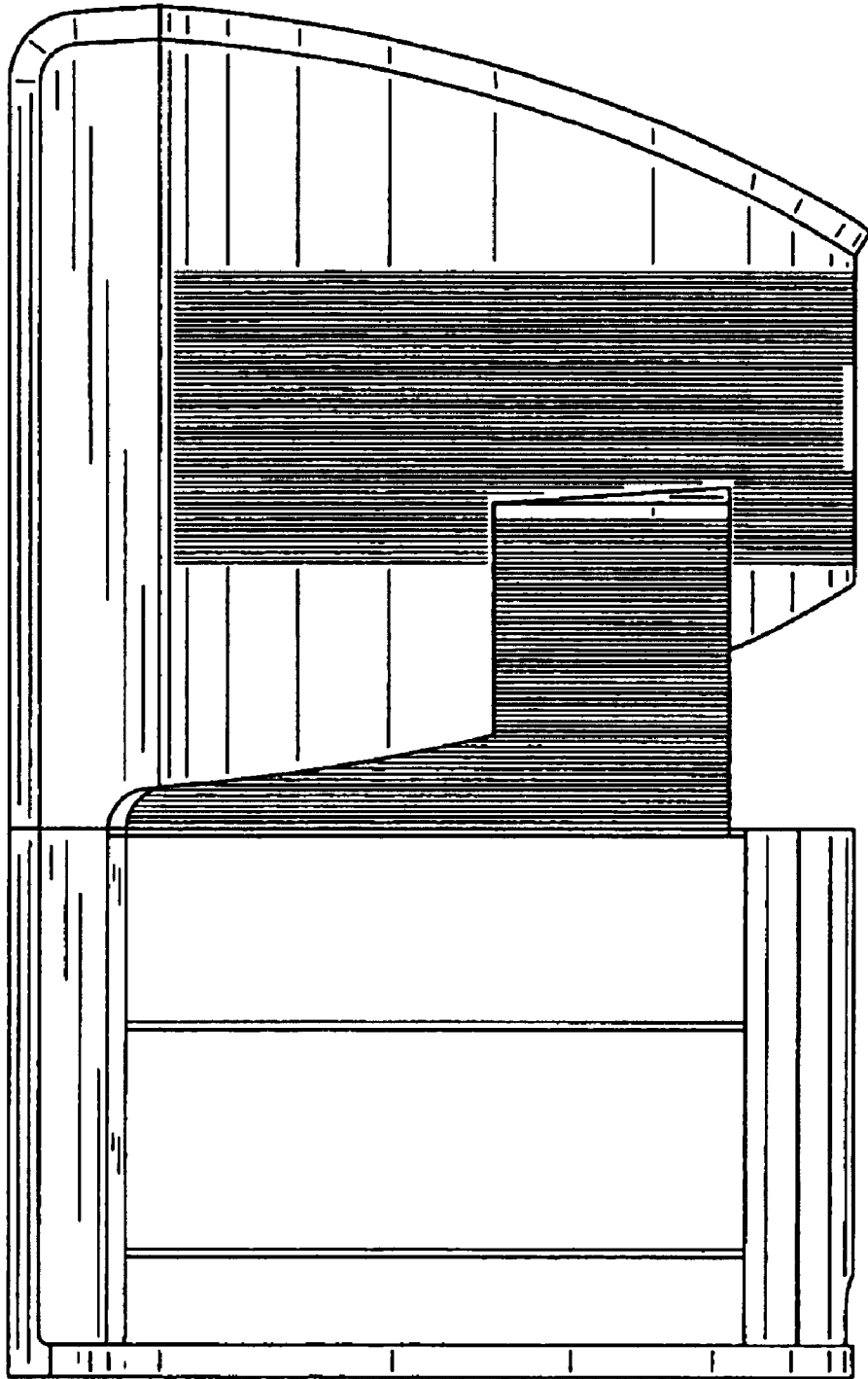


Fig.6

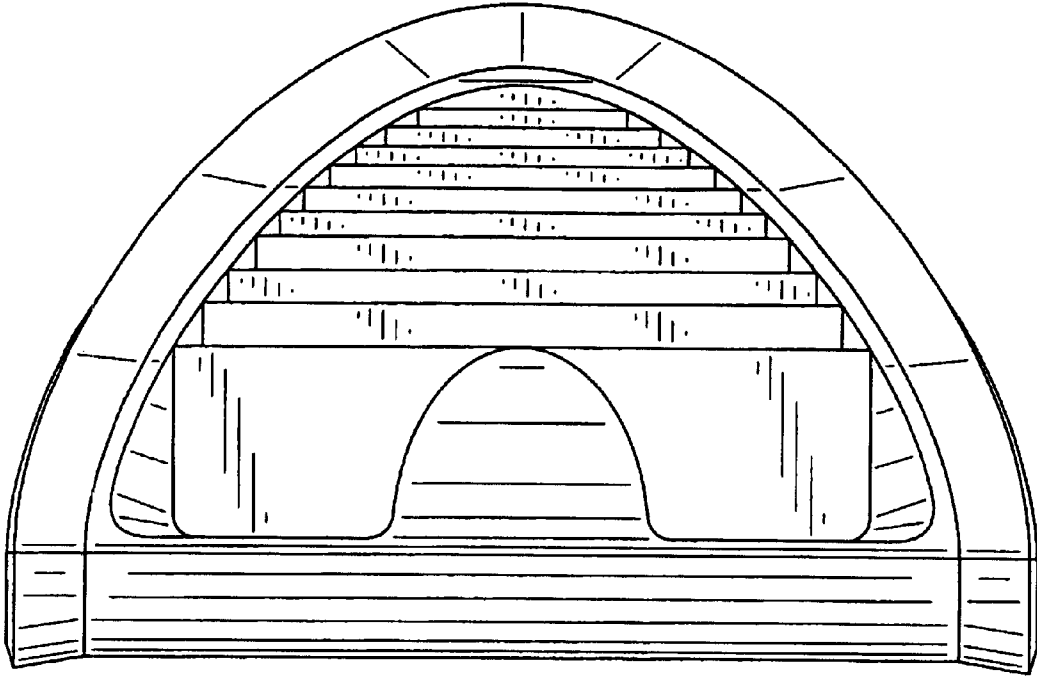


Fig.7

