



US00D790947S

(12) **United States Design Patent**
Key et al.

(10) **Patent No.:** **US D790,947 S**
(45) **Date of Patent:** **** Jul. 4, 2017**

- (54) **CABINET HANDLE**
- (71) Applicant: **METALIA INC.**, Chambly (CA)
- (72) Inventors: **Serge Key**, Boloeil (CA); **Kevin Key**, Otterburn Park (CA); **Jacques Desbiens**, Montreal (CA)
- (73) Assignee: **METALIA INC.**, Chambly (CA)
- (**) Term: **15 Years**
- (21) Appl. No.: **29/557,479**
- (22) Filed: **Mar. 9, 2016**
- (51) **LOC (10) Cl.** **08-06**
- (52) **U.S. Cl.**
USPC **D8/315**
- (58) **Field of Classification Search**
USPC D8/302, 305, 311, 319; D26/89
CPC E05B 1/0015; E05B 1/00
See application file for complete search history.

D773,919 S * 12/2016 Carlino D8/315
 D773,920 S * 12/2016 Funnell, II D8/315
 D776,854 S * 1/2017 Baumeister D26/76

FOREIGN PATENT DOCUMENTS

CA D161829 11/2015

OTHER PUBLICATIONS

Ergonomic Drawer Handle With Patented Design: Announced 2016 [online], site visited Mar. 30, 2017. Available from Internet URL: <http://www.metalia.com/explorer-modular-cabinets#slide10>.*

* cited by examiner

Primary Examiner — Caron D Veynar

Assistant Examiner — Melvin Davis

(74) *Attorney, Agent, or Firm* — Gwendoline Bruneau

(57) **CLAIM**

The ornamental design for a cabinet handle, as shown and described.

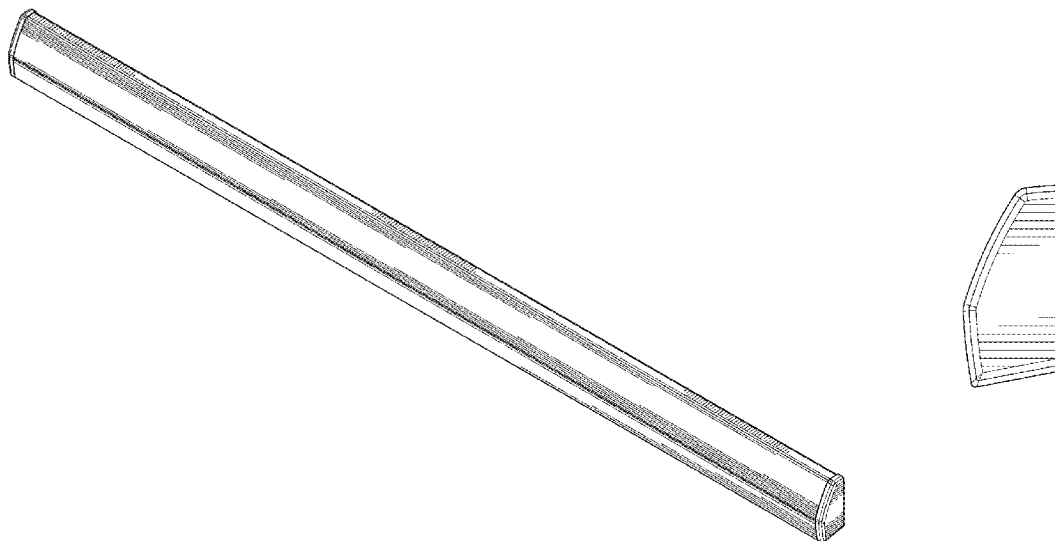
DESCRIPTION

FIG. 1 is a perspective view of the cabinet handle;
 FIG. 2 is side view of the cabinet handle of FIG. 1, with the other side being a mirror thereof;
 FIG. 3 is a top view of the cabinet handle of FIG. 1;
 FIG. 4 is a front view of the cabinet handle of FIG. 1;
 FIG. 5 is a bottom view of the cabinet handle of FIG. 1; and,
 FIG. 6 is a rear view of the cabinet handle of FIG. 1.
 The broken lines shown in the figures are included for the purpose of illustrating environment and form no part of the claimed design.

1 Claim, 2 Drawing Sheets

(56) **References Cited**
U.S. PATENT DOCUMENTS

D246,949 S *	1/1978	Davis	D8/300
D451,359 S *	12/2001	DePass	D8/302
D562,361 S *	2/2008	Kwak	D15/89
D588,172 S *	3/2009	Yang	D15/89
D610,594 S *	2/2010	Martin	D15/89
D709,636 S *	7/2014	Murata	D26/72
D711,938 S *	8/2014	Boo	D15/89
D729,423 S *	5/2015	Noh	D26/24
D763,656 S *	8/2016	Lee	D8/317
D764,890 S *	8/2016	Shoemaker	D15/89



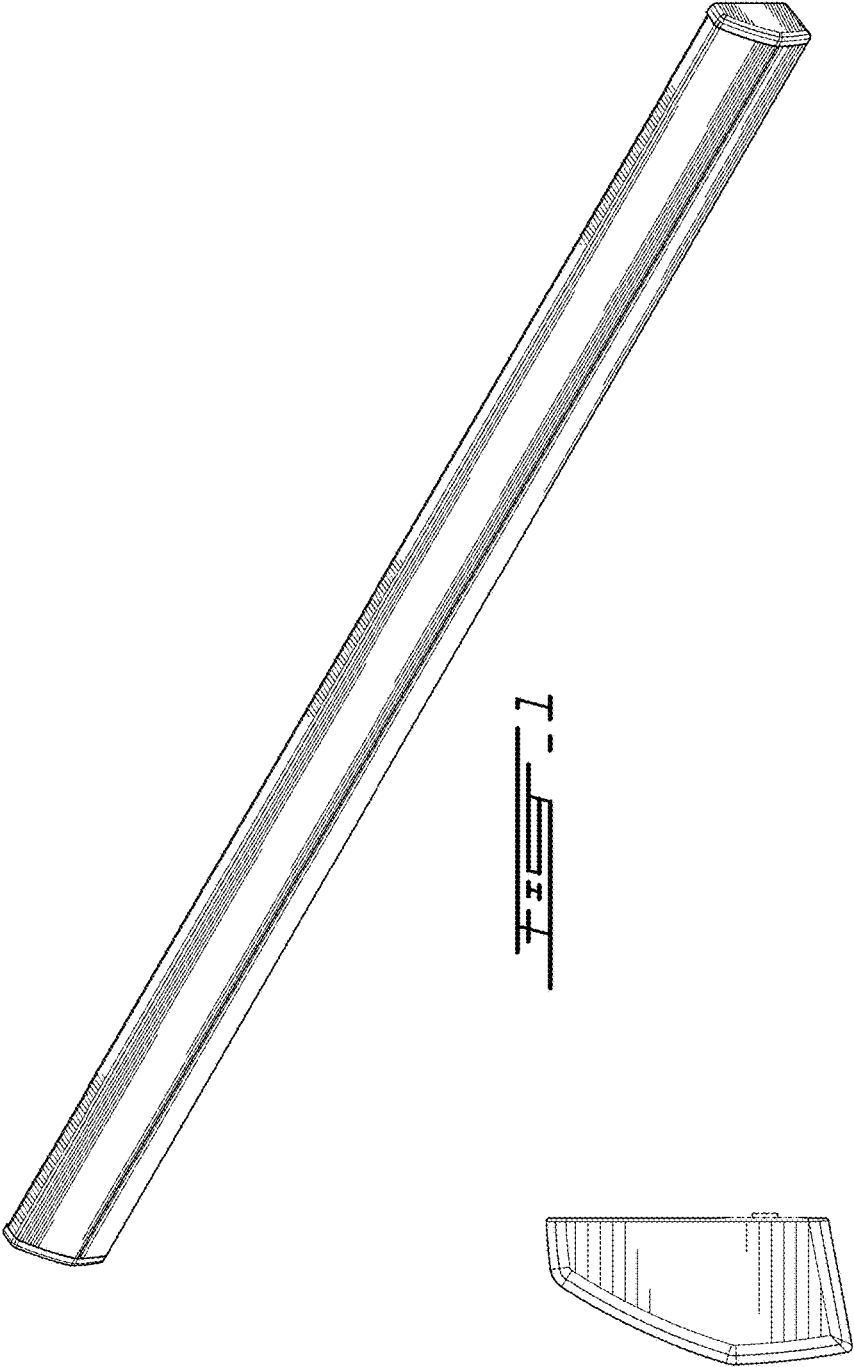


FIG. 1

FIG. 2



FIG. 3

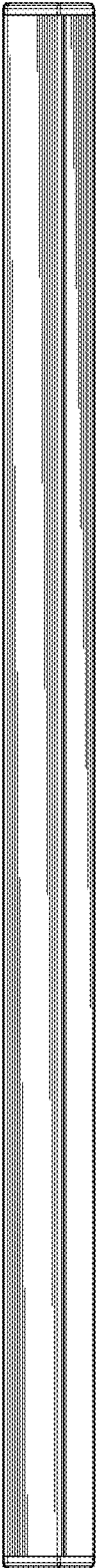


FIG. 4



FIG. 5

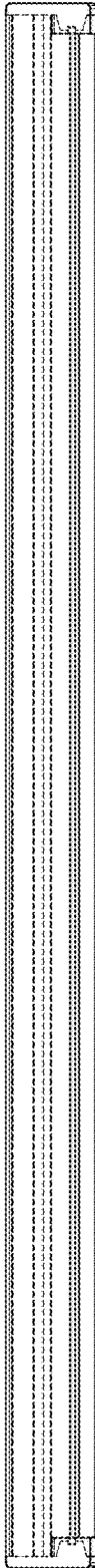


FIG. 6