



(51) International Patent Classification:  
A01J 5/017 (2006.01)

(21) International Application Number:  
PCT/EP2010/063355

(22) International Filing Date:  
13 September 2010 (13.09.2010)

(25) Filing Language: English

(26) Publication Language: English

(30) Priority Data:  
0901197-4 18 September 2009 (18.09.2009) SE

(71) Applicant (for all designated States except US):  
DELAVAL HOLDING AB [SE/SE]; P.O. Box 39,  
S-147 21 Tumba (SE).

(72) Inventors; and

(75) Inventors/Applicants (for US only): **CARLSON, Björn** [SE/SE]; Claras Gränd 11B, S-141 35 Huddinge (SE). **HEIM, Daniel** [US/US]; NW 131 street CT, Platte City, Missouri 64079 (US). **STELLNERT, Mats** [SE/US]; 8300 NW Miami St, Weatherby Lake, Missouri 64152 (US). **WIPPERFURTH, Stuart** [US/US]; 820 Bluebird Pass, Cambridge, Wisconsin 53523 (US).

(74) Agents: **REGNHAMN, Nina** et al.; DeLaval International AB, Box 39, 147 21 Tumba (SE).

(81) Designated States (unless otherwise indicated, for every kind of national protection available): AE, AG, AL, AM, AO, AT, AU, AZ, BA, BB, BG, BH, BR, BW, BY, BZ, CA, CH, CL, CN, CO, CR, CU, CZ, DE, DK, DM, DO,

DZ, EC, EE, EG, ES, FI, GB, GD, GE, GH, GM, GT, HN, HR, HU, ID, IL, IN, IS, JP, KE, KG, KM, KN, KP, KR, KZ, LA, LC, LK, LR, LS, LT, LU, LY, MA, MD, ME, MG, MK, MN, MW, MX, MY, MZ, NA, NG, NI, NO, NZ, OM, PE, PG, PH, PL, PT, RO, RS, RU, SC, SD, SE, SG, SK, SL, SM, ST, SV, SY, TH, TJ, TM, TN, TR, TT, TZ, UA, UG, US, UZ, VC, VN, ZA, ZM, ZW.

(84) Designated States (unless otherwise indicated, for every kind of regional protection available): ARIPO (BW, GH, GM, KE, LR, LS, MW, MZ, NA, SD, SL, SZ, TZ, UG, ZM, ZW), Eurasian (AM, AZ, BY, KG, KZ, MD, RU, TJ, TM), European (AL, AT, BE, BG, CH, CY, CZ, DE, DK, EE, ES, FI, FR, GB, GR, HR, HU, IE, IS, IT, LT, LU, LV, MC, MK, MT, NL, NO, PL, PT, RO, SE, SI, SK, SM, TR), OAPI (BF, BJ, CF, CG, CI, CM, GA, GN, GQ, GW, ML, MR, NE, SN, TD, TG).

**Declarations under Rule 4.17:**

- as to applicant's entitlement to apply for and be granted a patent (Rule 4.17(ii))
- as to the applicant's entitlement to claim the priority of the earlier application (Rule 4.17(iii))
- of inventorship (Rule 4.17(iv))

**Published:**

- with international search report (Art. 21(3))
- before the expiration of the time limit for amending the claims and to be republished in the event of receipt of amendments (Rule 48.2(h))

[Continued on next page]

(54) Title: ARRANGEMENT AND METHOD FOR INDICATING UNDESIRABLE DETACHMENT OF A MILKING MEMBER FROM AN ANIMAL

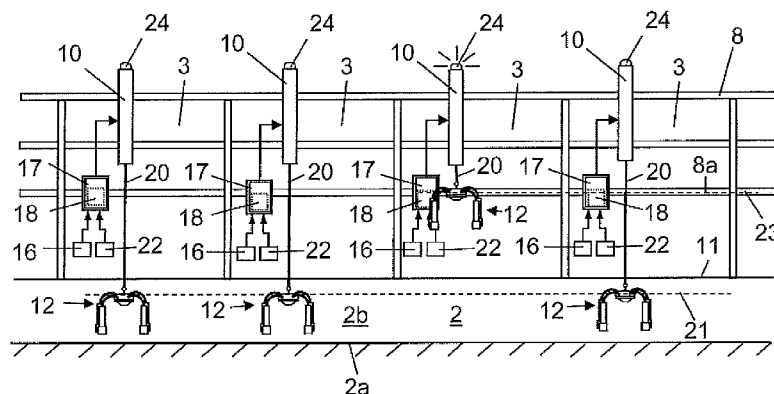


Fig 2

(57) Abstract: The invention relates to an arrangement and a method for indicating an undesired detachment of a milking member (12, 30a-d) from an animal in a milking stall (3, 25). The arrangement comprises a removing device (10, 34a-d) adapted to detach the milking member (12, 30a-d) from the animal and move it to a parking position when the milking process has been completed, and a supervision device adapted to supervise if the milking member (12, 30a-d) has been detached from the animal (1) before the milking process has been completed, and if this is the case, the removing device (10, 34a-d) is adapted to move the undesirably detached milking member (12, 30a-d) to an indicating position (23, 42) located at a distance from the parking position (21, 37).



**(88)** Date of publication of the international search report:  
25 August 2011

# INTERNATIONAL SEARCH REPORT

International application No  
PCT/EP2010/063355

**A. CLASSIFICATION OF SUBJECT MATTER**  
INV. A01J5/017  
ADD.

According to International Patent Classification (IPC) or to both national classification and IPC

**B. FIELDS SEARCHED**

Minimum documentation searched (classification system followed by classification symbols)  
A01J A01K

Documentation searched other than minimum documentation to the extent that such documents are included in the fields searched

Electronic data base consulted during the international search (name of data base and, where practical, search terms used)

EP0-Internal

**C. DOCUMENTS CONSIDERED TO BE RELEVANT**

Category*	Citation of document, with indication, where appropriate, of the relevant passages	Relevant to claim No.
A	US 2008/314322 A1 (STELLNERT MATS [SE] ET AL) 25 December 2008 (2008-12-25) paragraphs [0013] - [0016], [0 27] - [0053] -----	1-22
A	US 4 408 564 A (FLOCCHINI ANDREW J [US]) 11 October 1983 (1983-10-11) column 4, line 63 - column 5, line 10 column 7, lines 1-37 -----	1-22
A	WO 02/15676 A1 (IDENTO ELECTRONICS B V [NL]; LINGEN DAAN DANIEL V D [NL]; SLUIS PETER) 28 February 2002 (2002-02-28) page 2, line 25 - page 3, line 9 page 5, lines 7-29; figure 1 -----	1-22
A	EP 0 774 203 A1 (MAASLAND NV [NL]) 21 May 1997 (1997-05-21) the whole document -----	1-22

Further documents are listed in the continuation of Box C.

See patent family annex.

\* Special categories of cited documents :

- "A" document defining the general state of the art which is not considered to be of particular relevance
- "E" earlier document but published on or after the international filing date
- "L" document which may throw doubts on priority claim(s) or which is cited to establish the publication date of another citation or other special reason (as specified)
- "O" document referring to an oral disclosure, use, exhibition or other means
- "P" document published prior to the international filing date but later than the priority date claimed

- "T" later document published after the international filing date or priority date and not in conflict with the application but cited to understand the principle or theory underlying the invention
- "X" document of particular relevance; the claimed invention cannot be considered novel or cannot be considered to involve an inventive step when the document is taken alone
- "Y" document of particular relevance; the claimed invention cannot be considered to involve an inventive step when the document is combined with one or more other such documents, such combination being obvious to a person skilled in the art.
- "&" document member of the same patent family

Date of the actual completion of the international search  <p style="text-align: center; font-size: 1.2em;">30 June 2011</p>	Date of mailing of the international search report  <p style="text-align: center; font-size: 1.2em;">06/07/2011</p>
--	---

Name and mailing address of the ISA/ European Patent Office, P.B. 5818 Patentlaan 2 NL - 2280 HV Rijswijk Tel. (+31-70) 340-2040, Fax: (+31-70) 340-3016	Authorized officer  <p style="text-align: center; font-size: 1.2em;">Simson, Guenter</p>
--	--

# INTERNATIONAL SEARCH REPORT

Information on patent family members

International application No

PCT/EP2010/063355

Patent document cited in search report	Publication date	Patent family member(s)	Publication date	
US 2008314322	A1	25-12-2008	CN 101677519 A	24-03-2010
			EP 2160092 A1	10-03-2010
			EP 2277373 A2	26-01-2011
			WO 2009002259 A1	31-12-2008
			US 2010236487 A1	23-09-2010
-----				
US 4408564	A	11-10-1983	NONE	
-----				
WO 0215676	A1	28-02-2002	AT 290309 T	15-03-2005
			AU 9436601 A	04-03-2002
			DE 60109303 D1	14-04-2005
			DE 60109303 T2	02-03-2006
			EP 1311152 A1	21-05-2003
			ES 2234894 T3	01-07-2005
			NL 1016023 C2	26-02-2002
			PT 1311152 E	30-06-2005
			US 2005072363 A1	07-04-2005
-----				
EP 0774203	A1	21-05-1997	AU 697944 B2	22-10-1998
			AU 7181496 A	22-05-1997
			DE 69613541 D1	02-08-2001
			DE 69613541 T2	25-04-2002
			JP 9168343 A	30-06-1997
			NL 1001646 C2	21-05-1997
			US 5718186 A	17-02-1998
-----				