



US00D741238S

(12) **United States Design Patent**
Chung

(10) **Patent No.:** **US D741,238 S**

(45) **Date of Patent:** **** Oct. 20, 2015**

- (54) **AUTOMOTIVE WHEEL**
- (71) Applicant: **Suny Chung**, Anaheim, CA (US)
- (72) Inventor: **Suny Chung**, Anaheim, CA (US)
- (**) Term: **14 Years**
- (21) Appl. No.: **29/486,742**
- (22) Filed: **Apr. 2, 2014**
- (51) **LOC (10) Cl.** **12-16**
- (52) **U.S. Cl.**
USPC **D12/209**
- (58) **Field of Classification Search**
USPC D12/204–213
CPC B60B 7/00; B60B 7/02; B60B 7/04;
B60B 7/01; B60B 7/06; B60B 3/02; B60B
3/04; B60B 3/06; B60B 3/10; B60B 1/00;
B60B 1/08; B60B 1/10; B60B 1/12
See application file for complete search history.

D645,390 S *	9/2011	De Bono	D12/209
D646,212 S *	10/2011	Ettensberger	D12/211
D649,102 S *	11/2011	Gallert	D12/211
D649,103 S *	11/2011	Gallert	D12/211
D670,630 S *	11/2012	Flueckiger	D12/209
D673,099 S *	12/2012	Ender	D12/211
D689,421 S *	9/2013	Wachter	D12/211
D710,780 S *	8/2014	Borkert	D12/211

* cited by examiner

Primary Examiner — Stacia Cadmus

(56) **References Cited**

U.S. PATENT DOCUMENTS

D534,473 S *	1/2007	Bernoni	D12/211
D629,733 S *	12/2010	Tirado	D12/211

(57) **CLAIM**

The ornamental design for an automotive wheel, as shown and described.

DESCRIPTION

FIG. 1 is a perspective view of an automotive wheel, showing my new design; and, FIG. 2 is a front view thereof. The broken line showing of the rear portion of the wheel is included for the purpose of illustrating environment and forms no part of the claimed design.

1 Claim, 2 Drawing Sheets

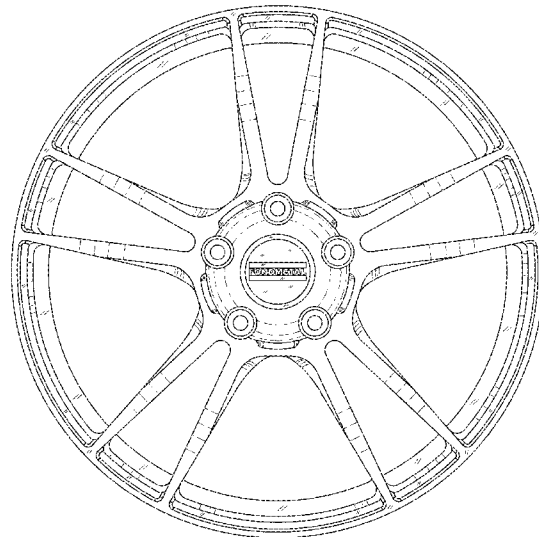
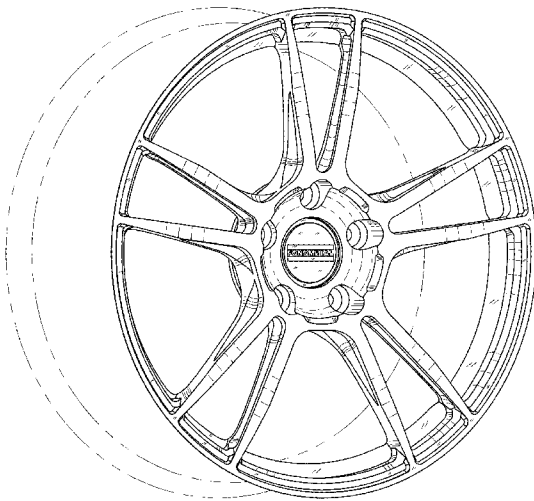


FIGURE 1

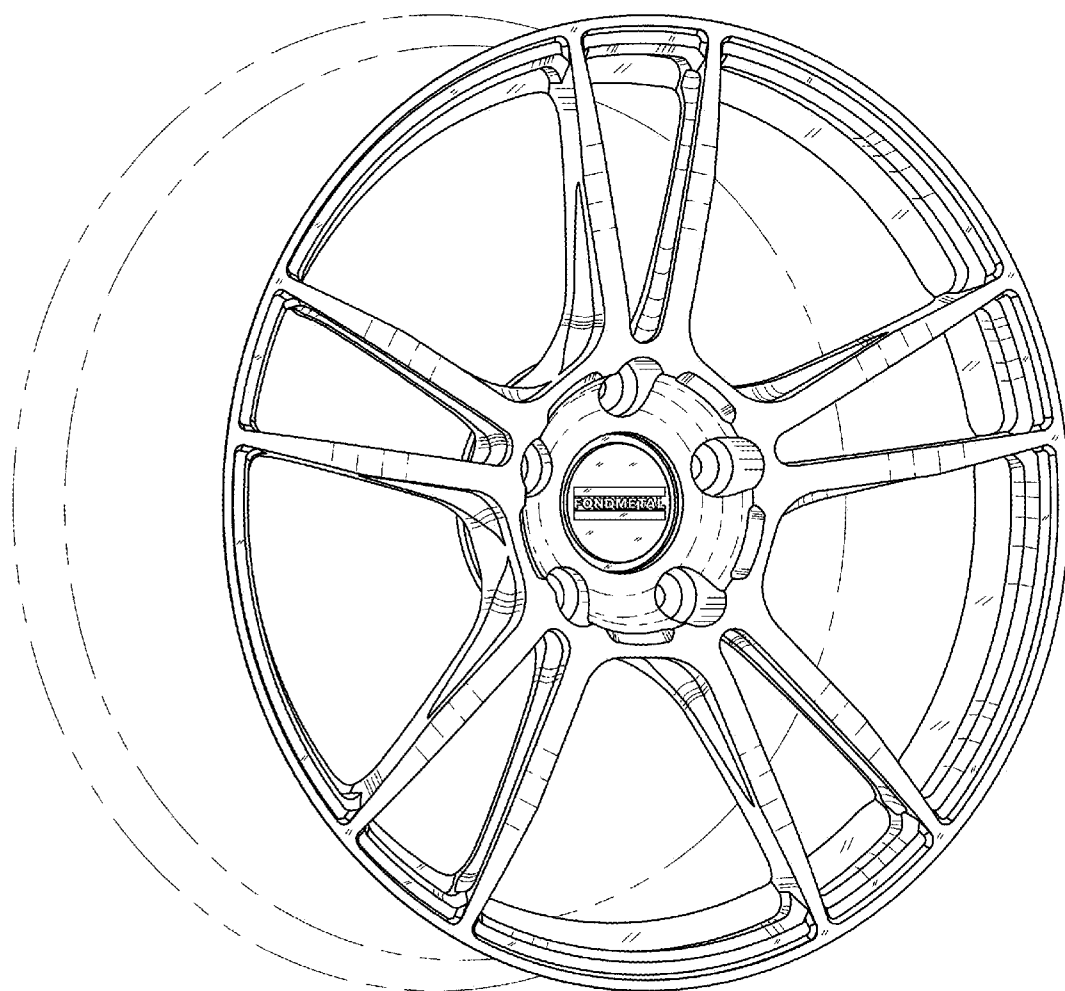


FIGURE 2

