



US00D44537S

(12) **United States Design Patent** (10) **Patent No.:** **US D445,337 S**
Croft et al. (45) **Date of Patent:** **** Jul. 24, 2001**

(54) **CONSUMABLES CONTAINER**
(75) Inventors: **Robert John Croft**, Jersey City; **Jim Frances Warner**, Hoboken, both of NJ (US)

2,121,041 6/1938 Morgan .
2,297,285 9/1942 Bledsoe .

(List continued on next page.)

FOREIGN PATENT DOCUMENTS

(73) Assignee: **Recot, Inc.**, Pleasanton, CA (US)
(**) Term: **14 Years**

2646071 4/1989 (FR) .
WO 92/04243 3/1992 (WO) .

OTHER PUBLICATIONS

(21) Appl. No.: **29/122,608**
(22) Filed: **Apr. 28, 2000**

Advertisement by Land O' Lakes showing a personal size container for beverages, trademarked as the "Grip". It also has a resealable top.

(51) **LOC (7) Cl.** **09-01**
(52) **U.S. Cl.** **D9/504; D9/530; D9/557; D9/569; D9/450**
(58) **Field of Search** **D9/438, 445, 450, D9/416, 500, 502, 503, 504, 509, 511, 513, 516, 518, 529, 530, 536, 537, 539-542, 549, 558, 569, 574; 215/381-384, 396, 398; 220/906**

Primary Examiner—Philip S. Hyder
Assistant Examiner—Carol Rademaker
(74) *Attorney, Agent, or Firm*—Colin P. Cahoon; Carstens, Yee & Cahoon

(57) **CLAIM**

The ornamental design for a consumables container, as shown and described.

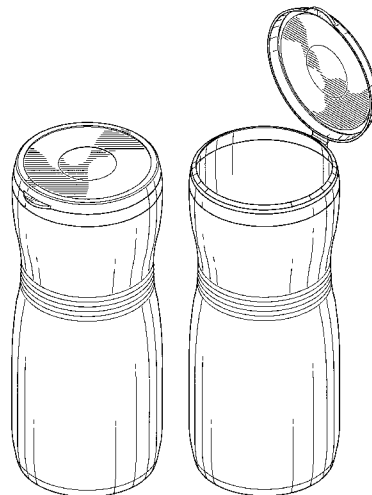
(56) **References Cited**
U.S. PATENT DOCUMENTS

DESCRIPTION

Re. 30,805	11/1981	Rhoads .	
D. 187,162	* 2/1960	Lerner et al.	D9/502
D. 246,896	1/1978	Plummer .	
D. 247,471	3/1978	Strand .	
D. 247,472	3/1978	Byrne .	
D. 247,847	5/1978	Kretz .	
D. 254,840	4/1980	Aldrich, III .	
D. 266,648	* 10/1982	Plewes et al.	D9/503
D. 285,656	* 9/1986	Champion	D9/503
D. 321,649	* 11/1991	Lambe, Jr. et al.	D9/503
D. 333,268	* 2/1993	Arlinghaus et al.	D9/538
D. 345,695	4/1994	Frazer et al. .	
D. 353,328	* 12/1994	Nuffer	D9/446
D. 371,304	7/1996	Onneweer .	
D. 405,372	* 2/1999	Yucknut	D9/504
D. 408,689	* 4/1999	Kato	D7/608
D. 418,758	* 1/2000	Yucknut	D9/500
D. 427,427	* 7/2000	Davis	D3/203
D. 428,813	* 8/2000	Haley	D9/500
2,076,132	4/1937	Le Rose .	

FIG. 1 is a perspective view of the consumables container of the present invention;
FIG. 2 is a top plan view of the consumables container of FIG. 1;
FIG. 3 is a front view in elevation of the consumables container of FIG. 1 as seen from the front of FIG. 1;
FIG. 4 is a side view in elevation of the consumables container of FIG. 1 as seen from the right-hand side of FIG. 1, the left-hand side of FIG. 1 being a mirror image of FIG. 4;
FIG. 5 is a rear view in elevation of the consumables container of FIG. 1 as seen from the back of FIG. 1;
FIG. 6 is a bottom plan view of the consumables container of FIG. 1;
FIG. 7 is a perspective view with top open of the consumables container of the present invention; and,
FIG. 8 is a side view in elevation of the consumables container of FIG. 7 as seen from the right side of FIG. 7.

1 Claim, 3 Drawing Sheets



U.S. PATENT DOCUMENTS						
			3,967,756	*	7/1976	Barish 221/63
			4,054,220		10/1977	Rosenstein .
2,346,417	4/1944	Cornwell .	4,190,168		2/1980	Jacques .
2,533,349	12/1950	Burger .	4,483,890		11/1984	Beery et al. .
2,543,427	2/1951	Warne .	5,139,163	*	8/1992	Diaz 220/258
2,619,245	11/1952	Levi .	6,006,945		12/1999	Kirkland .
3,021,977	2/1962	Hester .				
3,760,968	9/1973	Amberg et al. .				

* cited by examiner

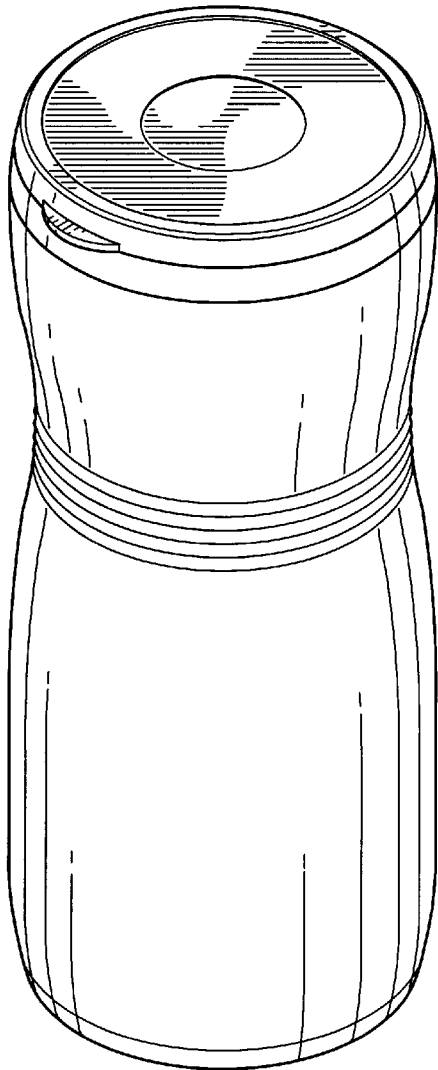


FIG. 1

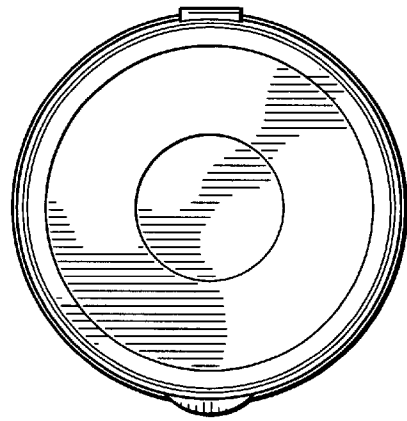


FIG. 2

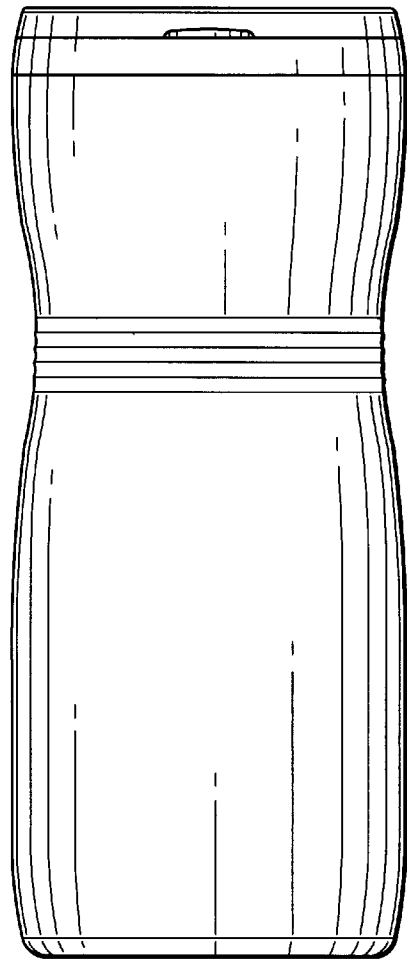


FIG. 3

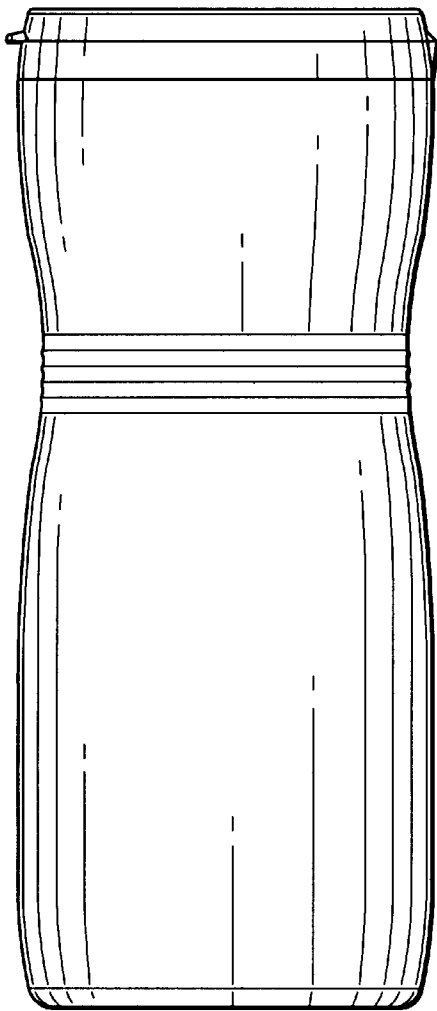


FIG. 4

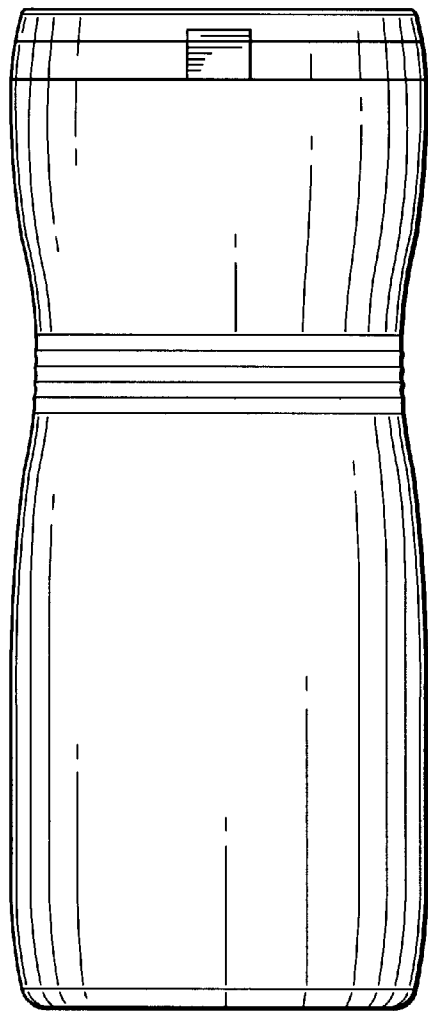


FIG. 5

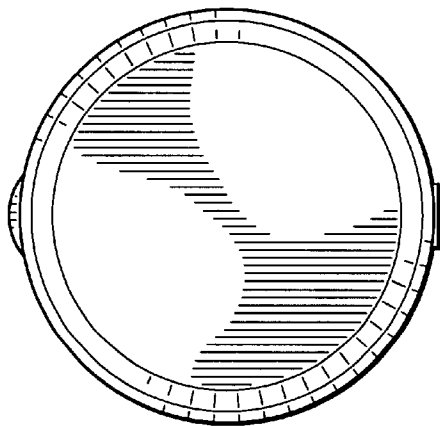


FIG. 6

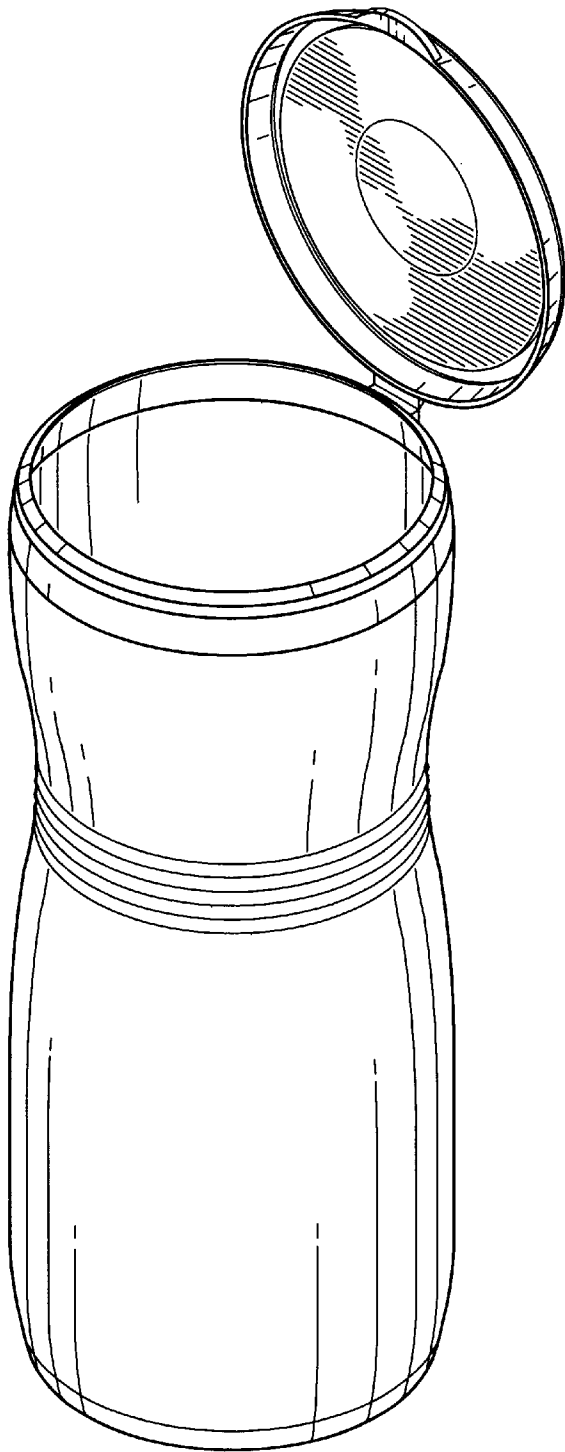


FIG. 7

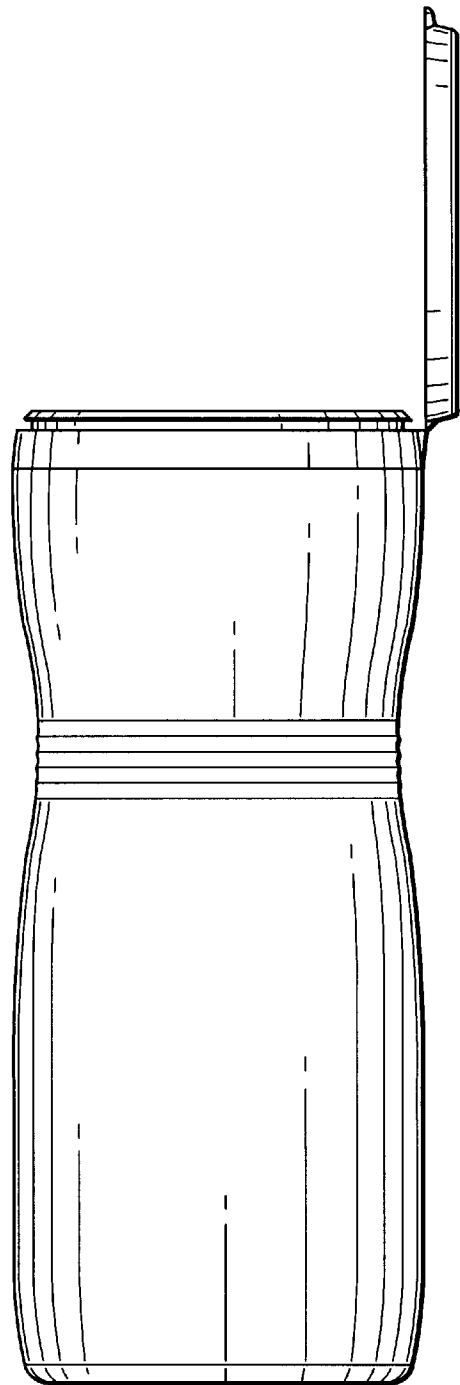


FIG. 8